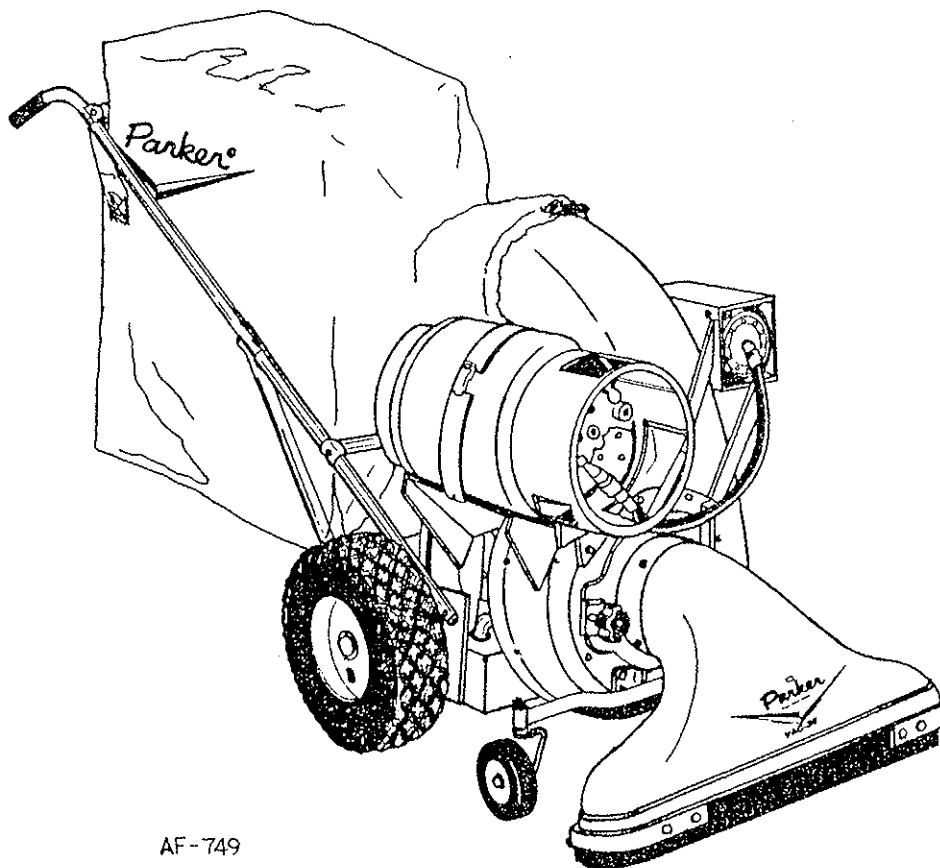


OWNER'S GUIDE



VACUUM SWEEPER VAC-35 LP ENGINE

MODEL NO. PV-8808-K-LP



AF-749

READ THESE INSTRUCTIONS BEFORE SETTING UP AND OPERATING MACHINE

BE SAFE. PROTECT YOUR FAMILY, YOUR FRIENDS, YOURSELF.
OBSERVE ALL SAFETY INSTRUCTIONS.

PARKER SWEEPER COMPANY

Box 1728

Springfield, Ohio 45501-1728

Plate No. 1302

87-194-A

TO THE OWNER

These instructions were written to assist you in the assembly and operation of your Vac-35. **READ THE INSTRUCTIONS** thoroughly **BEFORE** attempting to assemble and operate the machine so that you are familiar with the complete procedure and the safety precautions.

RULES FOR SAFE OPERATION



The following safety precautions are suggested to prevent damage to the equipment or injury to the operator or nearby persons.

1. Do not allow anyone to operate the Vac-35 without proper instructions.
2. Do not permit children to operate the Vac-35.
3. Do not sweep too close to fire. Ingesting hot ashes or cigarette butts will ignite the Bag.
4. Stop the engine before reaching into the Intake Housing or discharge chute to dislodge sticks or other debris.
5. Stop the engine before attempting to make any adjustment or performing any maintenance work on the Vac-35.
6. When working on the engine, always remove the spark plug wire from the engine and attach it to the clip on the engine head.
7. Do not run the engine in an enclosed area. Exhaust gases contain carbon monoxide, an odorless and deadly poison.
8. While machine is running, do not leave it unattended.
9. Before using the machine to pick up debris, police the area to be cleaned first, picking up any large objects such as glass, toys, dog bones and chunks of wood. If these pass through the machine, they could damage the impeller, bend the engine crankshaft or put a hole in the bag.
10. Avoid using the machine in dangerous places where steep slopes or loose debris will endanger the safety of the operator or other people.
11. Keep all nuts, bolts and screws tight to be sure the Vac-35 is in safe working condition.
12. Follow the maintenance instructions as outlined in this manual.
13. Do not start or run engine unless Bag and Intake Housing are properly secured as injury may result.

IMPORTANT

ALWAYS GIVE THE FOLLOWING INFORMATION WHEN ORDERING REPAIR PARTS:

- | | |
|-------------------------------|------------------------|
| 1. Part Number (Not Ref. No.) | 3. Description of Part |
| 2. Quantity Needed | 4. Model No. of Vac-35 |

If unable to obtain parts locally, write down above information and send to:
PARKER SWEEPER CO., BOX 1728, SPRINGFIELD, OHIO 45501

Your unit is right hand (R.H.) or left hand (L.H.) as you stand behind it.

ASSEMBLY INSTRUCTIONS

NOTE: Numbers in parenthesis refer to those used in AF-746, "HOUSING ASSEMBLY" on plate no. 1259 to the back of this owner's guide.

TO ASSEMBLE SPIN-PAK®

1. Remove the Hex Lock Nuts (42), Flatwashers (28), and Hex Hd. Bolts (30) from the three upper holes used to secure the Retaining Ring (41) to Housing Assembly (1).

NOTE: Do Not remove bottom bolt or Retaining Ring (41) from Housing Assembly (1).

2. Align holes in Spin-Pak® (2) with the three in Retaining Ring (41) and Housing Assembly (1).
3. Replace hardware removed in step 1 and tighten.

ATTACHING INTAKE HOUSING

1. Insert Hinge Bosses, on Collar (21) of Intake Housing (20) behind the Hinge Extensions on Front Cover Assembly (7).
2. Swing Intake Housing (20) to lay flat against Front Cover Assembly (7).
3. Secure by placing Flatwasher (9) and Adjusting Knob (8), on Pivot Bolt, over the Collar (21) of Intake Housing (20) and tighten Adjusting Knob (8).

NOTE: Numbers, in parenthesis refer to those used in AF-747, "HANDLE ASSEMBLY" on plate no. 1257 to the back of this owner's guide.

ATTACHING DUST BAG

1. Loop top Bag Straps over Upper Handles (3 & 4).
2. Slip neck of Dust Bag (1) over Spin-Pak®. Until Tie Strap can be pulled tightly around neck of Housing, just over bead of Retaining Ring. Bead must be covered.
3. Attach Bag Hooks to front Bag Straps and hook over Lower Cross Brace (8).

IMPORTANT: Failure to attach the front Bag Straps to Lower Cross Brace will cause premature wear of Dust Bag, on the bottom and neck around Spin-Pak®. The Spin-Pak® may also break due to excessive weight from Dust Bag.

L.P. FUEL TANK HOOK-UP

WARNING: Proper assembly of replacement parts is the responsibility of the owner or mechanic doing the work. Parker Sweeper Company will not recommend or supply replacement parts for liquid propane units. Parts listed on repair parts list are for reference only. As technology continues to change, the manufacturer should be consulted for recommendation of repair parts and instructions for their assembly.

NOTE: Only authorized L.P. mechanics familiar with current NFPA regulations should attempt to repair or replace L.P. parts. Failure to comply with this requirement could result in serious damage, fire, explosion or asphyxiation. This applies to the following instructions.

NOTE: Numbers in parenthesis refer to those used in AF-277 "L.P. GAS GROUP" on plate no. 1261 to the back of this owner's guide.

1. The Liquid Propane Vac-35 requires a 20pound Vapor Withdrawal Fuel Tank. This tank can be purchased separately from Parker Sweeper (item 11 will be included). If purchased from a local L.P. fuel supplier, they will need to install the Street Elbow which always remains with the tank.
2. Place tank in Tank Bracket Weldment (13) making sure vertical pin is through hole in tank collar. This places the relief valve so that any fuel discharged is directed UPWARD. As required by government regulations for the L.P. fuel tanks.
3. Secure tank with Strap Weldment (14).
4. Remove male half (17) from quick disconnect coupling and thread on to street elbow (11).
5. Attach hose (7) to tank by threading female half (16) of quick disconnect coupling to male half (17).
6. See Operating Instructions for procedure to be used in starting engine with L.P. fuel.

WARNING

Make a thorough inspection to see that all fastenings are tight and all parts are properly installed. DO NOT start engine without Intake Housing and Dust Bag in place.

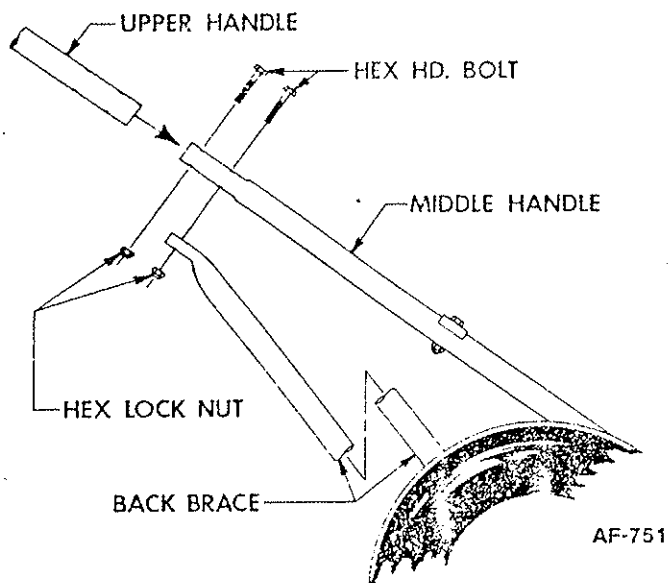
BE SAFE.

**PROTECT YOUR FAMILY,
YOUR FRIEND, YOURSELF.
OBSERVE ALL SAFETY INSTRUCTIONS**

ASSEMBLY INSTRUCTIONS

YOUR SAFETY IS OUR CONCERN. READ ALL SAFETY RULES AND OPERATING INSTRUCTIONS BEFORE ATTEMPTING TO OPERATE THIS EQUIPMENT. FAILURE TO FOLLOW SAFETY RULES AND OPERATING INSTRUCTIONS MAY RESULT IN SERIOUS INJURY.

1. The VAC-35 covered in this owner's guide is shipped complete in one box. Follow all instructions on assembly very carefully.
2. Unpack Intake Housing, Spin-Pak®, Handle Assembly and Bag.
3. Tip box over so wheels are toward floor. Pull unit out of box and stand upright.
4. **DO NOT** discard the carton or any of the inserts until the unit is completely assembled.
5. All hardware is on the unit in it's proper location. If something is missing, notify the dealer/distributor where unit was purchased. If unable to purchase parts locally, contact the Parker Sweeper Company.
6. Whenever the terms left or right hand, or "L" and "R" are used, it means from a position standing behind the unit facing forward.



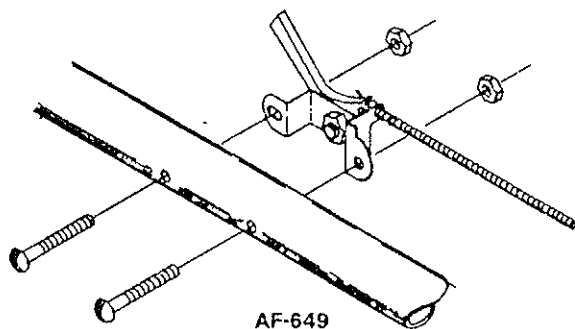
NOTE: Numbers in parenthesis refer to those used in AF-747, "HANDLE ASSEMBLY" on plate no. 1257 to the back of this owner's guide.

HANDLE ASSEMBLY

1. Remove Hex Hd. Bolts (18) and Hex Lock Nuts (25) from the bottoms of Upper Handles (3&4).
2. Place Upper Handles over the ends of Middle Handles (5).
3. Align the lower holes in both Upper and Middle Handle Assemblies. Replace a Hex Hd. Bolt (18), removed in step 1, to each of the lower holes.
4. Lift Handles until Back Braces (6) can be assembled to Hex Hd. Bolts (18) and reassemble Hex Lock Nuts (25). Do Not Tighten.

5. Align the upper holes in both Upper and Middle Handle Assemblies. Replace remaining Hex Hd. Bolts (18) and Hex Lock Nuts (25). Do Not Tighten.
6. Check alignment of Handle Assembly. The Hex Lock Nuts (25) have been left loose to allow movement between holes and Hex Hd. Bolts (18). Do not bend tubing to accomplish proper alignment. Once Handles are aligned, tighten all Hex Lock Nuts (25).

NOTE: Nuts should be tightened enough that at least two of the Bolts threads extend through Nut. It may be necessary to collapse tubing SLIGHTLY to accomplish this.



THROTTLE HOOK-UP

1. Remove Throttle Control Assembly (16) from shipping position. Straighten cable and run up outer left hand side of Handle Assembly.
 2. Remove the Hex Lock Nuts (24) and Round Head Screws (17) from Throttle Control Assembly (16).
 3. Align holes in Throttle Control with those in left Upper Handle (4).
 4. Reassemble Round Head Screws (17), from inside of Handles, and secure with Hex Lock Nuts (24).
 5. Secure Throttle Control Cable to Handle with Snap-On Clamps (14).
- NOTE: Be sure not to place any bends in Throttle Control Cable less than 8 inches radius.

**SAFETY IS IMPORTANT!
DO NOT IGNORE IT — OBSERVE IT!
BE SAFE**

OPERATING INSTRUCTIONS

NOTE: FAILURE TO OBSERVE SAFETY INSTRUCTIONS MAY RESULT IN SERIOUS INJURY.

LIQUID PROPANE FUEL

CAUTION: When installing fuel tanks, new or refills, be sure they comply with the following specifications:

1. ICC-4BA240. W.P. 240 PSI.
2. Mounted horizontally — vapor withdrawal.
3. 20# Propane 10" dia. collar.

These specifications are also printed on the fuel tank support.

IMPORTANT: Check your local, state and federal regulations for using liquid propane fuel to be sure you comply with all requirements.

TO START LIQUID PROPANE UNIT:

IMPORTANT: Read the Engine manual CAREFULLY before operating the VAC-35.

Before starting the Engine read and understand the following:

1. Be sure the Engine crankcase is filled with the proper type and amount of oil.
2. Spin Pak® is in place.
3. Dust Bag or Discharge Hose is in place.
4. Intake Housing or Hose Kit is attached to the Fan Housing.
5. Open fuel line valve at tank.
6. Set throttle in closed position.
7. Pull starter rewind cable 3 or 4 times. This will open automatic shut-off valve allowing fuel to enter engine. Engine may start at this time. If not, open throttle 1/4 to 1/2 and pull starter rewind cable 3 or 4 more times to start engine. Open throttle to full position after engine starts.
8. If engine fails to start, carburetor may need adjusting. NOTE: This should be done only by an authorized L.P. mechanic.

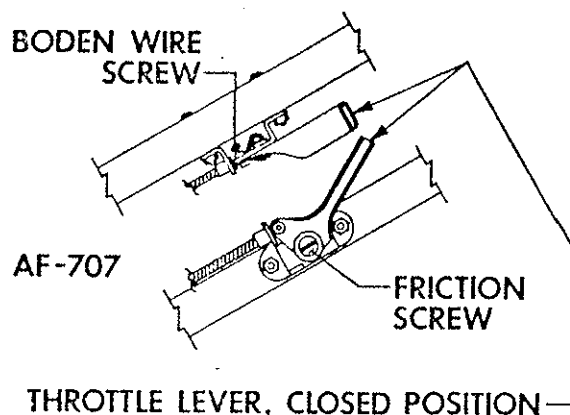
Turn in main fuel jet until it is closed. Back out 1 1/4 turns. This should be the position to allow the engine to start. After engine has been warmed up, adjust main jet for final running position by turning slowly in either direction until the engine performance is satisfactory.

9. When stopping engine, shut off fuel at tank and run engine until it stops. This removes pressure from the valves and regulators and lengthens their life. Also, this reduces danger from fuel leakage while engine is not used. This procedure is mandatory under National Fire Protection Assoc. Document 58, "Storage and Handling Liquid Petroleum Gases, 1979."
10. Extra filled tanks should be stored on steel rack with tank horizontal and arrow and relief valve up.

THROTTLE OPERATION AND ADJUSTMENT

1. The throttle control on handle is a remote for the throttle control on engine. Pull the throttle lever back, toward operator, to open throttle for starting or speed control.

2. To stop unit move throttle lever to the closed position and
3. If engine is not stopping when throttle lever is in the closed position, loosen boden wire screw and move throttle lever on engine to stop position. Retighten boden wire screw.
4. While operating, if throttle lever does not stay open due to vibration of unit, tighten friction screw until there is sufficient friction to hold throttle open.



OPERATING NOTES

1. The efficiency of this unit depends on the breathing capacity of the Dust Bag. Under extremely dusty conditions the bag should be emptied and cleaned frequently. Always empty and clean bag before storing after use. Debris allowed to remain in the bag may cause spontaneous combustion, resulting in an explosion or fire.
2. Heavy concentrations of sand and gravel should be avoided. These materials are extremely abrasive, and while the VAC-35 will handle moderate amounts of these materials, it was not designed for heavy applications. Treat the VAC-35 with the reasonable care and it will provide long, trouble-free service.
3. The VAC-35 will handle most common kinds of debris found around industrial plants, commercial buildings, homes, and farms. Acid contaminated materials, magnesium, dust and other DANGEROUS DEBRIS should not be handled with the VAC-35 unless approved by a regulating authority expert in the handling of such hazardous materials.
4. When using hose attachment, keep it away from engine exhaust system and other parts of the engine that may be hot enough to burn plastic hose.
5. The Vac-35 is equipped with adjustable front Casters which provide any height adjustment of Intake Housing that may be needed.

DANGER: Improper use of this equipment may result in serious injury.

OPTIONAL ACCESSORIES

NOTE: Accessory Number and Price List can be obtained from a local distributor.

24" INTAKE HOUSING: For sweeping in narrow aisles or in areas where heavier objects are to be collected.

36" INTAKE HOUSING: Ideal for sweeping lighter weight debris and in larger, open areas.

30" INTAKE HOUSING FRONT GATE: Allows convenient and adjustable intake of larger debris and trash.

HOSE ATTACHMENT 8" DIA.: 15 ft. length overall, fits all VAC-35 models. Attaches to impeller housing for cleaning debris from hard-to-reach areas.

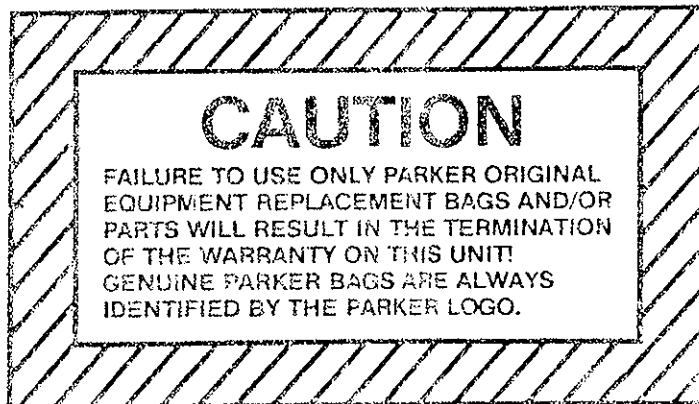
HOSE ATTACHMENT 6" DIA.: 15 ft. length overall, fits all VAC-35 models. Attaches to impeller housing for cleaning debris from hard-to-reach areas.

HOSE ATTACHMENT 4" DIA.: 15 ft. length overall, fits all VAC-35 models. Attaches to impeller housing for cleaning debris from hard-to-reach areas.

SCRAPER BRUSH KIT: Installs inside rear or intake housing. Loosens debris which adheres to surface. (Available for 30" intake housing only.)

MAGNETIC ROD KIT: Assembles to front of intake housing. Attracts metal objects. (Available for 30" intake housings only.)

LUMITE® BAG: 10 cu. ft. capacity, polypropylene material. Won't fade, shrink, mildew or rot. Use when gathering damp or wet material.



MAINTENANCE INSTRUCTIONS

LUBRICATION

1. Oil the Dual Caster Wheel Assembly where Axle Support Weldment assembles to Pivot Pin. Also oil Axle Weldments where they assemble through Axle Support Weldment.
2. Add a few drops of oil to the Throttle Control Cable and Wire to keep it operating smoothly.
3. Grease fittings are located in the hubs of the rear wheels. Fresh grease should be added periodically to assure proper lubrication of Wheels.

NOTE: Check all items once a week if unit is used daily.

NOTE: Refer to engine operating instructions for proper lubrication of the engine.

DUST BAG CARE

1. Keep the Dust Bag clean at all times.
2. To clean the Dust Bag, turn the bag inside out and reattach to the sweeper.
3. Start the engine and run at full throttle. Lightly tap the bag to release the dust trapped in the weave.
4. When the bag is clean, remove it and turn it right side out again. Reattach to the sweeper and resume sweeping.
5. DO NOT wash the Dust Bag to clean.

READ SAFETY & OPERATING INSTRUCTIONS BEFORE OPERATING EQUIPMENT.

WARRANTY INFORMATION

Parker Sweeper Company warrants each new piece of equipment manufactured under its name except engines, transmissions, differentials and regulators where applicable to be free from defects in materials and workmanship under normal use and service. Parker Sweeper Company's obligation is limited to repair or replacement, at its option for one (1) year (ninety (90) days for commercial service) from date of purchase.

If trouble should occur, please contact the companies listed, giving them all information: Name of unit purchased from company (Parker VAC PV-8808-K-LP), problem with part; when unit was purchased; model number of engine, etc., and your complete return address complete with zip code. Failure to provide complete information will result in unnecessary delay of repair and return of unit. Please contact the following companies that supply Parker Sweeper Co. with parts. Contact the company directly at the address listed if any problems should occur.

All parts listed are under the manufacturer's name and part number. Replacement parts should be purchased directly from the company listed with a complete description of the part and part number.

Parts listed under the Standard Parts can be purchased from most hardware stores.

Proper assembly of replacement parts is the responsibility of the owner or mechanic doing the work. Parker Sweeper Company warranty only applies to the original purchased unit. Under no circumstances does the warranty extend beyond the original time specified from date of purchase.

ENGINE

Kohler Co.
Kohler, Wisconsin 27249

L.P. PARTS:

Garretson Equipment Co.
P.O. Box 111
Mt. Pleasant, Iowa 52641

Gates Rubber Co.
990 South Broadway, P.O. Box 5887
Denver, Colorado 80217

Weatherhead Co.
300 E. 131 St.
Cleveland, Ohio 44108

A.J. Industries, Inc.
Impco Division
16916 Gridley Place
Cerritos, California 90701

Rego Dist.
5870 N. Rogers Ave.
Chicago, Illinois



HOW TO ORDER REPAIR PARTS

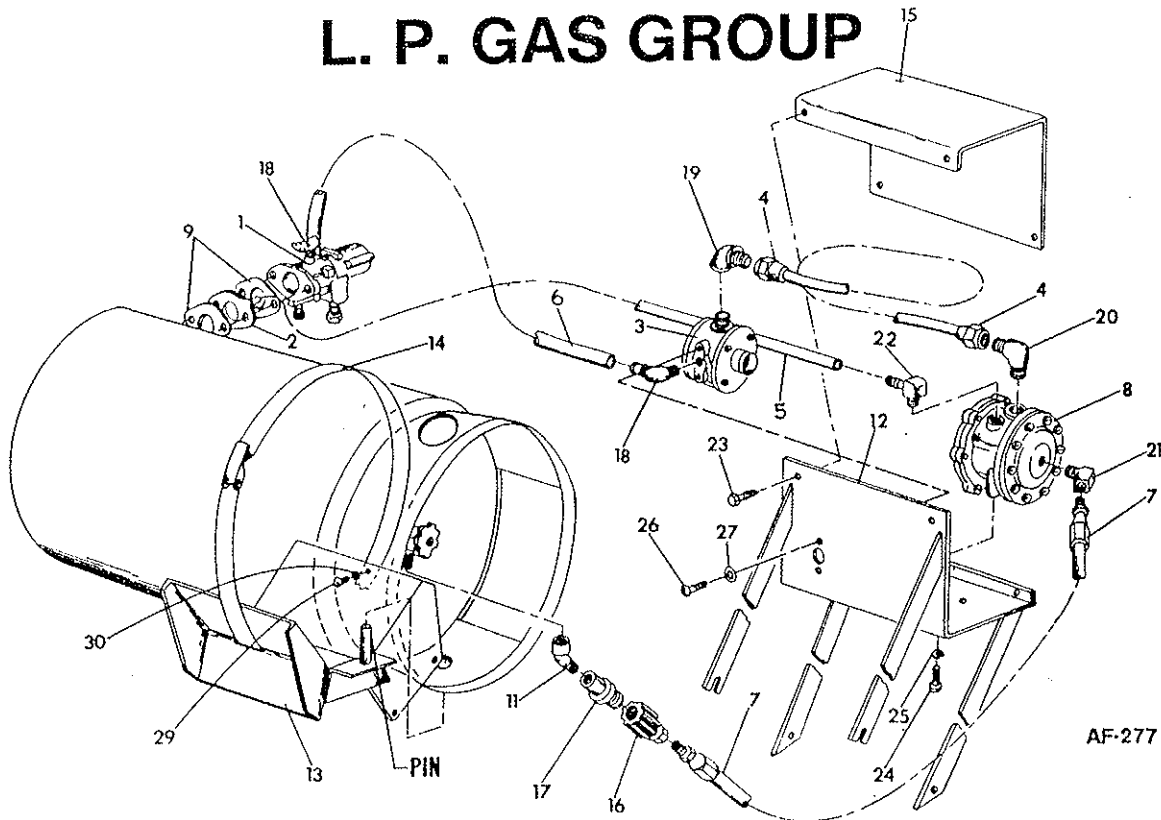
NOTE: When ordering service parts for any model VAC, follow the instructions listed below. By so doing, you will be assured of receiving the correct part in the shortest possible time.

1. Give the model and serial number found on the back of fan housing or back of chassis on the unit.
2. Write the complete part number as well as the description of the part, and quantity of part required.
3. Whenever the terms "left and right, or L and R" are used herein, it should be understood to mean from a position facing in direction of forward travel.

4. Give detailed shipping instructions, that is: whether shipment is to be parcel post, United Parcel Service, air express, freight or truck.

NOTE: Parker Sweeper Co. is continually striving to improve its products. We must, therefore, reserve the right to make improvements or changes, when it becomes practical and possible to do so, without incurring any obligation to make changes or additions to the equipment previously sold.

L. P. GAS GROUP



AF-277

NOTE: All parts listed are under the manufacturers' name and part number. Replacement parts should be purchased directly from each company listed with a complete description of the part and part number. Addresses of manufacturers who stock parts are listed on the page titled Warranty Information. Parts listed under the "Standard Parts" can be purchased from most hardware stores.

Ref. No.	Part No.	Qty.	Description	Ref. No.	Part No.	Qty.	Description
Garretson Parts							
1	220-0118	1	Carburetor	16	7141-F	1	Connector, Safety Check, Female, 1/4-18, 400 PSI
2	180-02	1	Idler Plate	17	7141-M	1	Connector, Male, Safety Check, 3/8-18, 400 PSI
3	074-131	1	Regulator, Pressure MD #S2				
4	491-12	1	Vapor Hose, Fuel Line, 12" Lg.				
5	457-99	1	Vacuum Line, 24" Lg., Hose				
Gates Rubber Company Parts				18	—	2	1/4 NPT Male x 90° Hose Barb
6	3220-E	1	Fuel Line Carburetor, 16" Lg., Hose	19	—	1	Street 90° Elbow, 5/8-18 x 1/4-18
Weatherhead Company Part				20	—	1	Male 90° Elbow, 3/8 Tube x 1/4 Pipe Thread
7	H-368-5	1	Fuel Line Inlet, 24" Lg.	21	—	1	Street Elbow 45°, 1/4-18 NPT
A. J. Industries Part				22	—	1	Male 1/8 NPT x 1/4 Hose Barb
8	VFF-30	1	Fuelock, Vacuum and Filter	23	72-416-10	4	Bolt, Self-Tapping Hex. Hd., 1/4-20 x 5/8
Kohler Company Part				24	65-416-12	2	Bolt, Hex. Hd., 1/4-20 x 3/4
9	210223	2	Gasket Carburetor	25	935-416	2	Lockwasher, Spring, 1/4
Imperial-Eastman Part or Equivalent				26	504-1032-8	2	Screw, Rd. Hd., 10-32 x 1/2
11	124-B	1	Street Elbow, Brass, 3/8 x 45°, 3000 lbs. Test	27	936-10	2	Lockwasher, Int. Tooth #10
Parker Sweeper Company Parts				29	515-10-6	1	Screw, Rd. Hd., 10-32 x 3/8
12	74-142-C	1	Regulator Bracket Weldment	30	346-10	1	Speed Nut, #10
13	65-565-C	1	Tank Bracket Weldment				
14	80-278-B	1	Strap Weldment				
15	85-63-C	1	Regulator Cover - Silkscreen				

HOUSING ASSEMBLY

PARTS LIST

Ref. No.	Part No.	Qty. Per Unit	Description
1	70-103-D ^f	1	Housing Assembly
2	85-110-B	1	Spin-Pak®
3	64-78-C	8	Anti-Wrap Segment
4	84-346-C	1	Back Plate & Gasket
5	72-241-B	1	Heat Shield
6	72-175-D	1	Fan Wheel
7	SA-1389-D	1	Front Cover Assembly
* 8	80-29-A	1	• Adjusting Knob
* 9	945-816	1	• Flatwasher, Plain 1/2
*10	63-190-A	1	• O-Ring Gasket
11	73-89-B	1	Mount Plate
12	73-94-A	1	Pivot Pin
13	83-211-B	1	Axle Support Weldment
14	82-138-B-3	2	Special Washer
15	86-108-B	2	Axle Weldment
16	84-300-C	2	Wheel
17	76-254-A	2	End Cap
18	79-16-A	6	Spacer
19	81-106-A	2	Cotter Pin
20	MA-251-D	1	30" Intake Housing Assembly

Items listed below should be purchased through a local hardware store except Items 24, 25, 26, 33, 41, and 43.

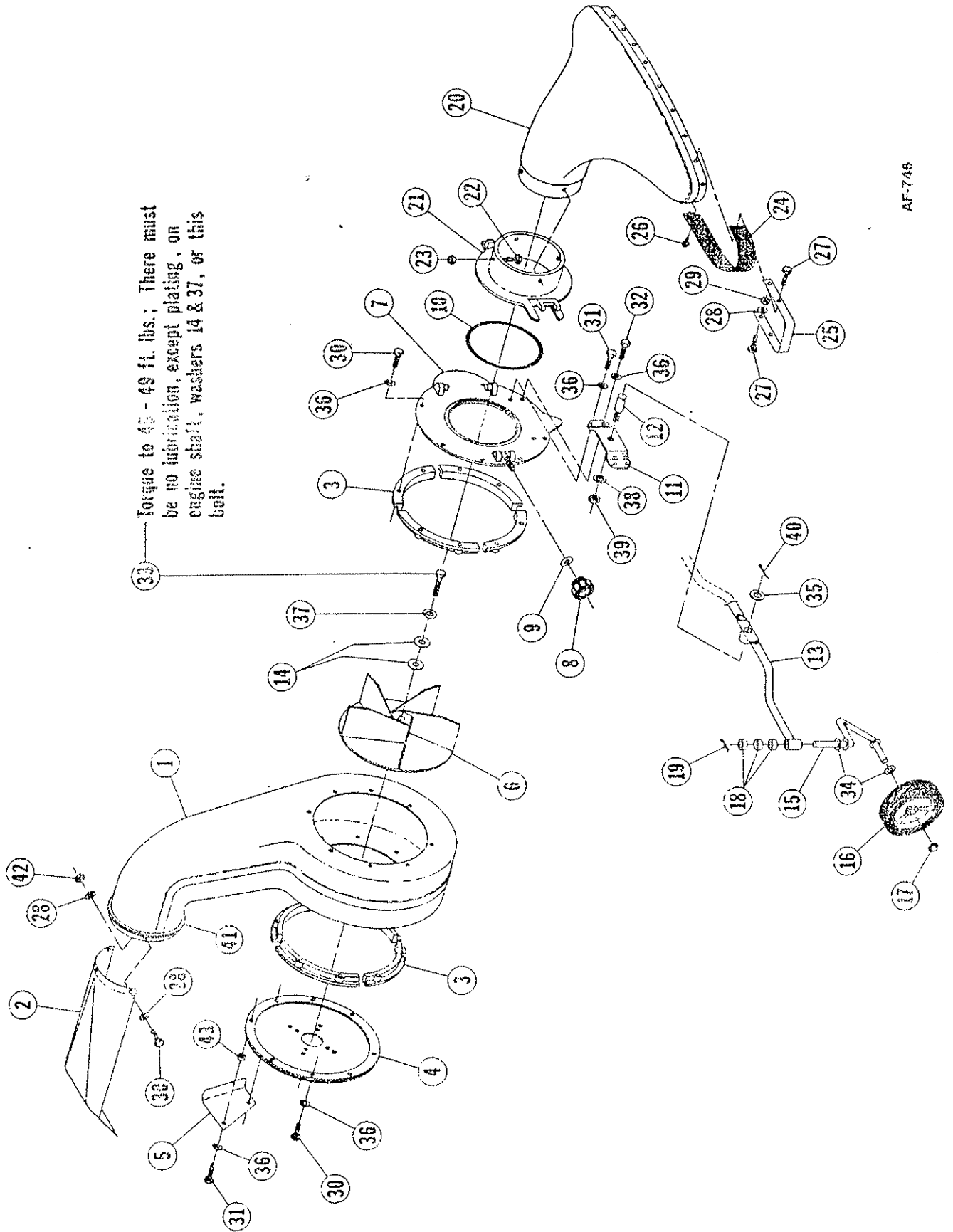
**21		1	Collar
**22	65-416-10	4	Bolt, Hex Hd. 1/4-20 x 5/8
**23	369-416	4	Nut, Serrated Hex Lock 1/4-20
**24	73-67-D	1	Skirt
**25	62-98-C	2	Guard
**26	80-332-A	15	Fastener
**27	65-416-12	8	Bolt, Hex Hd. 1/4-20 x 3/4
**28	945-416	16	Flatwasher, Plain 1/4
**29	364-416	8	Nut, Hex Lock (thin) 1/4-20
30	65-416-16	14	Bolt, Hex Hd. 1/4-20 x 1
31	65-416-20	4	Bolt, Hex Hd. 1/4-20 x 1 1/4
32	65-416-24	2	Bolt, Hex Hd. 1/4-20 x 1 1/2
***33	60-716-16	1	Bolt, Hex Hd. 7/16-20 x 1
34	945-816	4	Flatwasher, Plain 1/2
35	945-1216	1	Flatwasher, Plain 3/4
36	935-416	16	Lockwasher, Spring 1/4
37	935-716	1	Lockwasher, Spring 7/16
38	936-816	1	Lockwasher, Int. Tooth 1/2
39	345-816	1	Nut, Hex Jam 1/2-20
40	380-532-20	1	Cotter Pin 5/32 x 1 1/4
41	85-59-C	1	Retaining Ring
42	365-416	4	Nut, Hex Lock 1/4-20
43	54-227-A	2	Spacer

*Items 8, 9, & 10 are supplied with Item 7, but may be purchased separately.

**Items 21-29 are supplied with Item 20, but Items 24, 25 & 26 may be purchased separately.

***Item 33, Torque to 45 to 49 ft. lbs.

HOUSING ASSEMBLY



AF-748

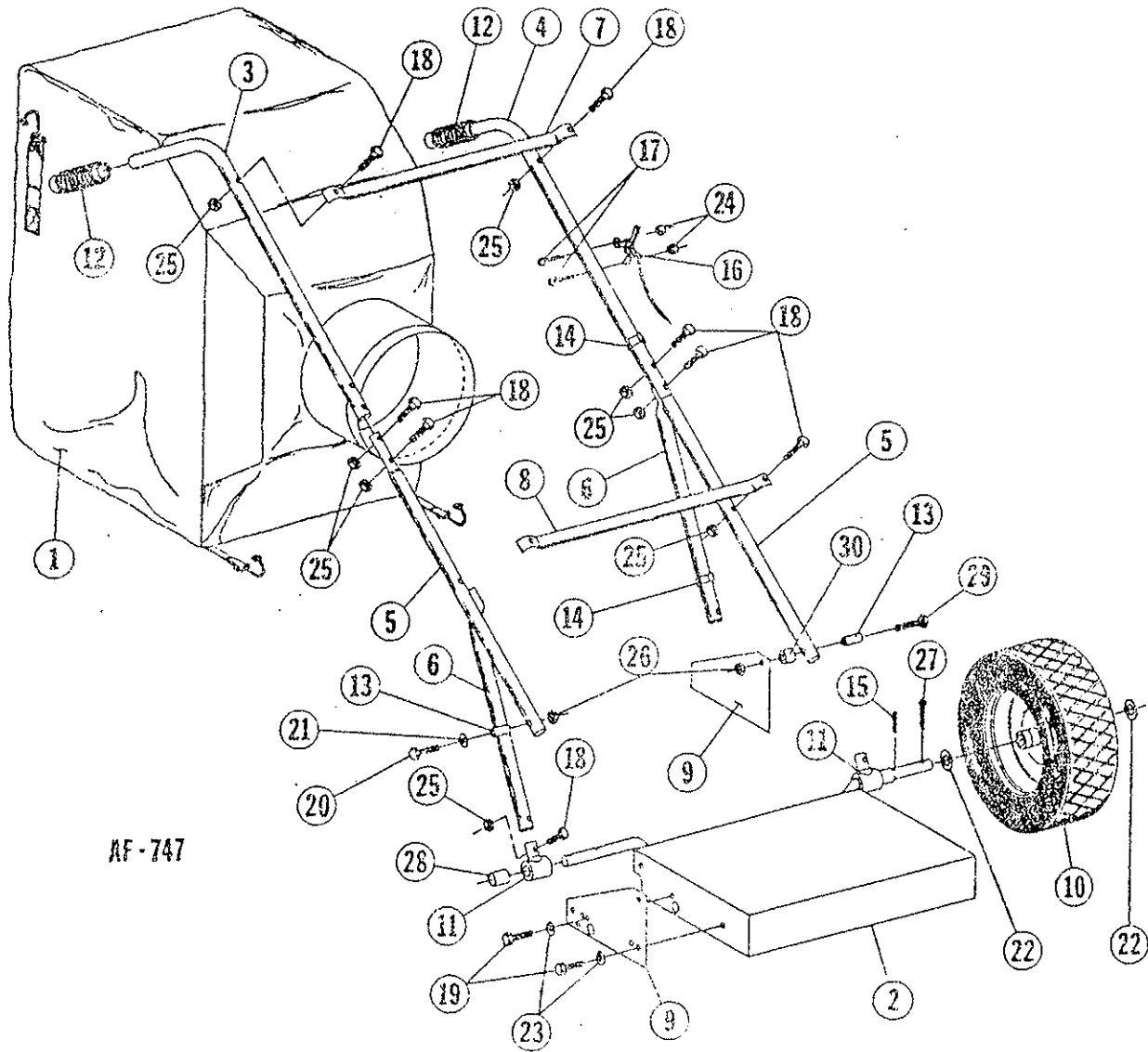
HANDLE ASSEMBLY

PARTS LIST

Ref. No.	Part No.	Qty. Per Unit	Description
1	MA-585	1	Dust Bag Assembly
2	83-138-C	1	Chassis Weldment
3	80-321-C	1	Upper Handle R.H.
4	83-18-C	1	Upper Handle L.H.
5	82-245-B	2	Middle Handle
6	85-45-C	2	Back Brace
7	81-04-B	1	Cross Brace, Upper
8	81-58-B	1	Cross Brace, Lower
9	73-362-C	2	Handle Bracket
10	SA-231-B	2	Wheel Assembly
11	85-44-B	2	Handle Back Brace Adaptor
12	80-232-A	2	Handle Grip
13	80-238-A	2	Insert
14	80-276-A	2	Clamp, Snap-on
15	84-103-A	2	Roll Pin .199/.194 Dia. x 1 1/2 Lg.
16	83-25-B-44	1	Throttle Control Assembly
*17	515-10-20	2	Screw, Rd. Hd. Mach. 10-24 x 1 1/4
*18	65-416-24	10	Bolt, Hex Hd. 1/4-20 x 1 1/2
*19	65-516-12	4	Bolt, Hex Hd. 5/16-18 x 3/4
*20	65-516-28	1	Bolt, Hex Hd. 5/16-18 x 1 3/4
*21	945-516	1	Flatwasher, Plain 5/16
*22	945-1216	4	Flatwasher, Plain 3/4
*23	935-516	4	Lockwasher, Spring 5/16
*24	365-10	2	Nut, Hex Lock 10-24
*25	365-416	10	Nut, Hex Lock 1/4-20
*26	365-516	2	Nut, Hex Lock 5/16-18
*27	380-432-20	2	Cotter Pin
28	85-89-A	2	Spacer
*29	65-516-32	1	Bolt, Hex Hd. 5/16-18 x 2
30	83-181-A	1	Spacer

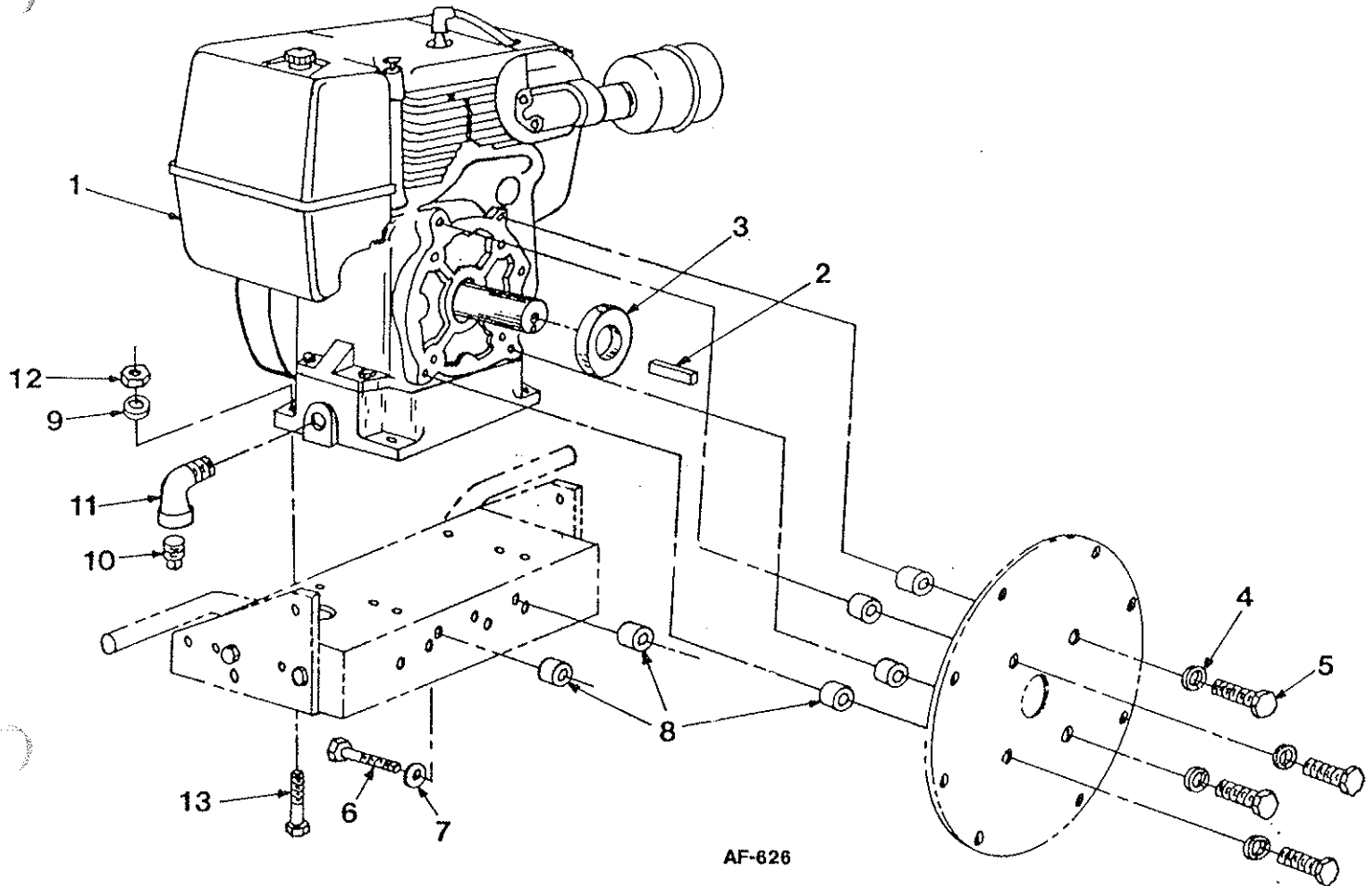
*These Items should be purchased through a local hardware store.

HANDLE ASSEMBLY



AF-747

ENGINE ASSEMBLY



PARTS LIST

Ref. No.	Part No.	Qty. Per Unit	Description
1	**	1	Engine, Kohler 8 H.P.
2	63-130-A	1	Fan Key, 1/4 Sq. x 1 3/4
3	72-179-A	1	Fan Spacer
*** 4	935-616	4	Lockwasher, Spring 3/8
*** 5	65-616-24	4	Bolt, Hex Hd. 3/8-16 x 1 1/2
*** 6	65-416-28	2	Bolt, Hex Hd. 1/4-20 x 1 3/4
*** 7	935-416	2	Lockwasher, Spring 1/4
8	79-139-A	6	Spacer
*** 9	945-616	4	Flatwasher, Plain 3/8
10	*	1	Pipe Plug, Oil Drain
11	57-81-A	1	Street Elbow, 1/2 x 90°
*** 12	365-616	4	Nut, Hex Lock 3/8-16
*** 13	65-616-20	4	Bolt, Hex Hd. 3/8-16 x 1 1/4

*Supplied with engine

**Kohler Model No. M8T

***Items should be purchased through a local hardware store.

