

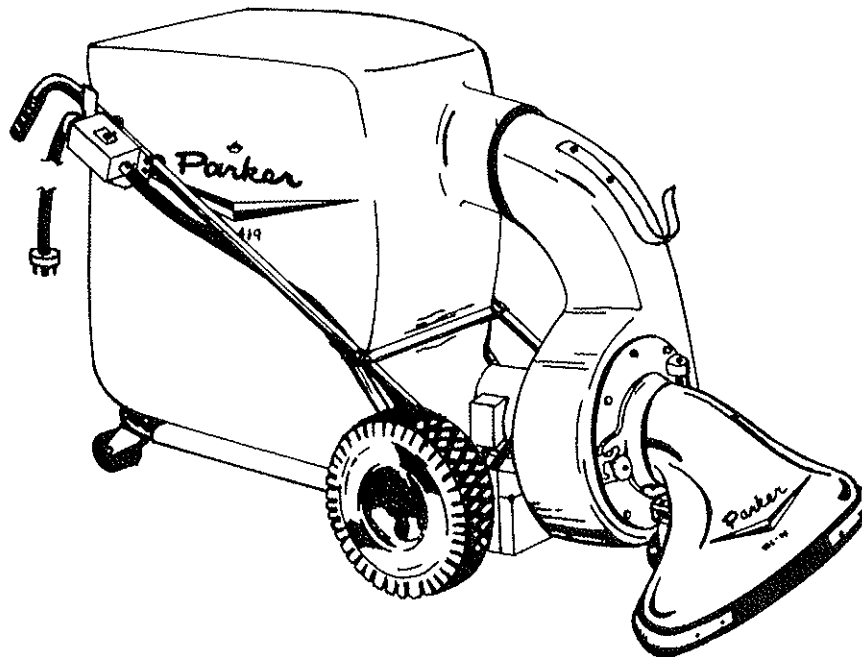
OWNER'S GUIDE



Parker

VACUUM SWEEPER VAC-35 ELECTRIC POWERED

MODEL NO. PV-8302-E & PV-8302-EX



AF-353

**READ THESE INSTRUCTIONS
BEFORE SETTING UP AND OPERATING MACHINE**

NOTE: Electric units are not recommended for outdoor use or in wet or damp areas.

PARKER SWEEPER COMPANY

Box 1728

Springfield, Ohio 45501-1728

Plate No. 759 (Rev. 6-9-83)

GENERAL INFORMATION

1. The Vacs covered by this owners guide are shipped complete in one box. Follow all instructions on assembly very carefully. Whenever a difference in instructions occurs either a separate instruction or an "Explanation Note" will be given.

2. Unpack Nose Cone, Spin-Pak, Upper Handle Assembly, Bag Platform and Filter Bag. All hardware is on the unit in its proper location. If something is missing, notify the factory or your local distributor to obtain parts needed. DO NOT discard any of the cartons or inner packing until machine is completely assembled.

3. Tip box over so blower housing is on top of engine. Pull unit out of box and stand it up. Move box out of the way. Whenever the terms Left and Right or L. and R. are used herein, it should be understood to mean from a position standing behind the unit facing in a forward direction.

4. SPIN-PAK Assemble the Spin-Pak to the Blower Housing by removing the four bolts and slipping the ring over the Housing neck. Line up the holes and insert four ¼-20x¾ bolts. Assemble washers and nuts to bolts.

"DO NOT TIGHTEN." "CENTER UP" Spin-Pak and tighten top bolt. Press ring around the Housing on the sides and tighten the side bolts, finally tighten the bottom bolt.

5. The Intake Housing should be attached to the front of the Blower Housing by inserting the hinge boss behind the hinge rod on the Front Cover, item 27, next swing the Intake Housing, item 38, until the slot fits over the adjusting screw and can be locked in place by tightening knob, item 23.

6. Adjust the height of the intake housing in relation to the floor by loosening the jam nut on the caster and threading the caster in or out of the bracket. When the desired height is determined, lock the caster in place by tightening the jam nut against the bracket. Normal floor clearance for intake housing is ¾ to 1¼".

NOTE: Electric units are not recommended for outdoor use or in wet or very damp areas.

YOUR SAFETY IS OUR CONCERN. READ ALL SAFETY RULES AND OPERATING INSTRUCTIONS BEFORE ATTEMPTING TO START OR OPERATE THIS EQUIPMENT. FAILURE TO FOLLOW SAFETY RULES AND OPERATING INSTRUCTIONS MAY RESULT IN SERIOUS INJURY.

IMPORTANT

ALWAYS GIVE THE FOLLOWING INFORMATION WHEN ORDERING REPAIR PARTS:

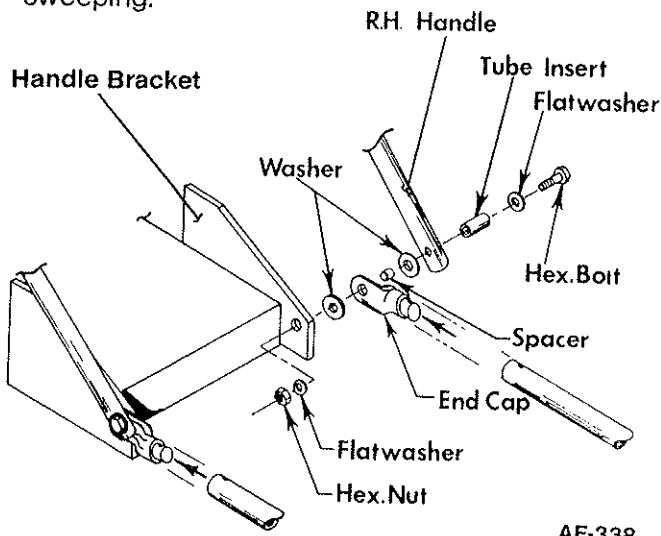
- | | |
|-------------------------------|------------------------|
| 1. Part Number (Not Ref. No.) | 3. Description of Part |
| 2. Quantity Needed | 4. Model No. of VAC-35 |

If unable to obtain parts locally, write down above information and send to:
PARKER SWEEPER CO., BOX 1728, SPRINGFIELD, OHIO 45501.

Your unit is right hand (R.H.) or left (L.H.) as you stand behind it.

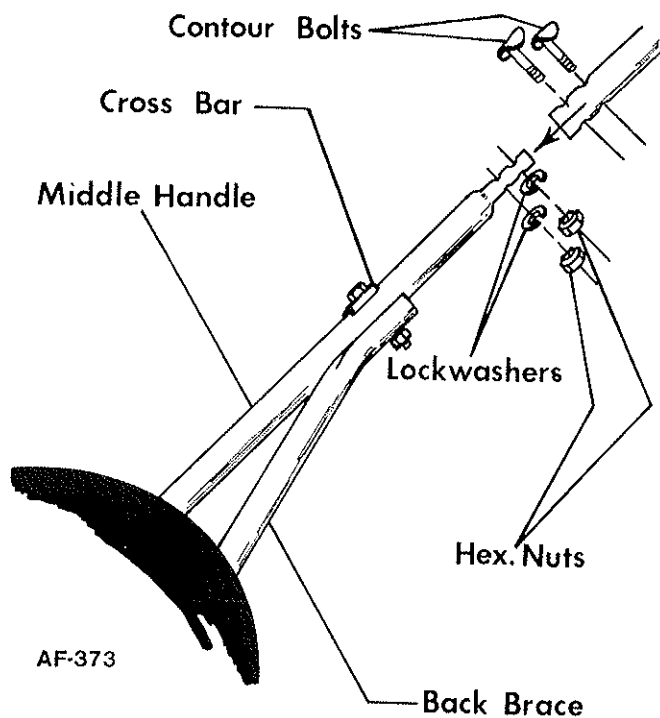
Bag Platform Attachment

To attach bag platform, insert end cap into open end of bag platform as shown. Secure bag platform to end cap with contour bolt, hex. nut and lockwasher. Bag platform should stay in place while sweeping.



Handle Assembly

1. Remove the four contour head bolts, lockwashers and hex. nuts from the ends of the upper handles.
2. Add Upper Handle Assembly to lower handles and align the four holes.
3. Insert the bolts through the holes.
4. Secure with lockwasher and hex. nuts.



5. Tighten all bolts and nuts. Bring nuts up to a "snug" position all the way around, check handle assembly for alignment and, if OK, give each a final tightening. If alignment is needed, be sure nuts are just loose enough in all the joints to permit movement between the holes and the bolts. This should be enough to result in correct alignment. Do not bend tubing to accomplish proper position.

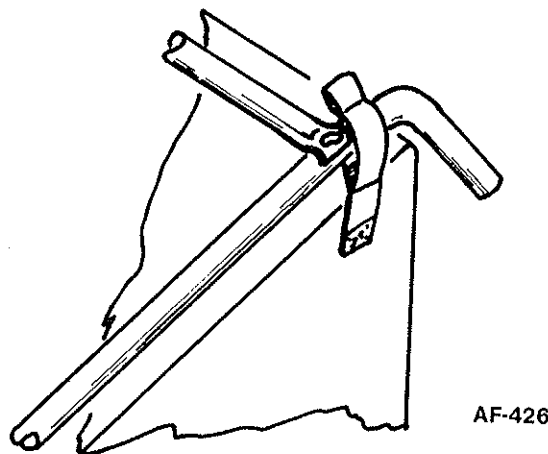
Be sure that the bolts are pulled down tight enough for one or more bolt threads to extend through the nut. It may be necessary to collapse the tube SLIGHTLY to accomplish this.

DANGER: Make a thorough inspection to see that all fastenings are tight and all parts are properly installed. DO NOT start motor without Intake and Dust Bag in place. See instructions for installing Dust Bag and Intake.

If motor is started without intake attached, serious injury may result by drawing clothing or parts of the body into the fan. If motor is run without dust bag, small stones or other objects may be picked up and propelled at operator or bystanders through the unprotected opening causing serious injury.

Attaching Dust Bag

1. Attach the dust bag to the sweeper by placing the loops over the handles.
2. Bag hooks are not necessary on new manual Vac's with Bag Platform. The Bag Platform will help support the bag. If your unit is used for any reason without the Bag Platform, then bag hooks should be used on the lower straps and lower crossbar.
3. To prevent loss of the bag hooks, be sure that the end of the hooks are closed after attaching to the bag straps. This can be done by a light blow with a hammer or by squeezing with pliers.



**BE SAFE. PROTECT YOUR FAMILY, YOUR FRIENDS, YOURSELF.
OBSERVE ALL SAFETY INSTRUCTIONS.**

OPTIONAL ACCESSORIES

NOTE: Accessory No. and Price List can be obtained from your local distributor.

24" INTAKE HOUSING: For sweeping in narrow aisles or in areas where heavier objects are to be collected.

36" INTAKE HOUSING: Ideal for sweeping lighter weight debris and in larger, open areas.

DISCHARGE HOSE KIT: Attaches to exhaust port for leading debris into truck, container, etc.

HOSE ATTACHMENT 6" DIA.: 12 ft. length overall, fits all Vac-35 models. Attaches to impeller housing for cleaning debris from hard-to-reach areas.

HOSE ATTACHMENT 4" DIA.: 15 ft. length overall, fits all Vac-35 models, Attaches to impeller housing for cleaning debris from hard-to-reach areas.

SCRAPER BRUSH KIT: Installs inside rear of intake housing. Loosens debris which adheres to surface. (Available for 30" intake housing only.)

MAGNETIC ROD KIT: Assembles to front of intake housing. Attracts metal objects. (Available for 30" intake housings only.)

FLEECE-LINED FILTER COLLECTOR BAG: 11 cu. ft. launderable bag, minimizes dust. 54" heavy duty zipper opening, furnished with Unit.

HOW TO ORDER REPAIR PARTS

NOTE: When ordering service parts for any model Vac, follow the instructions listed below. By so doing, you will be assured of receiving the correct part in the shortest possible time.

1. Give the model and serial number found on the back of fan housing or back of chassis on your unit.

2. Write the complete part number as well as the description of the part, and quantity of part required.

3. Whenever the terms "left and right, or L and R" are used herein, it should be understood to mean from a position facing in direction of forward travel.

4. Give detailed shipping instructions. That is: whether shipment is to be by parcel post, United Parcel, air express, freight or truck.

NOTE: Parker Sweeper Co. is continually striving to improve its products. We must, therefore, reserve the right to make improvements or changes, when it becomes practical and possible to do so, without incurring any obligation to make changes or additions to the equipment previously sold.

READ SAFETY AND OPERATING INSTRUCTIONS BEFORE OPERATING EQUIPMENT

1. Attach the dust bag to the sweeper by placing the loops over the handles, Slip the neck of the dust bag over the Spin-Pak until the tie strap can be pulled tight around the housing neck just over the bead on the Spin-Pak. The bead must be covered.

2. Before starting the motor read and understand the following:

Spin-Pak is in place.
Dust Bag or Discharge Hose is in place.

NOTE: FAILURE TO OBSERVE SAFETY INSTRUCTIONS MAY RESULT IN SERIOUS INJURY!

A. Intake Housing or Hose Kit is attached to the Fan Housing.

B. Heavy concentration of sand and gravel should be avoided. These materials are extremely abrasive, and while the Vac-35 will handle moderate amounts of these materials, it was not designed for heavy applications. Because these materials are extremely heavy, only small amounts should be allowed to collect in the bag because large amounts cause poor handling and difficulty in pushing. The Vac-35 is capable of picking up empty tin cans and blocks of wood, but it was not intended for this type of service, since tremendous stresses build up as these pieces pass through the impeller. Treat your Vac-35 with reasonable care and it will repay you with trouble-free service.

C. The Vac-35 will handle most common kinds of debris found around industrial plants, commercial buildings, homes and farms. Acid contaminated materials, magnesium, dust and other DANGEROUS DEBRIS that is considered hazardous should not be handled with the Vac-35 unless approved by a regulating authority considered to be an expert in the handling of such hazardous materials.

D. Keep dust bag clean. The efficiency of this unit depends on the breathing capabilities of the dust bag. On extremely dusty jobs, empty bag often. Never allow debris to remain in bag after use. There is a danger of spontaneous combustion.

DANGER: Improper use of this equipment may result in serious injury.

3. LUBRICATION

Lubricate the wheel bearings and wheel axle on the caster once a week if used daily. This will keep the unit operating smoothly.

4. SERVICING

A. The Vac-35 is equipped with a front adjustable caster which will provide any height adjustment of intake housing that may be practical. Lock Nuts *must* be kept tight.

CAUTION: DO NOT WORK ON VAC-35 with motor running. Bring to a DEAD STOP. Remove plug on motor. When changing attachments, bring to a complete stop.

B. For easy rolling, keep the tires inflated to 25 pounds pressure.

C. For a "like new" appearance, wash the plastic blower housing and nozzle with soap and water, rinse with clear water and wipe dry. Do not use harsh abrasives or cleansers as they will dull the bright finish.

5. DUST BAG CARE

1. Keep the Dust Bag clean at all times.
2. To clean the Dust Bag, turn the bag inside out and reattach to the sweeper.
3. Start the motor and run at full throttle. Lightly tap the bag to release the dust trapped in the weave.
4. When the bag is clean, remove it and turn it right side out again. Reattach to the sweeper and resume sweeping.
5. DO NOT wash the Dust Bag to clean. Washing will shrink the material, reducing air flow through the bag and seriously reduce vacuum.

OBSERVE SAFETY RULES AT ALL TIMES. DON'T TAKE CHANCES!

5. ELECTRIC POWERED MODELS ASSEMBLY

A. Refer to Electric Switch Diagram 17 and 18. This support hook is to provide a place to store the extension cord. The cord is not furnished by Parker Sweeper Co.

B. Remove hardware from hook and place the bolts thru the holes in item 17, Electric Switch Diagram, then thru the holes in the neck from inside the fan housing. Place the hook item 16 over the bolts and install and tighten the nuts.

C. Model PV-8202-E—2HP—3HP—220/440 Volts — 50/60 Hertz. This model leaves the factory wired for 220 Volts AC operating current. This model has the open drip proof motor with the start-stop switch to be installed on the handle. All of the electrical connections have been made and the parts have been assembled. To assemble switch in proper position, slide it upwards toward the upper cross brace until electrical cord has very little slack. Tighten nuts, item 10, being sure that switch is in upright position.

D. Extension cords are not furnished with electric model Vacs. The switch assembly is supplied with a male locking connector, four conductor, polarized, to which an extension cord is to be attached. Electrical cords must be 4 Conductor type and both power outlets and cords shall meet all local and national codes. The power source must be properly fused and grounded.

E. Model PV-8202-EX—2HP—3HP — 220/440 Volts 50/60 Hertz. This model has a closed and explosion proof type motor with the start-stop switch installed on the motor wired for 220 volts AC operation current. All the electrical connections have been made to the start-stop switch. The motor and switch is UL approved for Class 1, Group D and Class 2, Group F and G Classifications. These classifications cover applications listed as follows:

(1) GASEOUS LOCATIONS. Gaseous locations such as gasoline refineries, paint and varnish plants, dry cleaning plants, or wherever the gas encountered is not more hazardous than high-test gasoline vapor.

(2) EXPLOSIVE DUST. Areas containing explosive dust from coal, coke, carbon black or other materials.

(3) EXPLOSIVE GRAIN DUST. Applications in grain elevators, feed mills, flour mills or other locations where the atmosphere contains explosive grain dust.

F. This model PV-8202-EX leaves the factory wired for 220 Volts AC operating current. Extension cord is not furnished by Parker Sweeper Co.

G. The extension cord for Explosion Proof Motors must be attached directly to the switch. See Wiring diagram.

H. All cords must be 4 Conductor, and both power outlet and extension cords shall meet all local and national codes. The power source must be properly fused and grounded.

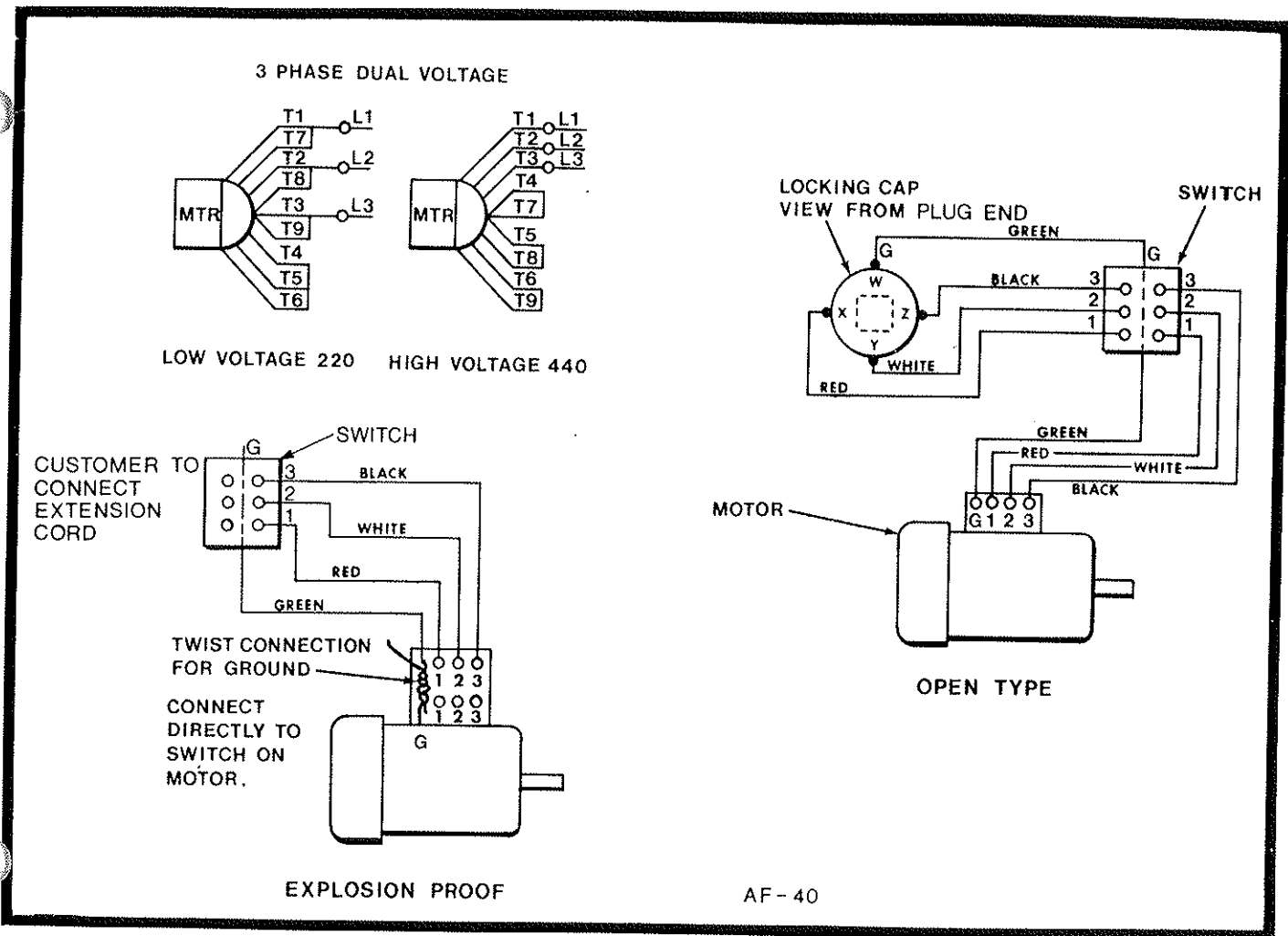
WARNING: BE SURE THE ELECTRICAL POWER SOURCE IS DISCONNECTED BEFORE CONNECTING THE EXTENSION CORD TO THE EXPLOSION PROOF SWITCH.

I. PHASE ROTATION. The motor direction of rotation is determined by the sequence of the phase connections. This unit leaves the factory properly wired for 220 volt AC current and a standard sequence. If power connections are not standard, it will be necessary to interchange any TWO of the three lead connections, 1, 2 and 3 on the motor to obtain the correct direction of rotation. Your power company can assist you in the determination of the phase sequence.

IMPORTANT: It is important that the direction of the Vac-35 Impeller rotation be checked on this machine. Looking directly at the impeller from the front of the machine, it should turn counterclockwise, as indicated by arrow on front of fan housing.

CAUTION: All electrical cord and outlets should meet local and national electrical codes. For extension cord up to 50 ft. in length use No. 14 wire. For extension cord up to 100 ft. in length use No. 12 wire.

NOTE: OBSERVE ALL APPLICABLE LOCAL, STATE AND NATIONAL ELECTRICAL CODES AND REGULATIONS WHEN USING THIS EQUIPMENT.



Wiring Diagram

VOLTAGE CONVERSION PROCEDURE

- A. If the unit is to be used in a location where 440 volt, 3 phase, 60 Hz power is available, the electric motor can be converted in the following manner.
- B. MAKE SURE MOTOR IS DISCONNECTED FROM POWER SOURCE.
- C. Remove the junction box cover from the motor. Refer to wiring diagram and disconnect leads and reconnect for 440 volt. Attach a tag to the unit indicating that it is to operate only 440 volt.

EXPLOSION PROOF STANDARDS

Explanation of the term "Explosion Proof" as it applies to the "Explosion Proof Vac."

The Explosion Proof Vac meets or exceeds the requirements of the following specifications: National Electric Code Articles 500 through 503 Class I (Flammable Liquids, Gases or Vapors) Group D, Class II (Combustible Dust) Groups F & G and Class III (Textile and Sawmills Fibers and Flyings). Motor Operating Temperature Code T3C.

NOTE: As stated under article "500-2 Special Precaution," "Articles 500 through 503 require a form of construction of equipment and of installation that will ensure safe performance under conditions of proper use and maintenance." "It is important that inspection authorities and users exercise more than ordinary care with regard to installation and maintenance."

CAUTION: Anyone using or specifying the use of an Explosion Proof Vac should have a working knowledge of the following document by the National Fire Protection Association, Inc., 470 Atlantic Ave., Boston, MA 02210: "Intrinsically Safe Apparatus and Associated Apparatus for use in Class I, II, and III, Division I Hazardous Locations. NFPA 493-1978 (ANSI)."

Although non-sparking materials have been used in all areas of high velocity material movement to eliminate the possibility of inducing an ignitor into an explosive atmosphere, it is still necessary to operate the Explosion Proof Vac within standard guidelines of the National Fire Protection Association.

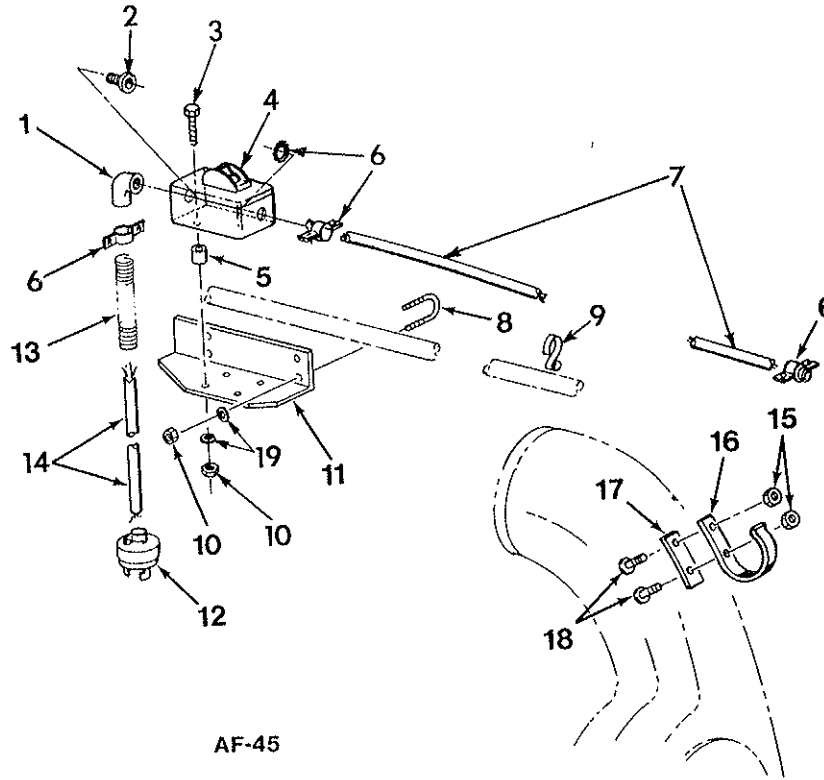
Combustible materials must be removed immediately, following the use of the Vac, to prevent storage of combustible materials in a flammable container. Spontaneous combustion may result.

Unit must be cleaned, removing dust fines, flyings, and fibers before storing.

Lubricants or waxes that are not compatible with the explosive atmosphere must not be used on this unit, as spontaneous combustion may result.



ELECTRIC SWITCH GROUP

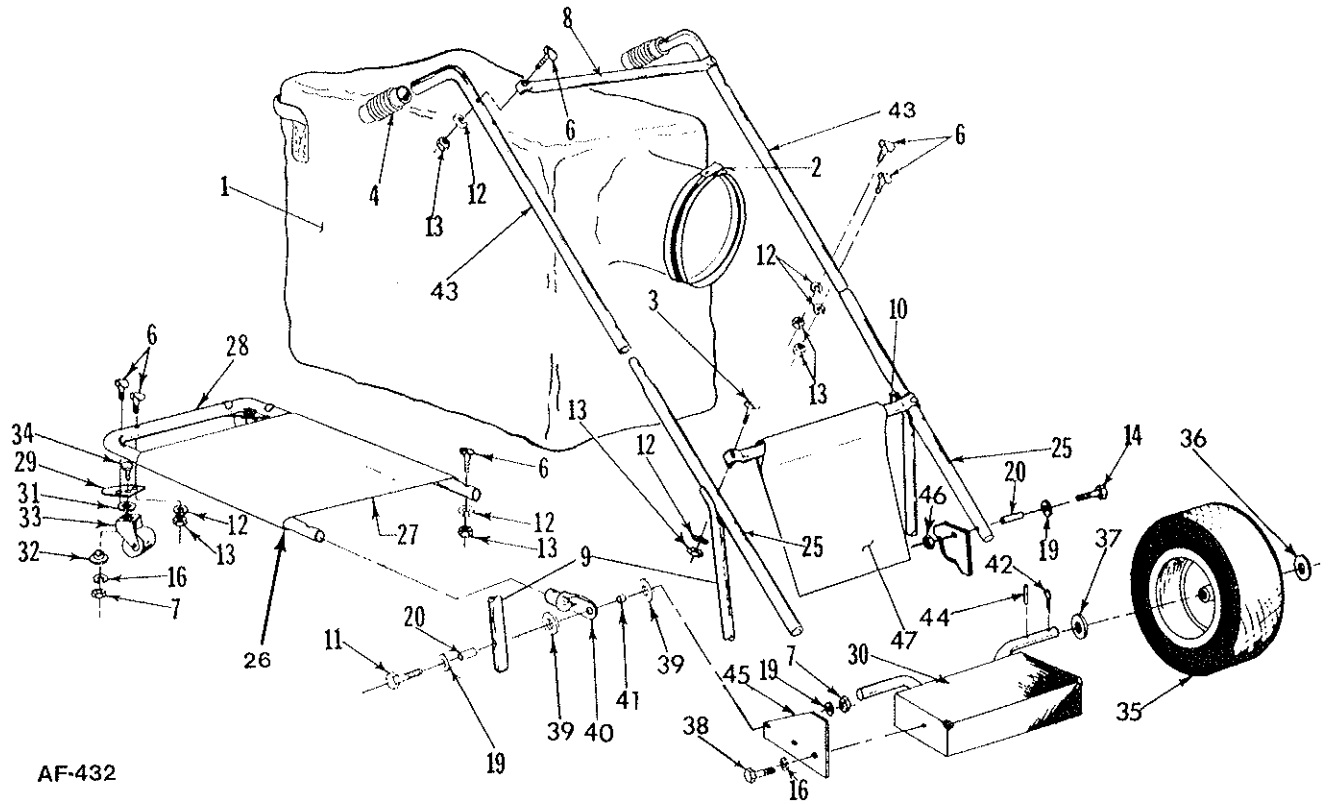


PARTS LIST

Ref. No.	Part No.	Description	PV-8302-E	PV-8302-EX
1	66-379-A	Elbow, Female 1/2 x 90°	1	-
2	72-171-A	Conduit Fitting	1	-
3	65-416-20	Bolt, Hex. Hd., 1/4-20 x 1 1/4	4	-
4	64-148-A	Switch, 3 Pole.	1	-
5	68-219-A	Spacer	4	-
6	63-18-A	Connector.....	3	-
7	82-44-A	Cord 14/4, Type S.O. Neoprene, 54 Inch, Lg.	1	-
8	82-45-A	U-Bolt	2	-
9	82-57-A	Clamp	1	-
10	365-416	Nut, Hex. Lock, 1/4-20	8	-
11	66-396-A	Bracket, Switch Mtg.	1	-
12	64-146-A	Locking Cap, 4 Wire Polarized	1	-
13	64-139-A	Spring	1	-
14	82-56-A	Cord, 14/4, Type S.O. Neoprene, 54 Inch, Lg. <i>82-44-A</i>	1	-
15	364-416	Nut, Hex. Lock, Thin, 1/4-20	2	2
16	63-143-C	Cable Hook	1	1
17	63-175-A	Washer, Plate	1	-
17*	83-59-A	Washer, Plate, 2024-T3, ALCLAD	-	1
18	65-416-12	Bolt, Hex. Hd., 1/4-20 x 3/4.....	2	-
18*	65-416SS12	Bolt, Hex. Hd., 1/4-20 x 3/4 Stainless Steel.....	-	2
19	945-416	Flatwasher, 1/4.....	8	-

* Cannot Be Substitute Material

HANDLE ASSEMBLY

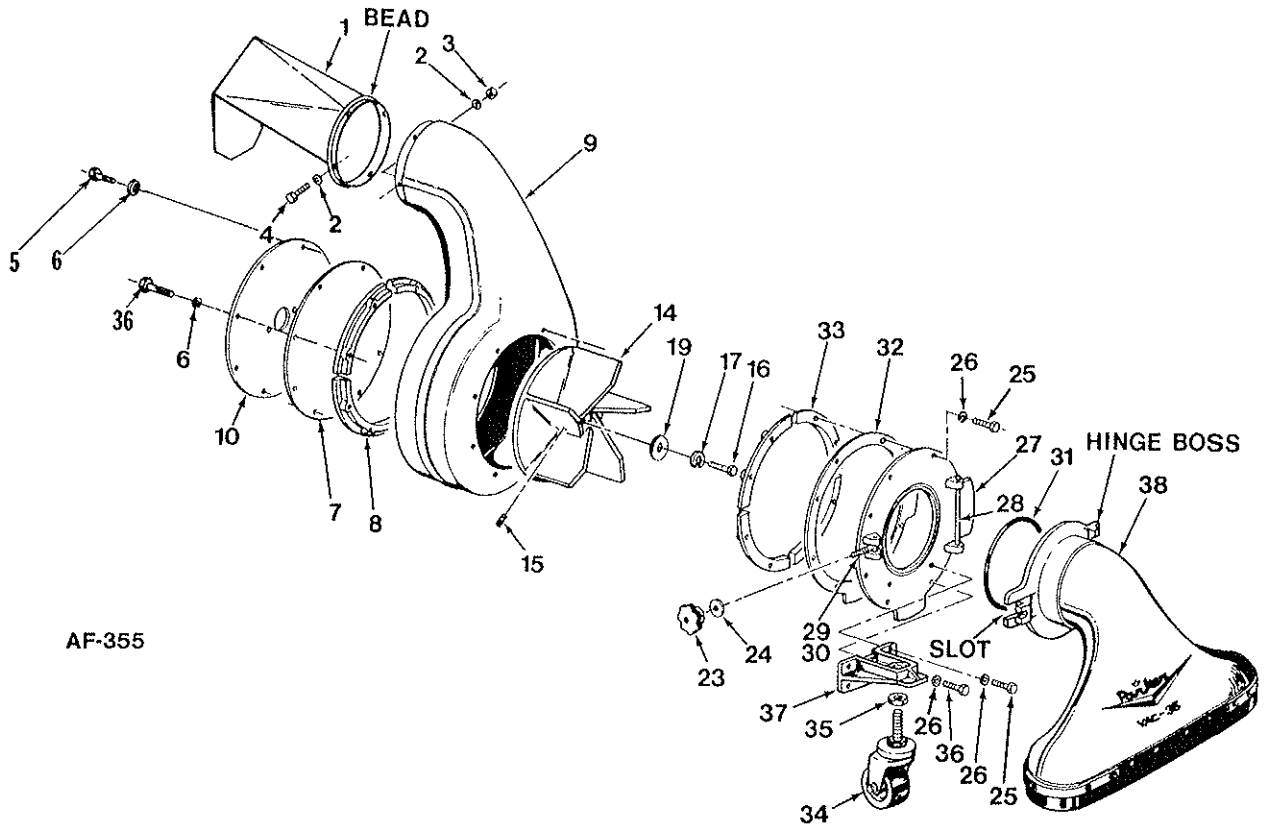


HANDLE ASSEMBLY

PARTS LIST

Ref. No.	Part No.	Description	PV-8302-E	PV-8302-EX
1	MA-419	Dust Bag Assembly.....	1	1
2	SA-794-B	Strap Assembly.....	1	1
3	69-416-28	Bolt, Contour Hd., 1/4-20 x 1 3/4.....	2	2
4	80-232-A	Handle Grip.....	2	2
6	69-416-24	Bolt, Contour Hd., 1/4-20 x 1 1/2.....	12	12
7	365-516	Nut, Hex. Lock, 5/16-18.....	4	4
8	81-04-B	Cross Brace, Upper.....	1	1
9	82-246-C	Back Brace . 85-110-C	2	2
10	81-58-B	Cross Brace, Lower.....	1	1
11	65-516-32	Bolt, Hex. Hd., 5/16-18 x 2.....	2	2
12	935-416	Lock Washer, Spring, 1/4.....	14	14
13	335-416	Nut, Hex. Plain, 1/4-20.....	14	14
14	65-516-24	Bolt, Hex. Hd., 5/16-18 x 1 1/2.....	2	2
16	935-516	Lockwasher, Spring, 5/16.....	6	6
19	945-516	Flatwasher, 5/16.....	6	6
20	80-238-A	Insert.....	4	4
25	82-245-B	Middle Handle.....	2	2
26	SA-982-C	Bag Platform (Complete Assembly).....	1	1
27	81-117-C	Bag Platform.....	1	1
28	81-96-B	Frame, Bag Platform.....	1	1
29	82-02-B	Caster Plate.....	2	2
30	73-111-C	Chassis Weldment.....	1	1
31	50-230-A	Washer, Special.....	2	2
32	78-130-A	Bearing, Caster.....	2	2
33	SA-962-B	Caster Assembly.....	2	2
34	65-516-16	Bolt, Hex. Hd., 5/16-18 x 1.....	2	2
35	SA-231-B	Wheel Assembly.....	2	2
36	945-1216	Flatwasher, 3/4.....	2	2
37	960-1216	Flatwasher Thick, 3/4.....	2	2
38	65-516-12	Bolt, Hex. Hd., 5/16-18 x 3/4.....	4	4
39	76-36-A	Special Washer.....	4	4
40	81-116-A	Tubing End Cap.....	2	2
41	81-120-A	Spacer.....	2	2
42	380-432-20	Cotter Pin.....	2	2
43	80-321-C	Upper Handle.....	2	2
44	67-521-A	Roll Pin .187 x 1.....	2	2
45	73-362-C	Handle Bracket.....	2	2
46	364-516	Nut, Hex. Lock, Thin, 5/16-18.....	2	2
47	80-237-A	Bag Guard.....	1	1

HOUSING ASSEMBLY



AF-355

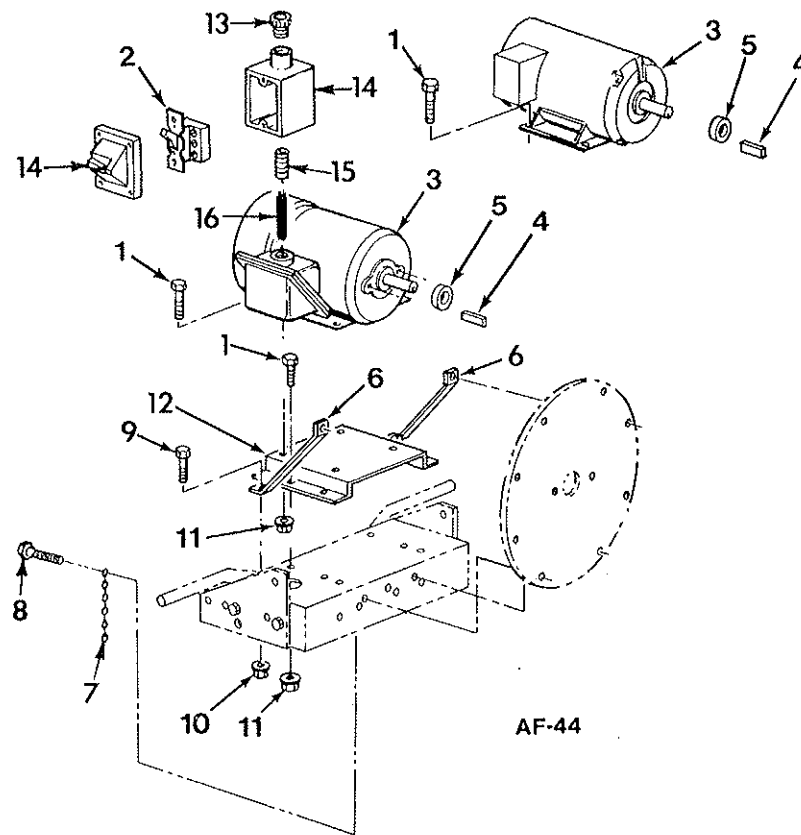
HOUSING ASSEMBLY

PARTS LIST

Ref. No.	Part No.	Description	PV-8302-E	PV-8302-EX
1	88-60-B	Spin-Pak, Deflector	-	1
1	83-72-13-B	Spin-Pak, Deflector . <i>SA-1413-C</i>	1	-
2***	945SS416	Flat Washer, Plain, 1/4, Stainless Steel	-	8
2	945-416	Flat Washer, Plain, 1/4	8	-
3***	364SS416	Nut, Hex. Lock, Thin, 1/4-20, Stainless Steel	-	4
3	364-316	Nut, Hex. Lock, Thin, 1/4-20	4	-
4***	65-416SS10	Bolt, Hex. Hd., 1/4-20 x 5/8, Stainless Steel	-	4
4	65-416-10	Bolt, Hex. Hd., 1/4-20 x 5/8	4	-
5	65-416-16	Bolt, Hex. Hd., 1/4-20 x 1	6	6
6	935-416	Lockwasher, 1/4	6	6
7***	83-84-C	Back Cover, Insulator	-	1
7	62-187-C	Rubber Gasket	1	-
8	64-78-C	Anti-Wrap Segment	4	4
9	83-53-D	Housing Assembly	-	1
9	70-103-F	Housing Assembly	1	-
10	72-161-C	Back Cover	1	1
14	72-162-D	Fan Wheel	1	1
15	564-516-16	Setscrew	1	1
16**	60-516-16	Bolt, Hex. Hd., 5/16-24 x 1	1	1
17	935-516	Lockwasher, Spring, 5/16	1	1
19	82-138-B-1	Washer, Special	1	1
	63-225-D	Front Cover Assembly . <i>SA-1389-D</i>	1	1
23	80-29-A	• Adjusting Knob	1	1
24	945-816	• Flat Washer, Plain, 1/2	1	1
25	65-416-16	• Bolt, Hex. Hd., 1/4-20 x 1	8	8
26	935-416	• Lockwasher, 1/4	10	10
27	63-191-D	• Front Cover . <i>SA-1389-D</i>	1	1
28	63-194-A	• Hinge Pin	1	1
29	63-192-A	• Pivot Bolt	1	1
30	63-193-A	• Roll Pin, 0.264x1 3/4	1	1
31	63-190-A	• O-Ring, Gasket	1	1
32	75-03-C	• Gasket, Front	1	1
33	64-78-C	• Anti-Wrap Segment	4	4
34	64-71-A	Caster, Stem Type	1	1
35	340-1216	Nut, Hex. Jam, 3/4	1	1
36	65-416-20	Bolt, Hex. Hd., 1/4-20 x 1 1/4	1	1
37	66-430-C	Caster Bracket	1	1
38	SA-911-D	Intake Housing, 30 Inch . <i>MA-251-D</i>	1	1
38	MA-113-D	Intake Housing, 24 Inch	*	*
38	MA-120-D	Intake Housing, 36 Inch	*	*

* Purchased Separate, Optional Accessory
 ** 16 Torque 5/16 Bolt to 18-20 Ft./Lbs.
 *** Cannot Be Substitute Material

MOTOR GROUP



PARTS LIST

Ref. No.	Part No.	Description	PV-8302-E	PV-8302-EX
1	65-516-12	Bolt, Hex. Hd. 5/16-18 x 3/4	8	8
2	72-191-A	Starting Switch	-	1
3	82-49-C	Motor	-	1
3	82-32-C	Motor	1	-
4		Motor Key 3/16 x 1 3/8 (supplied w/motor)	1	1
5	72-163-A	Fan Spacer	1	1
6	73-409-B	Support Bracket	2	2
7	47-219-A-8	Static Ground Chain	2	2
8	65-416-20	Bolt, Hex. Hd., 1/4-20 x 1 1/4	2	2
9	65-416-12	Bolt, Hex. Hd., 1/4-20 x 3/4	2	2
10	365-416	Nut, Hex. Lock, 1/4-20	4	4
11	365-516	Nut, Hex. Lock, 5/16 x 18	8	8
12	73-410-C	Motor Base	1	1
13	72-293-A	Connector	-	1
14	72-190-A	Condulet, Switch (with cover)	-	1
15	66-280-A	Pipe Nipple, 3/4	-	1
16	82-50-A	Electric Cord 14/4x9" Lg.	-	1

Order all parts from your nearest PARKER PARTS DISTRIBUTORS. If unable to locate the part from your Parts Distributor, forward your order to PARKER SWEEPER COMPANY for handling.

Hart-Greer, Inc. 900 N. 24th St. BIRMINGHAM, AL 35203	Bruce Engine, Inc. 1791 N.W. 86th St. DES MOINES, IA 50322	The Messenger Company, Inc. 374 Avery St. ROCHESTER, NY 14606	Fidelity Sales Corp. 447 E. Market St. KINGSPORT, TN 37662
Lawn & Garden Supply Co. 2222 N. 27th Ave. PHOENIX, AZ 85017	Morton B. Collins 300 Birnie Ave. SPRINGFIELD, MA 01106	Smith Hardware Co. 515 No. George St. GOLDSBORO, NC 27530	Fidelity Sales Corp. 6044 Lee Highway CHATTANOOGA, TN 37421
H. V. Carter Company 1700 E. 14th St. OAKLAND, CA 94606	Frost Company 483 Wildwood St. WOBURN, MA 01801	Hayward Distributing Co. 460 Neilston St. COLUMBUS, OH 43215	Goldthwaite's of Dallas, Inc. 2700 Forest Ln., Box 34660 DALLAS, TX 75234
Tarzana Mower & Engine Parts, Inc. 6075 Reseda Blvd. RESEDA, CA 91335	Frederick Trading Co. 7901 Trading Lane-Box 400 FREDERICK, MD 21701	Schroeder Sales & Service, Inc. 1144 Harrison Ave. HARRISON, OH 45030	Goldthwaite's of Ft. Worth 1401 Foch St. FT. WORTH, TX 76107
Colorado Outdoor Equip., Inc. 527 W. Evans DENVER, CO 80223	Adams Equipment, Inc. 8001 Newell St. SILVER SPRINGS, MD 20910	Hershman's, Inc. 12477 Benner Rd. RITTMAN, OH 44270	Goldthwaite's of Houston, Inc. 220 Farris HOUSTON, TX 77025
Zaun Equipment, Inc. 1741 Hamilton St. JACKSONVILLE, FL 32210	Ideal Mower Sales, Inc. 811 Woodward Heights FERNDALE, MI 48220	PARKER SWEEPER COMPANY P. O. Box 1728 SPRINGFIELD, OH 45501 Phone: 513-323-4901	Goldthwaite's of Texas, Inc. 10751 Sentinel SAN ANTONIO, TX 78217
Florida Turf & Garden 7275 N.W. 64th St. MIAMI, FL 33166	Lorenz Service Company 2500 S. Pennsylvania Ave. LANSING, MI 48910	M. P. E. Sales, Inc. 25850 Chardon Rd. CLEVELAND, OH 44143	Boyd Martin Company 1260 N. W. Temple SALT LAKE CITY, UT 84116
Zaun Equipment, Inc. 1140 S. Rio Grande Ave. ORLANDO, FL 32805	Power Equipment Distributors, Inc. 340 N. Hubbard MT. CLEMENS, MI 48043	Tri-County Sales & Service 15 North West Ave. YOUNGSTOWN, OH 44502	Wetsel Seed Co. 941 N. Liberty HARRISONBURG, VA 22801
De Bra Turf & Industrial Equip. Co. 5921 N. Oak St. HOLLYWOOD, FL 33021	R. L. Gould Company 3711 N. Lexington Ave. ST. PAUL, MN 55112	Wait Sales Company 406-10 S. Peoria, Box 1015 TULSA, OK 74120	The Bentley Company 4126 Airport Way, S. SEATTLE, WA 98108
De Bra Turf & Industrial Equip. Co. 6025 U.S. Hwy. 301 TAMPA, FL 33610	Hance Distributors 420 Excelsior Ave., W. HOPKINS, MN 55343	Baltz & Son Co. 9817 E. Burnside PORTLAND, OR 97216	Northwest Mower, Inc. 926 N. 165th St. SEATTLE, WA 98133
Snapper Equipment Distributor 204 E. Buffalo Ave. TAMPA, FL 33603	Gunthers Service & Supply 7320 Wornall Rd. KANSAS CITY, MO 64114	Monroe Machinery & Supplies, Inc. 1421 S. E. Gidson St. PORTLAND, OR 97242	Interstate Radiator & Lawn Mower Co. 1611 4th Ave. CHARLESTON, WV 25312
Lawn & Turf, Inc. 2570 Old Covington Hwy. CONYERS, GA 30207	Henzler, Inc. 2015 Lemay Ferry Rd. ST. LOUIS, MO 63125	Lawn & Golf Supply Co. 647 Nutt Rd. PHOENIXVILLE, PA 19460	Reinders Brothers, Inc. 13400 Watertown Plank Rd. ELM GROVE, WI 53122
Tyner Distributing, Inc. 5437 Kendall St. BOISE, ID 83706	Port Huron Machinery & Supply 801 Q St. LINCOLN, NE 68508	Gardenville Supply Co., Inc. Route 611 PIPERSVILLE, PA 18947	R. L. Gould 344 Berger St. GREEN BAY, WI 54302
Plante's Lawn Equipment, Inc. 4 Grant St. NORTH AURORA, IL 60542	George Smith & Sons, Inc. 322 Broadway BETHPAGE, L.I., NY 11714	Bluemont Co. 11125 Frankstown Rd. PITTSBURGH, PA 15235	Van's Supply & Equip. Co., Inc. 2640 So. Ashland Ave. GREEN BAY, WI 54303
Davis Turf Products, Inc. 435 So. Wheeling Rd. WHEELING, IL 60090	Grasslands Equip. & Irrigation 892 Troy Schenectady Rd. LATHAM, NY 12110	Niemeyer Corp. 1135 Phoenixville Pike, Box 1477 WEST CHESTER, PA 19360	Fallis Turf Equip., Ltd. 11951 Forge Place RICHMOND, B.C., CANADA V7A 4V9
T. E. Booher & Sons 1009 W. State St. ALBANY, IN 47320	Henry W. O'Neill & Associates, Inc. 410 N. Goodman St. ROCHESTER, NY 14609	Fidelity Sales Corp. 6331 Baum Dr. KNOXVILLE, TN 37919	Duke Lawn Equipment 1184 Plains Rd., East BURLINGTON, ONTARIO, CANADA L7S 1W6

