

<b>KLEEN-SWEEP HAND LAWN SWEEPER</b>	<b>SIZE 25"</b>	<b>PRODUCTION YEAR 1962-1963</b>	<b>MODEL No. TK-6225</b>
--	---------------------	--------------------------------------	------------------------------

Ref. No.	Part No.	Qty. Req.	Description	Ref. No.	Part No.	Qty. Req.	Description
<del>1</del>	<del>62-106-E</del>	<del>1</del>	<del>Handle - Upper</del>	25	*355-416	8	Nut - Square 1/4 - 20
<del>2</del>	<del>62-103-D</del>	<del>1</del>	<del>Basket - Assembly</del>	26	59-26-B <sup>cep</sup>	2	Gear - Wheel
<del>3</del>	<del>62-104-A</del>	<del>2</del>	<del>Dowel - Basket R.H.</del>	27	59-20-C	4	Wheel - Rim
4	62-100-LB	1	Bracket - Lower Basket L.H.	<del>28</del>	<del>59-54-C</del>	<del>6</del>	<del>Screw - Truss Phillips Hd.</del> 1/4 - 20 x 1/2
5	52-141-B	2	Brush Assembly <i>BK-12</i>	29	*380-332-16	2	Cotter Pin 3/2 x 1
<del>6</del>	<del>52-140-B</del>	<del>1</del>	<del>Reel Shaft</del>	30	59-46-A	2	Hub Cap
7	*515-416-24	2	Screw - Rd. Hd. 1/4 - 20 x 1 1/2	31	*515-416-6	2	Screw - Rd. Hd. 1/4 - 20 x 3/8
8	355-416-1	10	Stamped Square Nut 1/4 - 20	32	62-99-RB	1	Bracket - Lower Basket R.H.
9	62-112-B	2	Roller Assembly	<del>33</del>	<del>62-107-E</del>	<del>1</del>	<del>Support - Frame</del>
10	62-110-D	1	Hood Assembly	34	*515-416-32	2	Screw - Rd. Hd. 1/4 - 20 x 2
11	59-43-D	1	Frame Assembly	35	62-75-A	2	Roller - Wood
12	946-1316-20	4	Washer - Fiber	36	62-76-A	2	Spacer - Wood Roller
13	54-197-B	2	Tire <i>R/W 63-224-B</i>	37	62-77-B	2	Bracket - Wood Roller
14	59-44-C	2	Wheel Assembly	38	*515-416-16	4	Screw - Rd. Hd. 1/4 - 20 x 1
15	55-161-A	2	Washer - Special	39	*65-416-12	2	Bolt - Hex Hd. 1/4 - 20 x 1/4
16	*335-516	2	Nut - Hex 5/16 - 18	40	59-77-A	2	Clamp
17	*945-516	2	Washer - SAE Plain 5/16	41	62-109-RB	1	Handle - Lower R.H.
18	59-29-A	2	Spacer	<del>42</del>	<del>62-105-B</del>	<del>2</del>	<del>Rod - Handle Support</del>
19	59-55-A	2	Screw - Truss Slot Hd. 5/16 - 18 x 3/4	<del>43</del>	<del>62-108-LB</del>	<del>1</del>	<del>Handle - Lower L.H.</del>
20	*70-516-12	1	Bolt - Carriage 5/16 - 18 x 3/4	44	*515-416-20	2	Screw - Rd. Hd. 1/4 - 20 x 1 1/4
21	936-716	1	Washer Lock - Thin 5/16	45	*936-416	2	Washer - Lock 1/4
22	59-47-B	1	Knob - Adjusting	46	*335-416	2	Nut - Hex 1/4 - 20
23	45-25-A	2	Pawl	47	62-84-B	2	Bracket - Upper Basket
24	<sup>45</sup> 56-18-RC <sup>A</sup>	1	Pinion - R.H. (shown)	48	60-12-A	2	Bearing - Nylon
	<sup>45</sup> 56-19-LC <sup>A</sup>	1	Pinion - L.H. (not shown)				

TK-6225

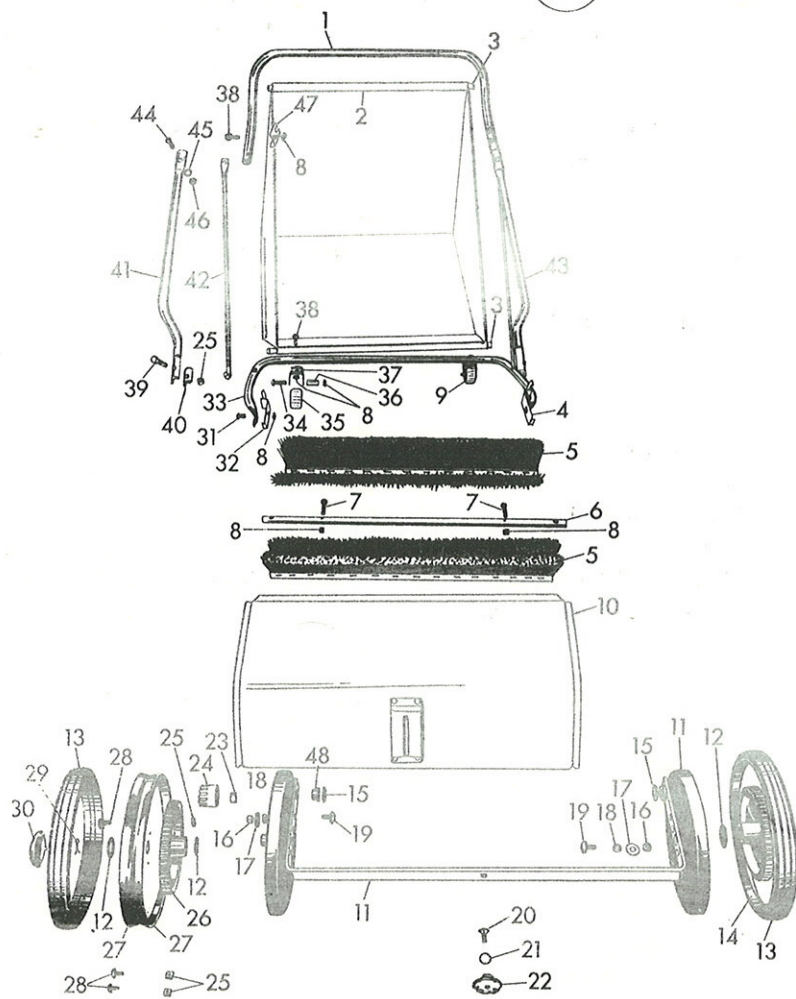
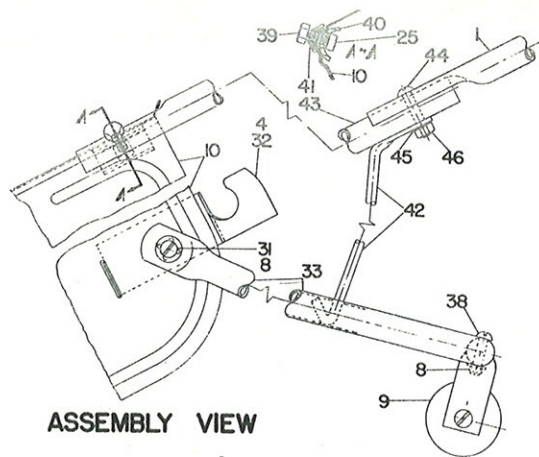
**ALWAYS GIVE THE FOLLOWING INFORMATION WHEN ORDERING REPAIR PARTS**

1. Part Number, Quantity.
2. Model Number (found on Hood).
3. Year, Model, Serial Number (found on Guarantee Card).

Your unit is right hand (R.H.) or left hand (L.H.) as you stand behind it.

\*Standard hardware items may be purchased locally.

**PARKER SWEEPER COMPANY**



TK-6225