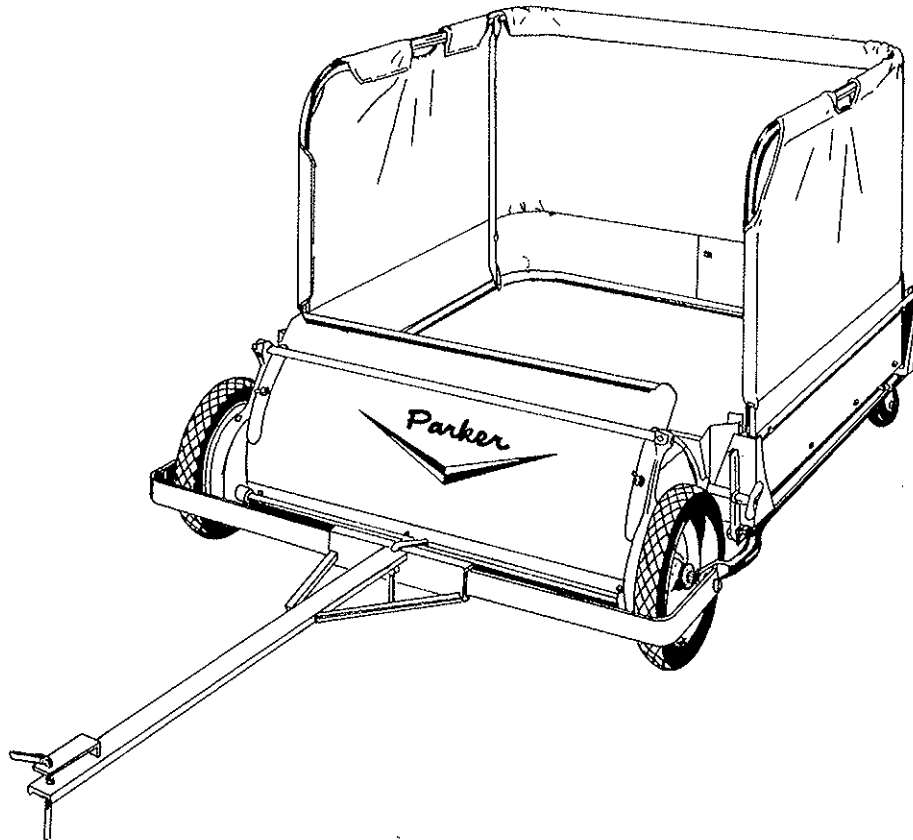
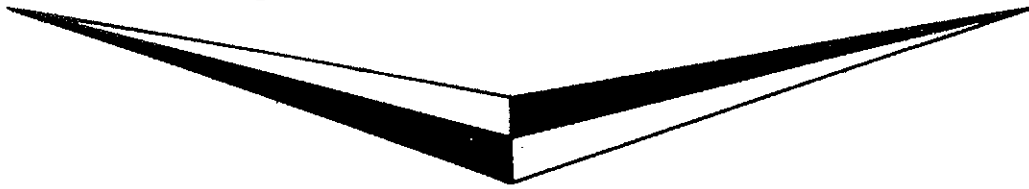


OPERATING INSTRUCTIONS
AND PARTS LIST FOR
SU-16836 SUBURBANITE


Parker



NOTICE: We recommend that the user of our LAWN SWEEPER read all instructions carefully before assembling and operating the Sweeper to obtain the best results. While reading assembly instructions study the assembled view and also the exploded view as to the location and arrangement of parts.

PARKER SWEEPER COMPANY

Box 720

SPRINGFIELD, OHIO

ASSEMBLY INSTRUCTIONS

1. REFER TO FIGURE 3. Insert left top front basket tube, Ref. 8, in openings in canvas and assemble to frame support bracket, Ref. 4, with Rd. Hd. screw, nut, and washer, Ref. 18, 21, and tighten.
2. Repeat instruction No. 1 for right side.
3. Raise rear top basket tube, Ref. 10, as high as possible and slide handle clamps, Ref. 11, onto ends of top front basket tubes, Ref. 8 and 9. Fasten with Rd. Hd. screws, nuts, and washers, Ref. 18 and 21.
4. Raise upper basket support tubes, Ref. 6, and assemble to rear top basket tube, Ref. 10, with Rd. Hd. screws, nuts, and washers, Ref. 18 and 19. Tighten all remaining hardware.
5. REFER TO FIGURE 4. Remove coupling pin, Ref. 1, from swivel pin, Ref. 2. Place tongue assembly, Ref. 4, onto yoke, Ref. 5, Detail C, Fig. 4, being sure large hole in tongue lines up with swivel pin. Hold in place with coupling pin.

OPERATING INSTRUCTIONS

Brush Height Adjustment. Loosen large wing nut, Fig. 2, Detail A, Ref. 2. To raise brushes to extreme height, pull sweeping unit forward as far as slots in brush adjustment brackets, Fig. 2, Detail A, Ref. 5, will permit. To lower brushes to lowest position, push sweeping unit backward as far as slots will permit. Secure wing nut when desired adjustment is obtained.

1. For grass clippings or leaves adjust hood, Fig. 1, Ref. No. 6, and brushes at highest position. After trial run on lawn, should the settings be too high, lower slightly and try again until correct setting is found. Brush life may be prolonged by adjusting so contact with ground is light. The lighter the contact, the longer the wear and easier to pull.

2. For patio, sidewalk and driveway sweeping, adjust hood to bottom position. The hood is in correct position when it does not drag or throw sweepings ahead of sweeper. Also adjust brushes so they just contact cement.

NOTE: IF SWEEPER PULLS HARD, THE BRUSHES OR HOOD ARE SET TOO LOW.

Operation. The load can be dumped from the basket by tipping it to either side. It is often found desirable to discharge the basket directly onto a disposal cloth. The Suburbanite basket can also be emptied by re-

moving from the sweeper and discharging directly into a truck, trailer or on the trash pile.

Maintenance. Place a few drops of oil into the 2 oilers which are located on each side plate, Fig. 1, Ref. 7 and 17, every time the machine is used or twice a day when machine is used all day. The casters should be lubricated at the same time.

Canvas Basket Care. The basket should always be emptied immediately of wet clippings or leaves. Not doing so will cause it to mildew. Always store the sweeper in a dry place.

Care and Replacement of Brushes. The brushes used on this sweeper are made of the finest bristles that will give years of service if given proper care. Should they become bent from constant use, it is possible to straighten bristles by reversing the brushes on the reel shaft, so that the sweeping pressure is applied from the opposite side.

To reverse or replace brushes:

1. Remove basket and turn sweeper upside down.
2. Remove cap screws & clamps items 8 & 24 Fig. 3 which hold the brush strips to the reel shaft brackets. Reverse and replace the brush strip and clamps, then retighten the cap screws.

ALWAYS GIVE THE FOLLOWING INFORMATION WHEN ORDERING REPAIR PARTS

Order all parts from your nearest dealer.

1. Part Number and Quantity.
2. Model Number (found on Hood).
3. Serial Number (found on Guarantee Card).

Your unit is right hand (R. H.) or left hand (L.H.) as you stand behind it.

* Standard hardware items may be purchased locally.

SUBURBANITE LAWN SWEEPER	SIZE 36"	PRODUCTION YEAR 1969	MODEL No SU-16836
--------------------------	-------------	-------------------------	----------------------

SWEEPER UNIT ASSEMBLY

FIGURE 1

Ref. No.	Part No.	Qty. Per Unit	Description	Ref. No.	Part No.	Qty. Per Unit	Description
1	68-37-B	1	Hood Extension. <i>90-29</i>	20	58-14-D-1	2	Wheel
2	*515-10-8	3	Screw - Rd. Hd. #10-24 x 1/2.	21	53-01-B	2	Tire <i>68-270-B</i>
3	*945-516	2	Washer - 3/8	22	56-18-RC *	1	Pinion - R. H., not shown
4	*351-516-20	2	Wing Nut - 3/8-18 x 1 1/4	23	*945-816	2	Washer - Flat SAE 1/2
5	49-11-A	2	Hood Clamp	24	368-816	2	Nut - Hex Lock 1/2 (Thin)
6	68-88-D	1	Hood	25	363-816	2	Nut - Hex Lock 1/2
7	SA-116-RC	1	Side Plate - R. H. <i>90-03-D</i> <i>76-338-RF</i>	26	58-06-A	2	Sleeve
8	*346-10	3	Speed Nut #10	27	*505-416-8	4	Screw - Flat Hd. 1/4-20 x 1/2
9	*560-C-516-10	6	Set Screw - Sq. Hd. 3/8-18 x 3/8	28	946-1016-16	2	Washer - Fiber
10	*65-516-12	2	Bolt - Hex. Hd. 5/16-18 x 3/4	29	56-19-LC *	1	Pinion - L. H., shown <i>USE PINION KIT</i>
11	61-416-B	8	Bolt - Self Tap <i>61-416-16</i>	30	50-33-A	2	Washer - Special
12	68-34-A	1	Tie Rod - Top	31	53-35-A	2	Axle
13	1200-17-B	8	Brush Assembly	32	68-60-A	2	Bearing
14	53-176-D	2	Reel Guard	33	69-04-A	8	Clamp - Brush Strip
15	45-25-A *	2	Pawl	34	69-09-B	1	Reel Shaft <i>SA-788-D</i>
16	68-35-A	1	Adjusting Tube	35	68-33-A	1	Tie Rod - Front
17	<i>SA-117-LG</i>	1	Side Plate - L. H. <i>76-339-LF</i>	36	68-44-A	2	Spacer - Axle
18	56-94-B	2	Cover - Pinion <i>80-01-B</i>	37	65-416-20	2	Bolt - Hex. Hd. 1/4-20 x 1 1/4
19	58-05-A	4	Washer - Special	38	365-416	2	Nut - Hex. Lock 1/4-20

6 PINION KIT - SA-1583-B

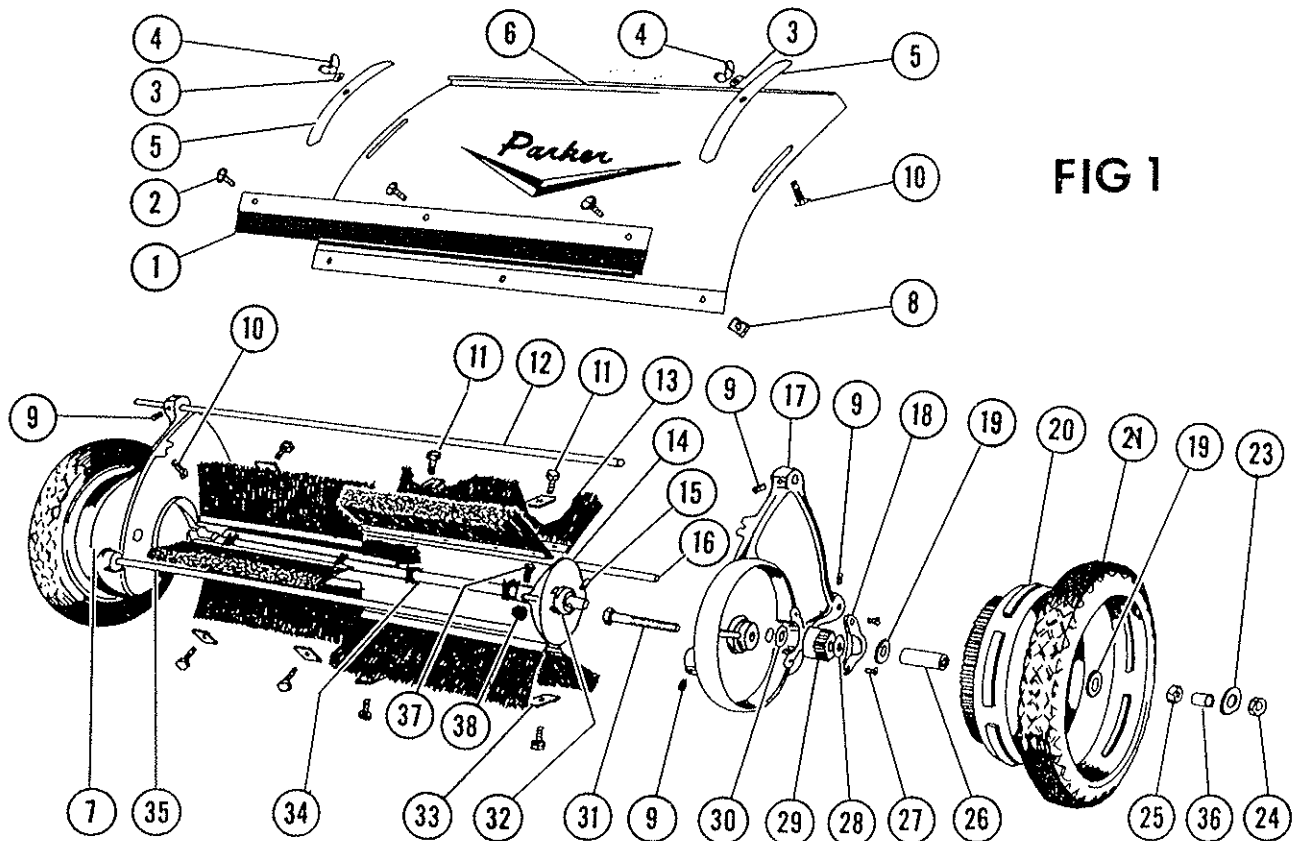


FIG 1

BASKET SUPPORT FRAME ASSEMBLY

FIGURE 2

Ref. No.	Part No.	Qty. Per Unit	Description
1	58-53-RC	1	Support — Front R. H.
2	*505-416-20	2	Screw — Flat Hd. ¼-20 x 1¼
3	*365-416	12	Nut — Lock ¼-20
4	68-41-B	1	Frame — Basket Support
5	*65-416-20	4	Bolt — Hex Hd. ¼-20 x 1¼
6	*505-416-16	8	Screw — Flat Hd. ¼-20 x 1
7	58-51-RE	1	Support — Rear Corner R. H.
8	58-118-B	2	Brace
9	58-133-A	2	Caster
10	58-50-LE	1	Support — Rear Corner L. H.
11	58-54-LC	1	Support — Front Corner L. H.
12	68-43-B	1	Support — Tubular
13	*505-416-24	8	Screw — Flat Hd. ¼-20 x 1½
14	*364-416	14	Nut — Lock ¼-20 (Thin)
15	505-416-28	4	Screw — Flat Hd. ¼-20 x 1¼

Ref. No.	Part No.	Qty. Per Unit	Description
DETAIL A, FIGURE 2			
1	68-59-A	1	bolt — Special
2	351-516-40	1	Nut — Wing ¾-18 x 2½
3	60-58-A	1	Spacer
4	945-516	5	Washer — Flat ¾
5	59-59-A	2	Bracket — Brush Adjustment
6	68-31-B	2	Support Angle
7	54-227-A	2	Spacer
8	65-416-12	2	Bolt — Hex Hd. ¼-20 x ¾
9	365-416	2	Nut — Lock ¼-20

Ref. No.	Part No.	Qty. Per Unit	Description
DETAIL B, FIGURE 2			
1	368-816	2	Nut — Hex, Self Lock (Thin) ¼-20
2	945-816	2	Washer — Flat SAE ½
3	68-44-A	2	Spacer — Axle
4	363-816	2	Nut — Hex, Elastic Stop ½-20

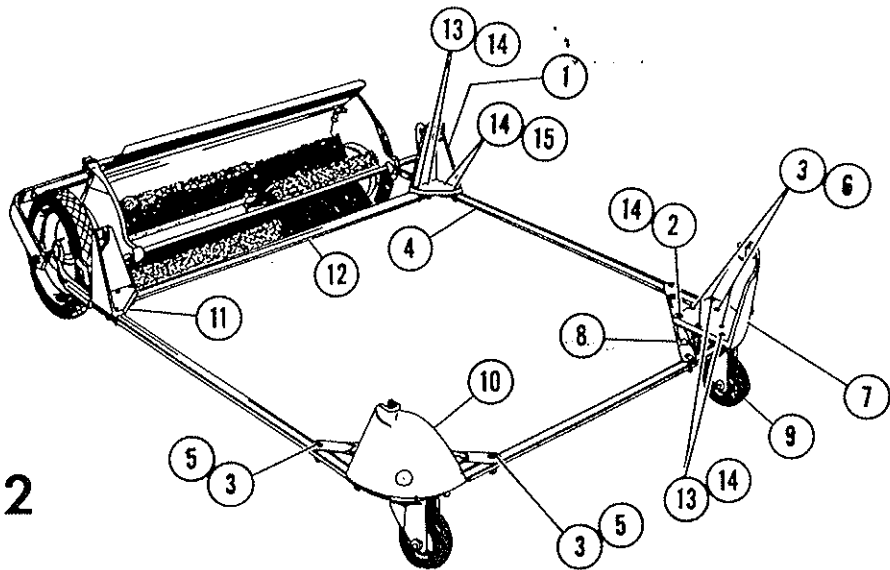
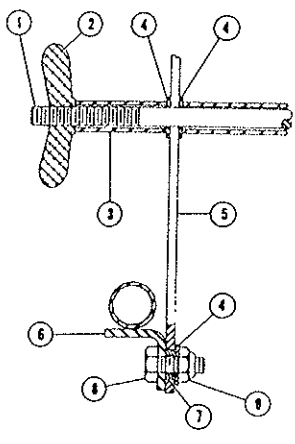
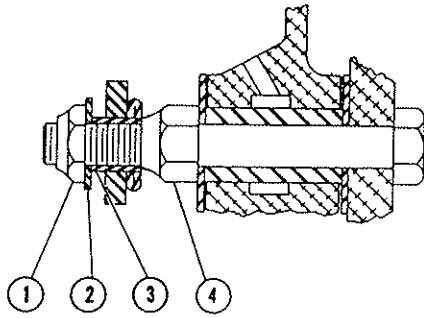


FIG 2



DETAIL A



DETAIL B

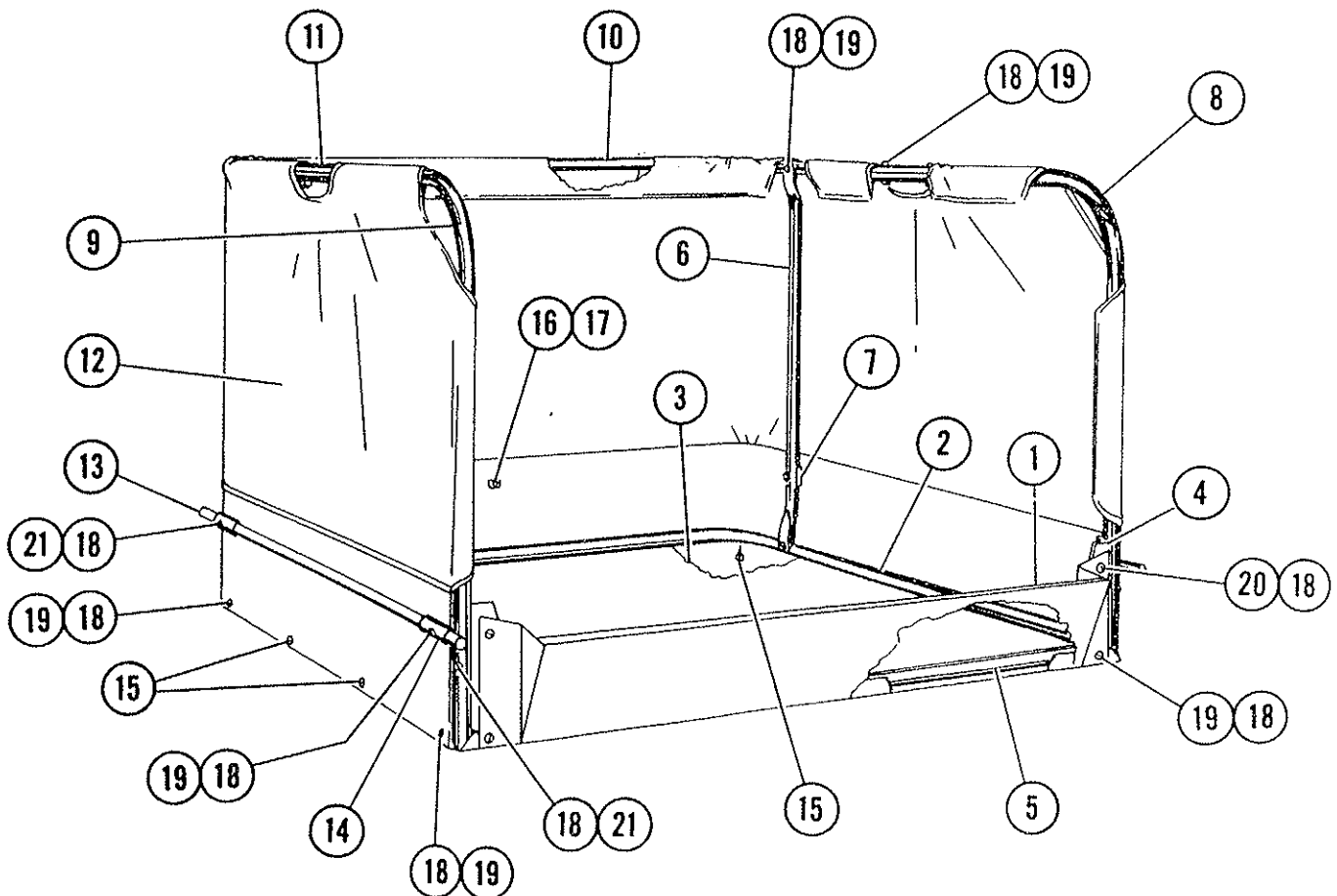
SUBURBANITE LAWN SWEEPER	SIZE 36"	PRODUCTION YEAR 1969	MODEL No. SU-16836
--------------------------	-------------	-------------------------	-----------------------

BASKET ASSEMBLY

FIGURE 3

Ref. No.	Part No.	Qty. Per Unit	Description	Ref. No.	Part No.	Qty. Per Unit	Description
1	68-40-C	1	Extension — Lower Front	11	58-124-C	4	Clamp — Handle
2	68-54-E	1	Frame — Basket Bottom	12	68-45-E	1	Basket — Sub Assembly
3	68-53-E	1	Bottom — Basket	13	58-126-B	2	Support Rod
4	58-52-C	2	Bracket — Frame	14	63-289-A	4	Reinforcement
5	68-55-B	1	Tube — Front Basket	15	534-14-8	15	Screw — Sheet Metal — Washer Hex Hd.
6	58-123-B	2	Support — Frame	16	515-416-6	1	Screw — Rd. Hd. ¼-20 x ¾
7	59-77-A	2	Tube Clamp	17	346-416	1	Speed Nut ¼
8	58-121-LC	1	Frame — Basket, Front Top L. H.	18	365-416	20	Nut — Lock ¼-20
9	58-122-RC	1	Frame — Basket, Front Top R. H.	19	65-416-20	14	Bolt — Hex Hd. ¼-20 x 1½
10	68-56-C	1	Tube — Rear Top Basket	20	65-416-12	2	Bolt — Hex Hd. ¼-20 x ¾
				21	65-416-24	4	Bolt — Hex Hd. ¼-20 x 1½

OBS
Y-32-D

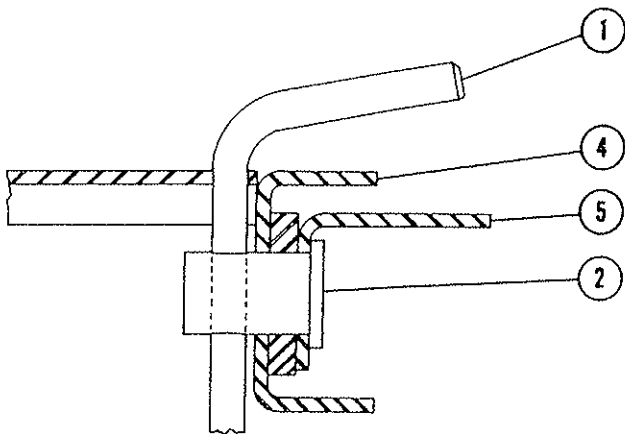
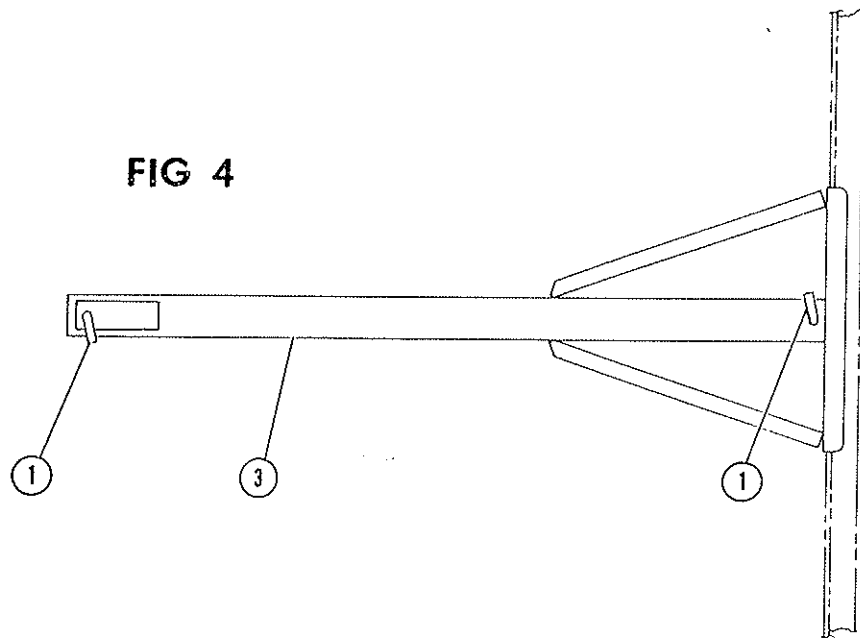


TONGUE ASSEMBLY

FIGURE 4

Ref. No.	Part No.	Qty. Per Unit	Description
1	58-113-A	2	Pin - Hitch <i>8/14-A</i>
2	68-71-A	1	Pin - Swivel <i>68-71-A</i>
3	58-111-D	1	Tongue Hitch Assembly
4	58-110-D-2	1	Channel
5	68-79-A	1	Angle

FIG 4



DETAIL C