

SUBURBANITE LAWN SWEEPER	SIZE 30''	PRODUCTION YEAR 1963	MODEL No. SU - 6230A
--------------------------	--------------	-------------------------	-------------------------

SWEEPER UNIT ASSEMBLY

FIGURE 1

REF. No.	PART No.	QTY. PER UNIT	DESCRIPTION	REF. No.	PART No.	QTY. PER UNIT	DESCRIPTION
1	67-06-B	1	Hood Extension	20	58-14-2D-1	2	Wheel
2	65-10-6	3	Bolt - Hex Hd. 10-24 x 3/8	21	53-01-B	2	Tire 68-570-B
3	*945-516	2	Washer - 3/8	22	56-18-RC	1	Pinion - Right Hand - Not Shown
4	*351-516-20	2	Wing Nut - 3/8-18 x 1 1/4	23	53-20-A	2	Hub Cap
5	49-11-A	2	Hood Clamp	24	325-816	2	Nut - Hex - 1/2-20
6	62-25-D	1	Hood	25	345-816	2	Nut - Hex - Jam 1/2-20
7	59-116-RC	1	Side Plate - Right Hand	26	58-06-A	2	Sleeve
8	*346-10	3	Speed Nut - No. 10	27	*505-416-8	4	Screw - Flat Hd. 1/4-20 x 1/2
9	560-C-516-10	6	Set Screw - Sq. Hd. 3/16-18 x 3/8	28	946-1016-16	2	Washer - Fiber
10	*66-516-12	2	Bolt - Sq. Hd. 3/16-18 x 3/4	29	56-19-LC	1	Pinion - Left Hand - Shown
11	65-416-28	4	Bolt - Hex Hd. 1/4-20 x 1 1/4	30	50-33-A	2	Washer - Special
12	62-05-A	1	Tie Rod - Top	31	53-35-A	2	Axle
13	62-20-B	1	Brush Assembly BK-10	32	48-336-A	2	Bearing 68-60-A
14	53-176-D	2	Reel Guard	33	365-416	4	Nut - Hex 1/4 - 20
15	45-25-A	2	Pawl	34	62-21-B	1	Reel Shaft
16	62-06-A	1	Adjusting Tube	35	49-17-A	4	Bracket - Brush
17	59-117-LC	1	Side Plate - Left Hand	36	62-04-A	1	Tie Rod - Front
18	56-94-B	2	Cover - Pinion 58-01-B				
19	58-05-A	4	Washer - Special				

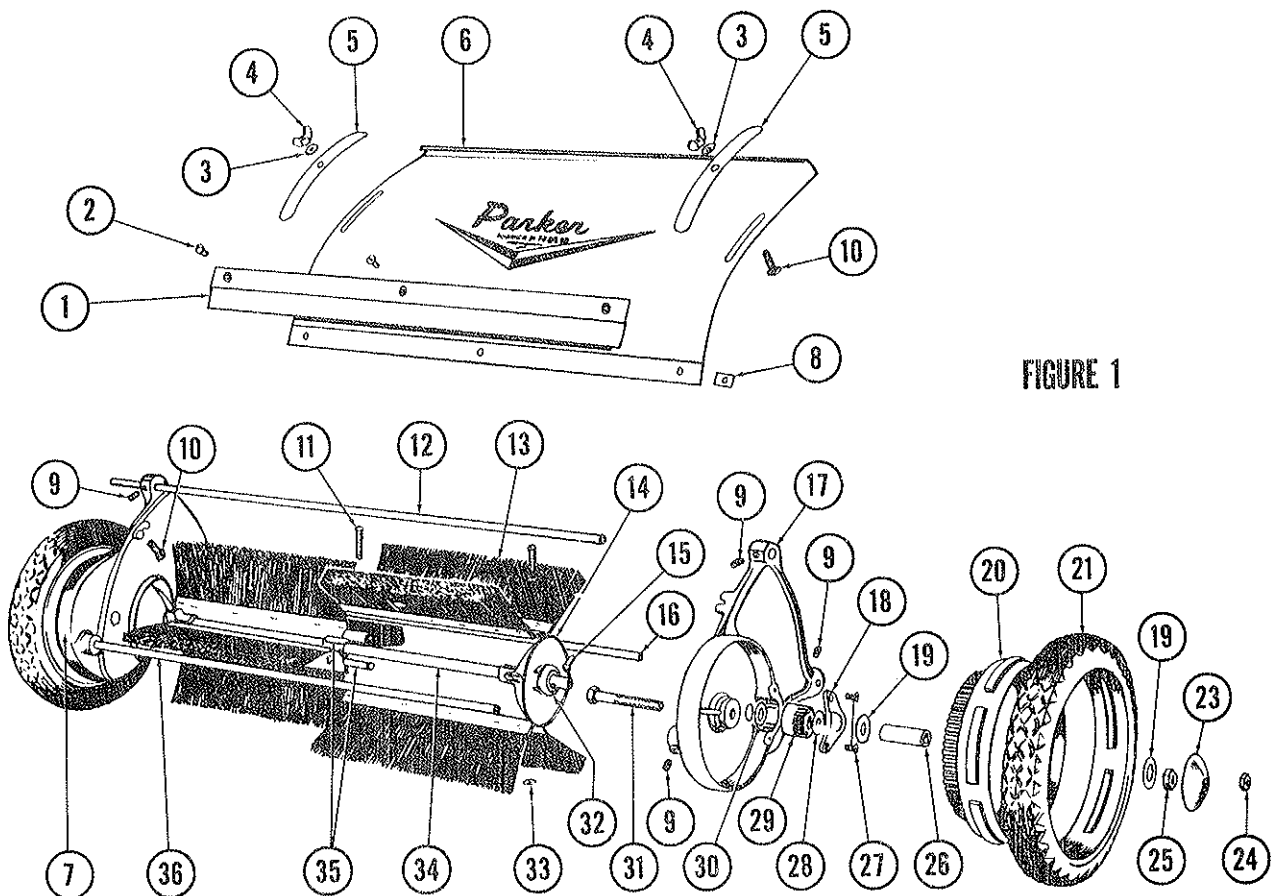


FIGURE 1

BASKET SUPPORT FRAME ASSEMBLY

FIGURE 2

REF. No.	PART No.	QTY. PER UNIT	DESCRIPTION
1	58-53-RC	1	Support—Front—Right Hand
2	*505-416-20	2	Screw — Flat Hd. $\frac{1}{4}$ - 20 x 1 $\frac{1}{2}$
4	365-416	26	Nut — Lock $\frac{1}{4}$ -20
5	62-23-D	1	Frame—Basket Support—
6	65-416-20	4	Bolt — Hex Hd. $\frac{1}{4}$ - 20 x 1 $\frac{1}{2}$
7	*505-416-16	8	Screw — Flat Hd. $\frac{1}{4}$ - 20 x 1
8	58-51-RE	1	Support—Rear—Right Hand
9	58-118-B	2	Brace
10	58-199-A	2	Caster 69-119-A
11	58-50-LE	1	Support—Rear—Left Hand
12	58-54-LC	1	Support—Front—Left Hand
13	62-08-B	1	Tubular Support—
14	*505-416-24	12	Screw—Flat Hd.— $\frac{1}{4}$ -20 x 1 $\frac{1}{2}$

REF. No.	PART No.	QTY. PER UNIT	DESCRIPTION
DETAIL A, FIGURE 2			
1	*70-516-20	2	Bolt — Carriage $\frac{3}{16}$ - 18 x 1 $\frac{1}{4}$
2	59-14-A	1	Spacer—
3	351-516-40	1	Wing Nut — $\frac{3}{16}$ x 18 x 2 $\frac{1}{2}$
4	62-07-A	1	Bolt — Adjusting
5	*945-516	5	Washer — $\frac{3}{16}$
6	67-16-A	2	Bracket — Brush Adjustment
7	*936-516	2	Washer — Lock $\frac{3}{16}$
8	*335-516	2	Nut — Hex $\frac{3}{16}$ - 18
9	54-227-A	2	Spacer

REF. No.	PART No.	QTY. PER UNIT	DESCRIPTION
DETAIL B, FIGURE 2			
1	53-198-A	2	Extension—Axle—
2	*380-432-24	2	Cotter Pin — $\frac{1}{8}$ x 1 $\frac{1}{2}$
3	62-31-D	1	Yoke
4	345-816	2	Nut — Hex Jam $\frac{1}{2}$ - 20

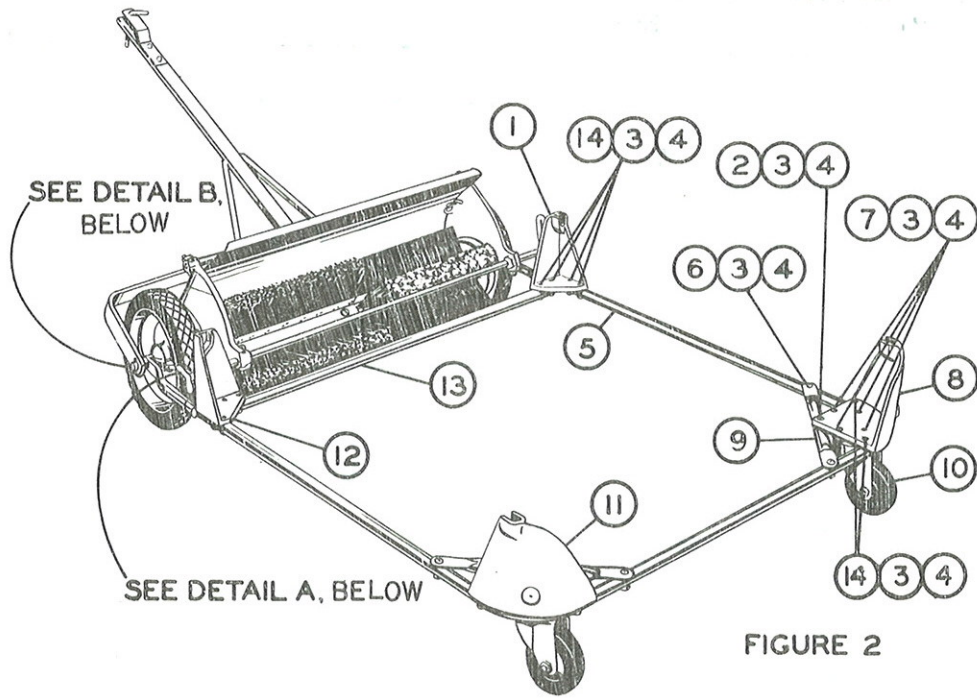
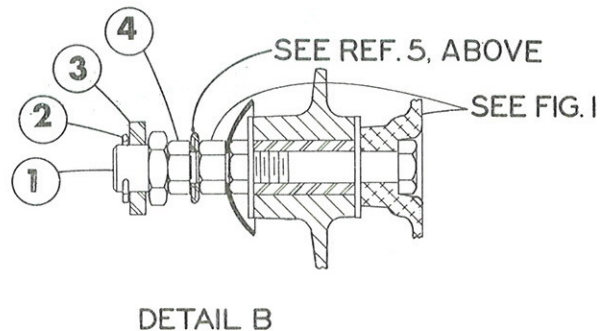
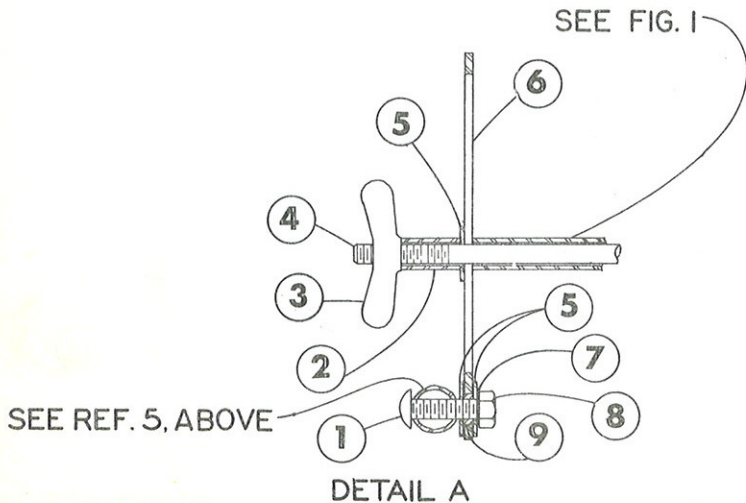


FIGURE 2



SUBURBANITE LAWN SWEEPER	SIZE 30''	PRODUCTION YEAR 1963	MODEL No. SU - 6230A
--------------------------	--------------	-------------------------	-------------------------

BASKET ASSEMBLY

FIGURE 3

REF. No.	PART No.	QTY. PER UNIT	DESCRIPTION	REF. No.	PART No.	QTY. PER UNIT	DESCRIPTION
1	62-30-F	1	Basket Assembly Complete	13	58-126-B	2	Support — Rod
2	62-14-C	1	Tube — Rear Top Basket	14	62-29-E	1	Basket Canvas
3	*515-416-16	2	Screw — Rd. Hd. ¼ - 20 x 1	15	58-122-RC	1	Top Front Basket Tube — Right Hand
4	*335-416	12	Nut — Hex ¼ - 20	16	58-124-C	4	Clamp — Handle
5	*936-416	12	Washer — Lock ¼	17	*515-416-6	1	Screw — Rd. Hd. ¼ - 20 x ¾
6	*515-416-20	14	Screw — Rd. Hd. ¼ - 20 x 1½	18	*346-416	1	Speed Nut ¼
7	58-121-1C	1	Top Front Basket Tube — Left Hand	19	58-125-B	2	Tube — Upper Basket Support
8	58-52-C	2	Bracket — Frame Support	20	62-27-E	1	Basket Bottom
9	*515-416-8	2	Screw — Rd. Hd. ¼ - 20 x ½	21	62-26-E	1	Frame — Basket Bottom
10	62-09-B	1	Tube — Front Bottom Basket	22	62-17-D	1	Hood Extension
11	*530-14-8	15	Screw — Sheet Metal ½	23	355-416-1	8	Sq. Nut — Stamped ¼ - 20
12	*515-416-24	2	Screw — Rd. Hd. ¼ - 20 x 1½				

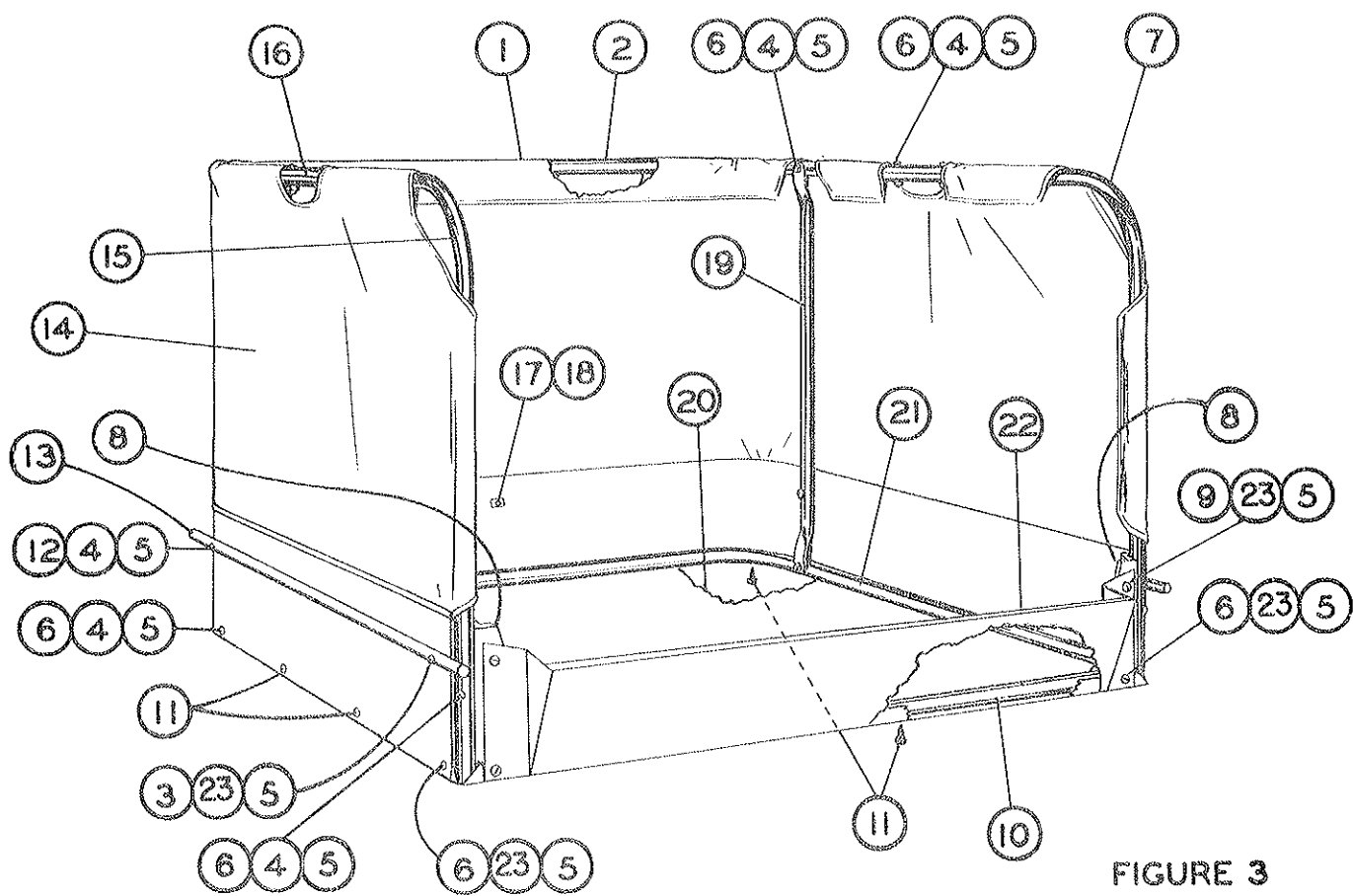


FIGURE 3

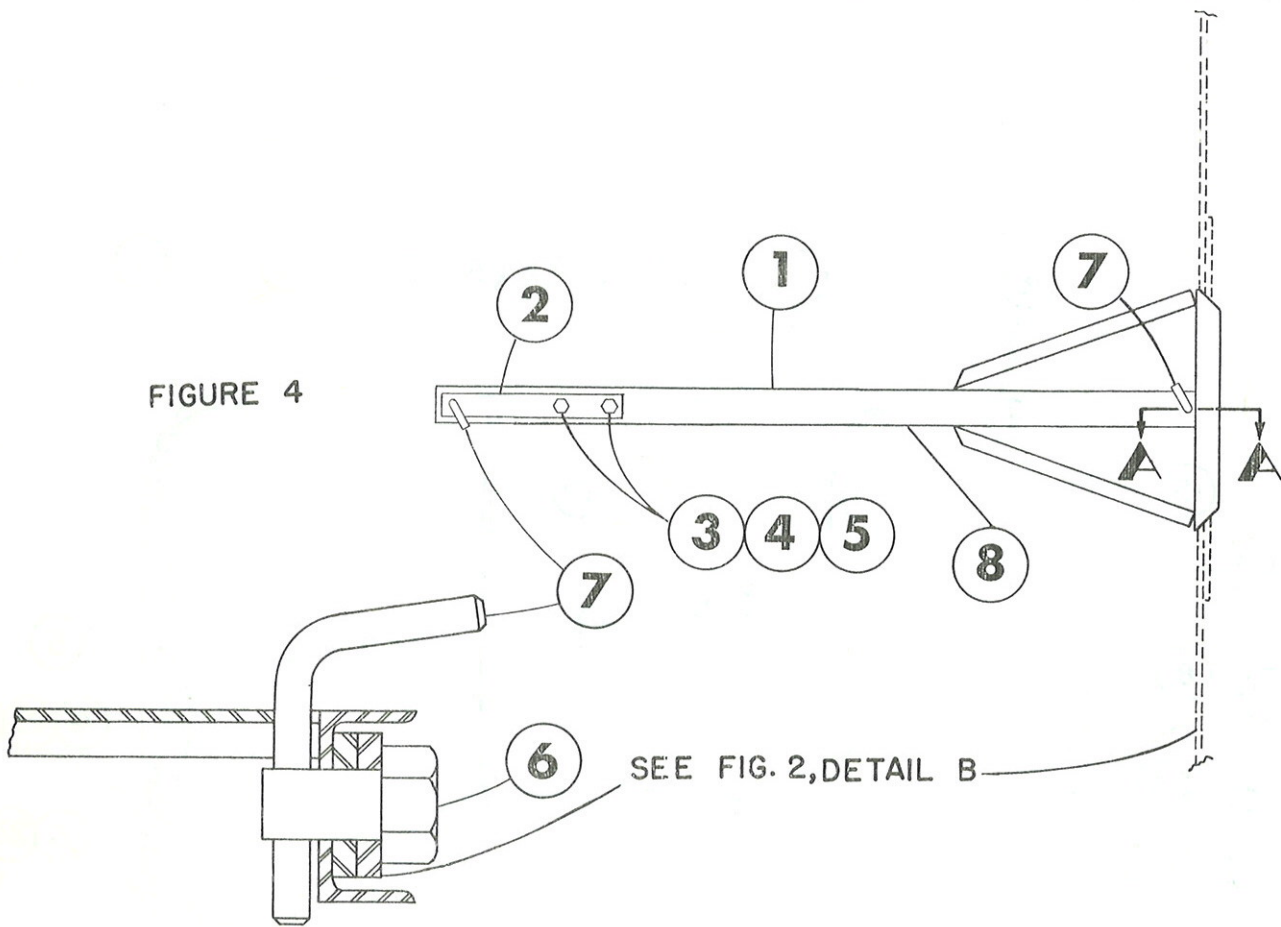
TONGUE ASSEMBLY

FIGURE 4

REF No.	PART No.	QTY. PER UNIT	DESCRIPTION
1	58-111-C	1	Tongue Assembly—Complete
2	58-109-B	1	Bracket
3	*65-516-12	2	Bolt—Hex Hd. $\frac{5}{16}$ - 18 x $\frac{3}{4}$
4	*936-516	2	Washer—Lock $\frac{5}{16}$
5	*335-516	2	Nut—Hex $\frac{5}{16}$ - 18
6	58-115-A	1	Pin—Swivel
7	58-113-A	2	Pin—Coupling
8	58-110-D	1	Tongue

81-14-A

FIGURE 4



SEE FIG. 2, DETAIL B

SECTION A-A