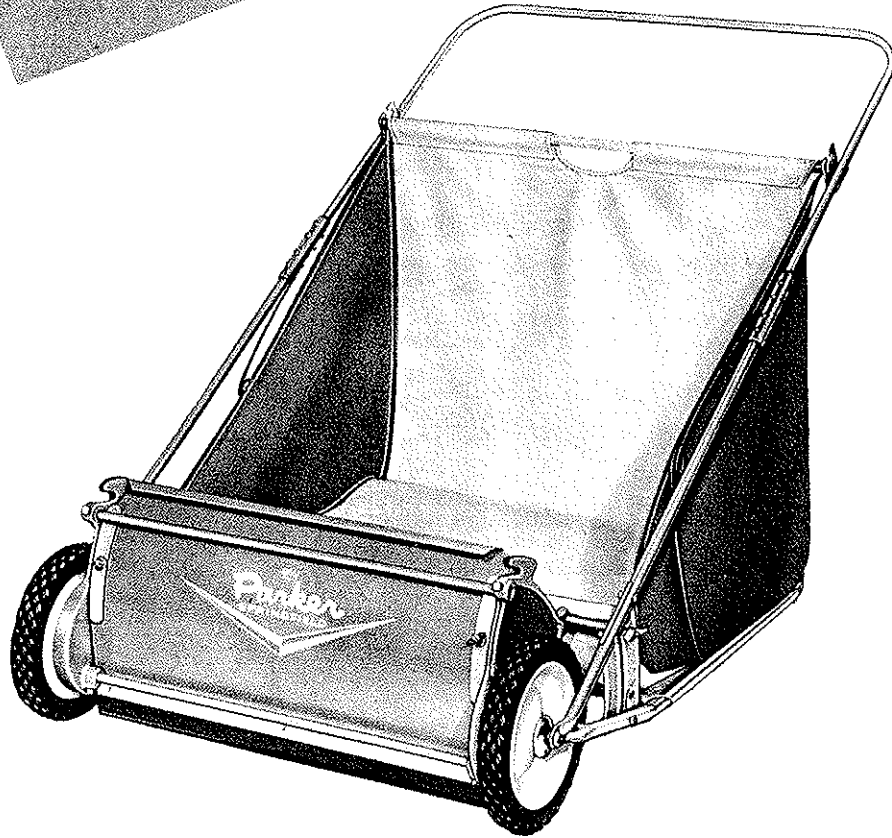


MODEL
SP-5628

PARKER

Springfield

LAWN SWEEPER



OWNERS GUIDE

PARKER
SWEEPER *Company*

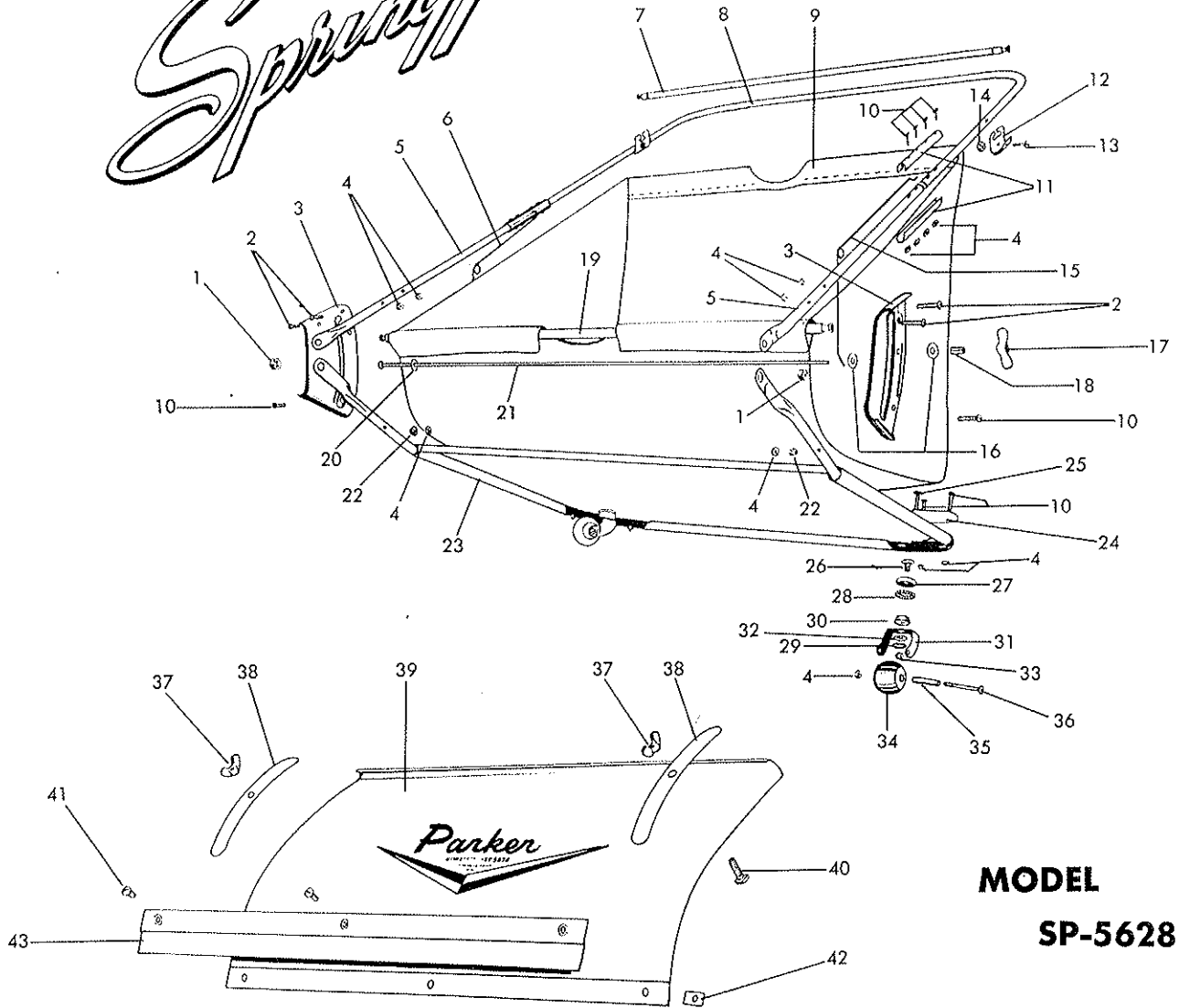
ESTABLISHED 1884 SPRINGFIELD, OHIO · U. S. A.

PARTS LIST AND ASSEMBLY INSTRUCTIONS FOR THE

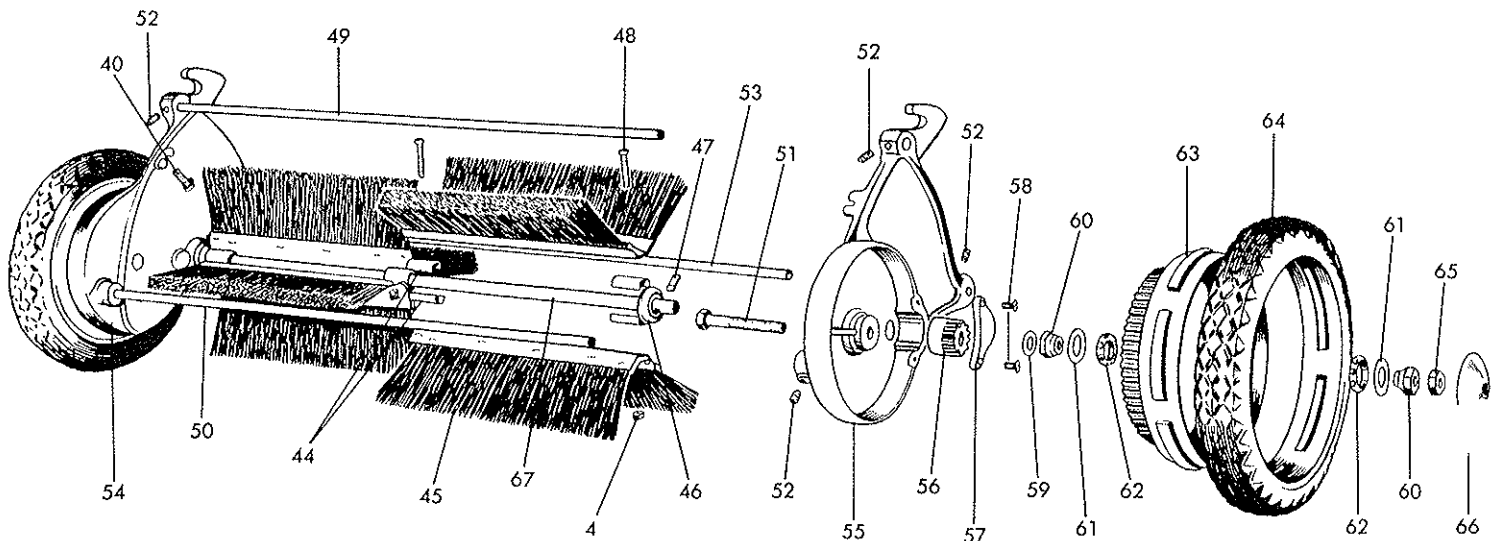
PARKER

Springfield

LAWN SWEEPER



**MODEL
SP-5628**



Parts with description are listed in numerical order on other side.

SPRINGFIELD SP-5628 PARTS LIST

REF. NO.	DESCRIPTION OF PART	PART NO.	NO. REQ.
1	Light Hex Nut Bolt Grip Lock Nut	866-816	2
2	Rd. Hd. Mach. Screw ¼ N.C. x 1"	515-416-16	4
3	Plate—Adjusting—	53-05C	2
4	Hex Nut—Self Locking	335-416	24
5	Handle Extension—	53-400	2
6	Spring—Handle Support Right Side	53-430	1
7	Rod (Top Basket)	53-098	1
8	Handle—	53-48C	1
9	Basket—	53-300	1
10	Rd. Hd. Mach. Screw ¼ N.C. x 1¼"	515-416-20	14
11	Clamp—Handle	53-44B	4
12	Bracket—Basket Top Rod	53-03A	2
13	Rd. Hd. Mach. Screw 10-24 x 1¼"	515-10-20	2
14	Lock Nut	365-10	2
15	Spring—Handle Support—Left Side	53-400	1
16	Washer ⅝ I.D. x ¾ O.D.	945-416	2
17	Wing Nut ⅝ N.C. x 2½ Wing Span	351-516-40	1
18	Spacer—Adj. Tube <i>R/W 50-213-4</i>	53-08A	1
19	Rod—Bottom Basket	53-45B	1
20	Washer—Plain S.A.E. 1⅜ I.D. x 1⅝ O.D.	960-616	1
21	Adjusting Bolt—Special—	53-28A	1
22	Spacer Nut	53-18A	2
23	Frame—Support Assembly	53-37C	1
24	Caster Mounting Plate	53-02B	2
25	Truss Head Screw ⅝ N.C. x 1¼"	526-516-20	2
26	Retainer—	47-216A	2
27	Race—	47-214A	2
28	Bearing and Retainer—	45-22A	2
29	Lock Washer	936-516	2
30	Cone—	47-215A	2
31	Caster Fork	47-218B	2
32	Washer—Plain ⅝ I.D. x ⅞ O.D.	945-516	2
33	Hex Nut	335-516	2
34	Roller—Rubber	45-70A	2

REF. NO.	DESCRIPTION OF PART	PART NO.	NO. REQ.
35	Roller Axle—	45-71A	2
36	Rd. Hd. Mach. Screw ¼ N.C. x 2¼"	515-416-44	2
37	Wing Nut—⅝ N.C. x 1¼ Wing Span	351-516-20	2
38	Hood Reinforcement	49-11A	2
39	Hood—	63-12C	1
40	Square Head Bolt ⅝ N.C. x 1"	66-516-16	2
41	Rd. Head Mach. Screw 10-24 x ½"	515-10-8	3
42	Speed Nut 10-24	346-10	3
43	Hood Extension—	53-17B	1
44	Brush Bracket	49-17A	8
45	Brush Assembly <i>R/W BK-2</i>	49-8B	4
46	Bearing—Reel Shaft <i>R/W 68-60-A</i>	48-936-A	2
47	Pawl	45-25A	2
48	Square Head Bolt ¼ N.C. x 1½"	66-416-24	4
49	Top Tie Rod	48-14A	1
50	Front Tie Rod	45-57A	1
51	Axle	53-35A	2
52	Allen Hd. Set Screw Cup Point ⅝ N.C. x ½"	560-C-516-10	6
53	Adjusting Tube	53-22A	1
54	Right Hand Side Plate	55-07RE	1
55	Left Hand Side Plate—	55-80LE	1
56	Pinion (Left Hand) <i>R/W</i>	45-19LA	1
56	Pinion (Right Hand) <i>SA-1583-B</i>	45-18RA	1
57	Pinion Gear	48-226A	2
58	Flat Head Screw ¼ N.C. x ½"	505-416-8	4
59	Internal Tooth Lock Washer (Shakeproof Type 12)	936-816	4
60	Cone	53-25A	4
61	Fiber Washer ½ x ⅞ I.D. x 1⅞ O.D.	946-1416-20	4
62	Bearing and Retainer	53-27A	4
63	Wheel <i>R/W 58-14-D-1</i>	5800-C	2
64	Tire <i>R/W 68-270-B</i>	58-01B	2
65	Hex Nut—Light ½ N.F.	345-816	2
66	Hub Cap—	53-20A	2
67	Reel Shaft	49-7B	1

ASSEMBLY INSTRUCTIONS

Your new Parker Springfield Lawn Sweeper comes to you complete in one carton, ready to operate except for attaching the Handle and fastening the Adjustment Side Plates to the Handle. To do this follow these simple instructions.

1. Remove the two screws from the top of the two Adjustment Side Plates, (Reference No. 3 on drawing) and fasten Plate to the Handle Extensions (Ref. No. 5). Tighten the lock nuts securely.
 2. Remove the two screws from each of the Handle Clamps (Ref. No. 11) and fasten the Handle (Ref. No. 8) into the Clamps and tighten the nuts very securely.
 3. Insert the ends of each of the Handle Support Springs (Ref. No. 6 and 15) into the holes in the Frame (Ref. No. 23).
 4. Place Basket (Ref. No. 9) into brackets and your Parker Springfield is ready to serve you.
- See Operating Instructions for adjusting, maintenance and ordering replacement parts.

OPERATING INSTRUCTIONS

ADJUSTMENTS —

BRUSH HEIGHT: To adjust your new Parker Springfield Lawn Sweeper for brush height, place the left hand on the Hood and the right hand on the Wing Nut (Reference #17 on Parts Drawing). Loosen the Wing Nut and raise or lower the machine with the left hand to the desired height and tighten Wing Nut. Always keep your brushes adjusted as high as possible. This will add to the life of the brushes and also the machine will run with less resistance.

HOOD ADJUSTMENTS: To adjust the Hood, loosen the two Wing Nuts (Reference #37 on Parts Drawing) and raise or lower to the desired height. Always keep the hood low enough in front to prevent the sweepings from throwing ahead of the sweeper, but not so low that it may drag.

OPERATION — The leaves can be removed by dumping the Sweeper over forward or by removing the basket from the sweeper and dumping. If dumping on a fire, avoid getting the brushes or the canvas basket too near the flames.

If the brushes should become bent or deformed from continual use, wet thoroughly with water, and comb out straight with fingers. In severe cases, remove and reverse brushes by turning them end for end. Remember that brush life is prolonged by adjusting the brushes so they contact the sweeping surface lightly.

To store, hang against the wall by removing the Handle Support Springs from the lower Frame, collapsing the Basket and facing the rollers to the wall.

MAINTENANCE — The Parker Springfield Lawn Sweeper comes to you lubricated and ready to use. The Reel, Wheel and Caster Bearings are automotive type, sealed, annular bearings, and only need repacking with grease every year or so, depending on how much it is used. The caster wheels may be oiled by dropping a few drops of oil near the axle when the Sweeper is in use.

REPAIR PARTS — To eliminate errors and delay in shipping orders, always give the following information: The Model Number, found on the Left Hand Side Plate; year made or purchased; and Serial Number found on your guarantee card.

"Right" and "Left" refer to the sides of the Sweeper with operator standing at the operating position. Find the part wanted by referring to the drawing, then give the part number, and the quantity desired. Order all parts from your nearest dealer.

To make valid your guarantee, make certain you have returned your serial identification card.



SPRINGFIELD ACCESSORIES

WIND APRON

MODEL ~~WS-5628~~

An accessory furnished with your new Springfield sweeper. The use of a wind apron makes it possible to sweep on the windiest days. Easily attached and removed.

UNIVERSAL TRAILER HITCH

MODEL TH-5301 MA-495-D

With this optional accessory you can tow your Springfield behind any present power riding type lawn equipment you may now have. Order your Trailer Hitch by the Model Number from your Parker Lawn Sweeper Dealer.