

POWER CHIEF

SWEEPER UNIT AND ENGINE ASSEMBLY

MODEL PC-7625

SECTION 3

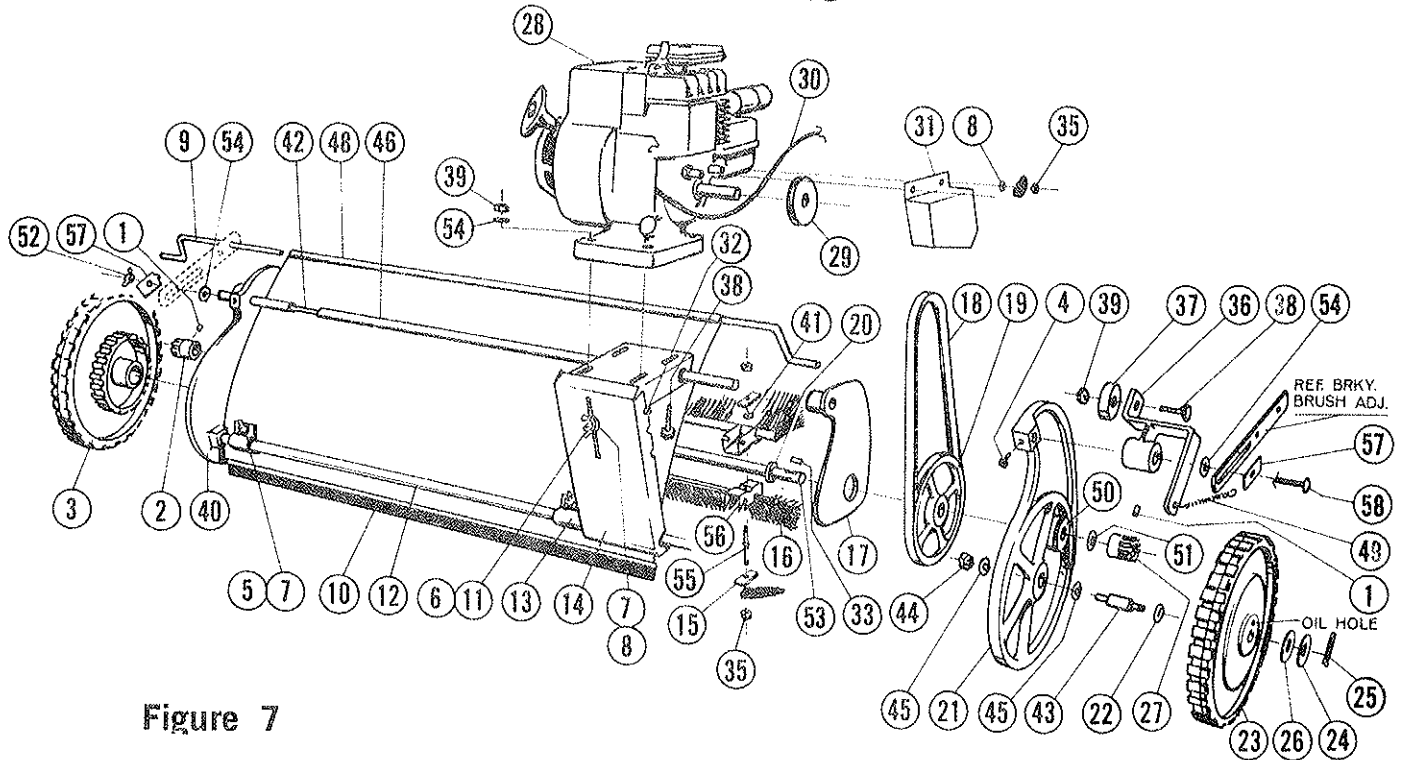


Figure 7

PARTS LIST

Ref. No.	Part No.	Qty. Per Unit	Description of Part	Ref. No.	Part No.	Qty. Per Unit	Description of Part
1	45-25-A	2	Pawl	30	75-56-A	1	Throttle Control Assembly
2	45-18-RA	1	Pinion	31	75-68-B	1	Guard-Engine Sheave
3	49-377-C	2	Wheel	32	60-65-A	1	Pin-Engine Leveling
4	560-C-516-10	6	Set Screw $\frac{5}{16}$ -18 x $\frac{5}{8}$	33	48-277-A	1	Key-Square $\frac{3}{16}$ x 1
5	70-416-12	2	Carriage Bolt $\frac{1}{4}$ -20 x $\frac{3}{4}$	34			
6	365-416	1	Nut-Hex Lock $\frac{1}{4}$ -20	35	362-416	8	Nut-Hex Plain $\frac{1}{4}$ -20
7	351-416-18	3	Wing Nut $\frac{1}{4}$ -20 x $1\frac{1}{8}$	36	75-111-B	1	Idler Arm Weldment
8	945-416	3	Washer-Plain-Flat $\frac{1}{4}$	37	75-57-A	1	Idler Pulley
9	75-65-B	2	Rod-Hood Control	38	65-516-24	5	Bolt-Hex Hd. $\frac{1}{4}$ -20 x $1\frac{1}{2}$
10	75-46-C	1	Hood Extension	39	365-516	5	Nut-Hex Lock $\frac{5}{16}$ -18
11	515-416-32	1	Rd. Hd. Screw $\frac{1}{4}$ -20 x 2	40	71-04-RD	1	Side Plate RH
12	60-50-B	1	Rod-Bottom Tie	41	75-89-A	3	Retainer-Stud
13	60-22-B	2	Hood Clamp	42	75-67-B	1	Tube-Adj.
14	60-24-C	1	Adj. Engine Brace	43	71-36-A	2	Axle
15	69-04-A	6	Clamp-Brush Strip	44	345-816	2	Nut-Hex Jam $\frac{1}{2}$
16	1200-25	4	Brush Strip Assembly	45	71-37-A	4	Washer-Special
17	75-39-D	1	Inner Side Plate	46	75-41-B	1	Mt. Engine Weldment
18	75-49-A	1	Belt-Vee	47			
19	75-44-B	1	Sheave-Reel	48	75-107-B	1	Hood & Silk Screen Assembly (PC-7525)
20	55-161-A	2	Washer-Special $\frac{5}{8}$		75-203-B	1	Hood & Silk Screen Assembly (PS-7625)
21	71-05-LD	1	Side Plate LH	49	75-61-A	1	Spring-Clutch
22	946-1216-24	2	Washer-Fiber	50	68-60-A	2	Bearing
23	63-224-B	2	Tire	51	50-33-A	2	Washer-Special $\frac{5}{8}$
24	46-81-A	2	Washer-Special	52	73-71-A	1	Wing Nut
25	380-432-12	2	Cotter Pin $\frac{1}{8}$ dia. x $\frac{3}{4}$	53	75-43-B	1	Shaft-Reel
26	946-816-16	2	Washer-Fiber $\frac{1}{2}$	54	945-516	6	Washer
27	45-19-LA	1	Pinion	55	74-16-A	3	Stud
28	75-102-A	1	Engine-B & S PC-7525	56	74-13-C	6	Bracket
	75-114-A	1	Engine-B & S PS-7625	57	57-136-A	2	Stop-Bracket
29	75-55-A	1	Sheave-Engine	58	60-57-A	1	Bolt-Adj.

SUPPORT FRAME ASSEMBLY

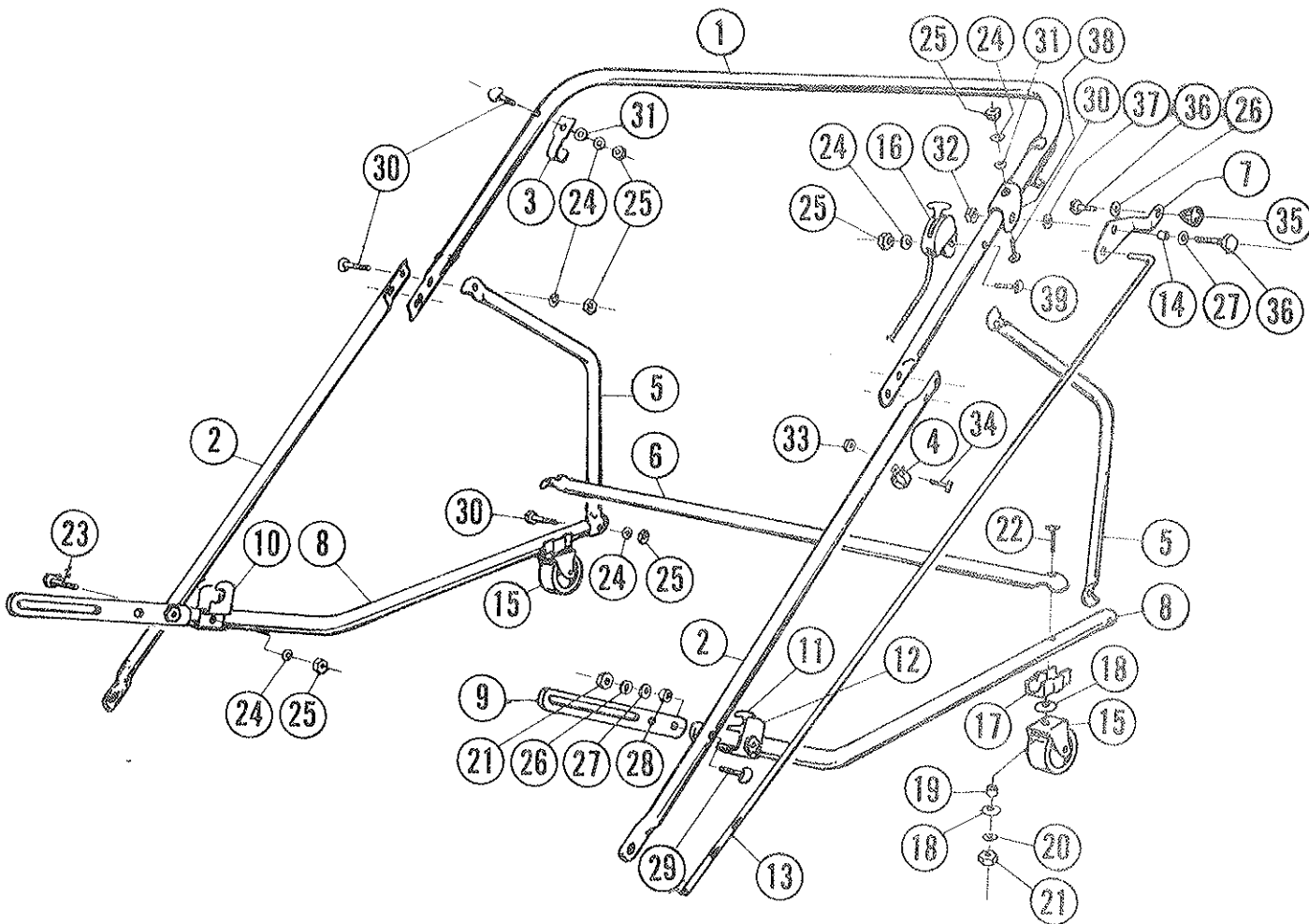


Figure 8

PARTS LIST

Ref. No.	Part No.	Qty. Per Unit	Description of Part	Ref. No.	Part No.	Qty. Per Unit	Description of Part
1	75-63-C	1	Handle-Upper	20	935-516	4	Washer-Spring Lock $\frac{5}{16}$
2	75-51-B	2	Handle-Lower	21	335-516	4	Nut-Plain Hex $\frac{5}{16}$ -18
3	74-32-B	2	Bracket-Dowel	22	65-516-32	2	Bolt-Hex Hd. $\frac{5}{16}$ -18 x 2
4	68-101-A	1	Clamp-Cable $\frac{3}{16}$	23	65-416-8	2	Bolt-Hex Hd. $\frac{1}{4}$ -20 x $\frac{1}{2}$
5	75-52-B	2	Handle-Support	24	935-416	12	Washer-Spring Lock $\frac{1}{4}$
6	75-53-B	1	Frame-Cross Bar	25	335-416	12	Nut-Hex Plain $\frac{1}{4}$ -20
7	75-105-A	1	Lever-Control	26	935-516	3	Washer-Lock
8	75-50-B	2	Basket-Side Frame	27	945-516	6	Washer-Flat $\frac{5}{16}$
9	60-21-A	2	Bracket-Brush Adj.	28	54-227-A	2	Spacer
10	62-36-RB	1	Bracket-Lower Basket	29	69-516-24	2	Bolt-Cont. Hd. $\frac{5}{16}$ -18 x $1\frac{1}{2}$
11	62-35-LB	1	Bracket-Lower Basket	30	69-416-20	9	Bolt-Cont. Hd. $\frac{1}{4}$ -20 x $1\frac{1}{4}$
12	63-56-B	2	Bracket-Stop	31	945-416	3	Washer-Flat $\frac{1}{4}$
13	75-69-B	1	Clutch Control Rod	32	364-516	1	Nut-Hex Lock Thin $\frac{1}{4}$ -20
14	59-29-A	1	Spacer	33	365-8	1	Nut-Hex Lock 8-32
15	SA-243-B	2	Caster Assembly	34	515-8-8	1	Screw-Rd. Hd. 8-32 x $\frac{1}{2}$
16	See Fig. 7		Throttle Control Assembly	35	55-130-A	1	Knob-Ball
17	59-68-A	2	Block-Pivot Bearing	36	65-516-12	2	Bolt-Hex Hd. $\frac{5}{16}$ -18 x $\frac{3}{4}$
18	55-156-A	4	Washer-Special	37	946-816-16	1	Washer-Fiber
19	74-126-B	2	Spacer	38	74-03-A	1	Bracket
				39	69-416-24	1	Bolt-Cont. Hd. $\frac{1}{4}$ -20 x $1\frac{1}{2}$...