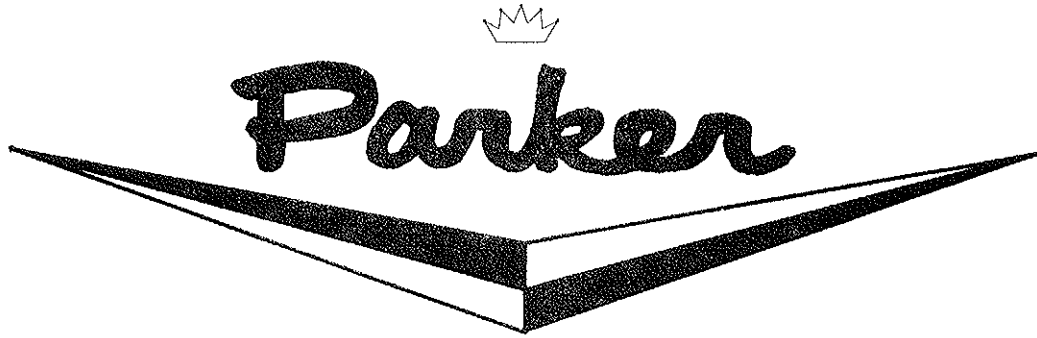
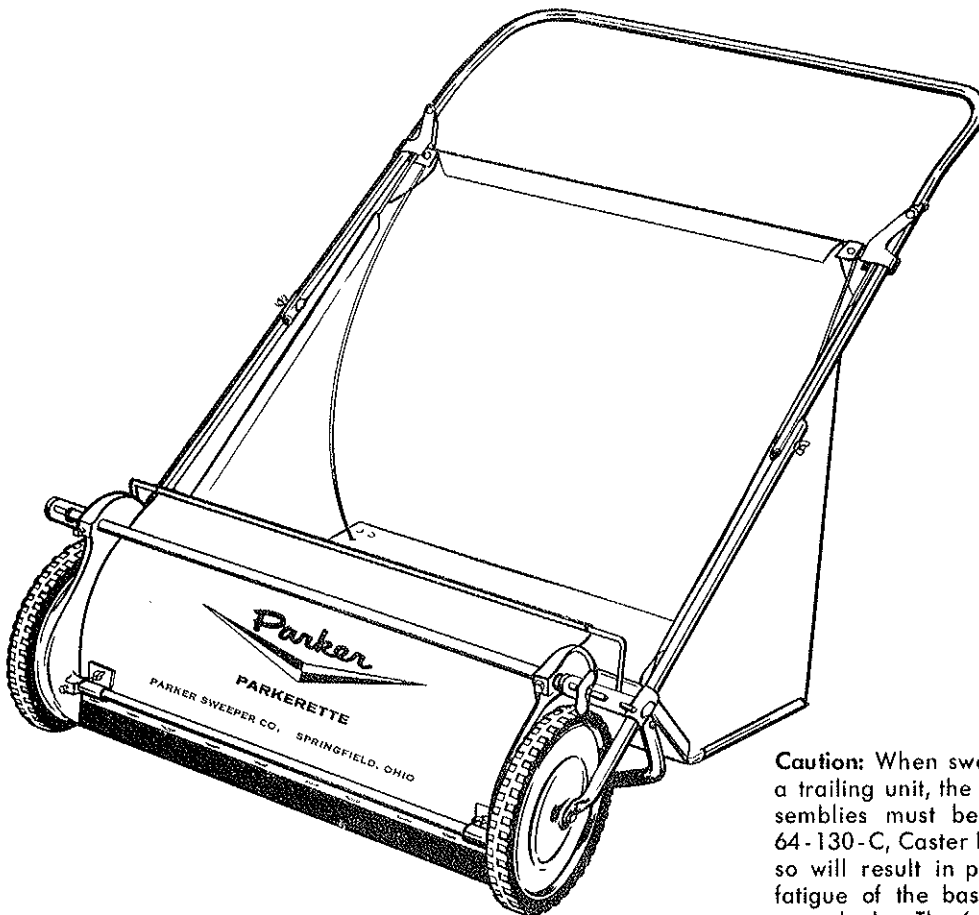


OWNERS GUIDE



PA-16830 PARKERETTE® (Revised) 30" LAWN SWEEPER



Caution: When sweeper is used as a trailing unit, the basket roller assemblies must be replaced with 64-130-C, Caster Kit. Failure to do so will result in premature metal fatigue of the basket bottom. Ask your dealer. The 64-130-C, Caster Kit is sold as an accessory only.

NOTICE: These instructions were written to assist you in assembling your Lawn Sweeper quickly and correctly. Read instructions thoroughly before attempting assembly so that you are familiar with the complete procedure.

ASSEMBLY INSTRUCTIONS

1. Remove wing nut, Ref. No. 13, lock washer, Ref. No. 4, and carriage bolt, Ref. No. 12, Fig. 5, from one side of handle and reverse their position so that the wing nut is on the outside of the handle, instead of the inside. Repeat on other side of handle. Unfold the handle and tighten the wing nuts so that the handle is straight and rigid.
2. Loosen the nuts, Ref. No. 24, Fig. 5, on both sides of the U-shaped support, Ref. No. 25. Pivot the support until the projections on lower basket brackets, Ref. Nos. 19 & 26, Fig. 5, fit into the holes provided on both sides of the U-support. Tighten the nuts to hold the U-support firmly in this position.
3. Bend the metal basket bottom, Ref. No. 10, Fig. 5, along the scored line until it remains bent of its own accord at an angle of about 45 degrees. See point "A" in exploded view.

4. Gently force a bow into the basket support springs, Ref. No. 5, Fig. 5, and place the lower free ends into the holes provided at the rear of the metal basket bottom.
5. Place the lower front of the basket into the hooked slots of the lower basket supports, Ref. Nos. 19 & 26, Fig. 5, and the upper rear of the basket into the catches, Ref. No. 9, on the upper handle.

NOTE: Press down on the handle a few times, till the wheels leave the floor. This will set the basket support springs to correct tension.

6. Make sure that all nuts, bolts, and hardware are tight.

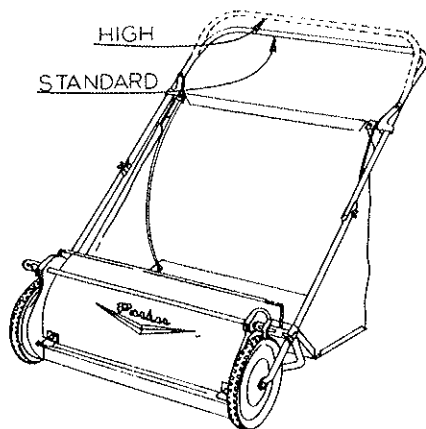
OPERATING INSTRUCTIONS

THE ADJUSTMENT OF THIS SWEEPER IS VERY IMPORTANT FOR EASE OF OPERATION.

Adjusting Brush Height. Loosen large wing nut, Ref. No. 9, Fig. 4. To raise brushes to extreme height, pull sweeping unit forward as far as slots in brush adjustment brackets, Ref. No. 21, Fig. 5, will permit. To lower brushes to lowest position, push sweeping unit backward as far as slots will permit. Secure wing nut when desired brush adjustment is obtained.

1. For grass clippings or leaves, adjust hood extension, Ref. No. 5, Fig. 4, and brushes to highest positions. After trial run on lawn, should the settings be too high, lower slightly and try again until correct setting is found. Brush life may be prolonged by adjusting so contact with ground is light.
2. For patio, sidewalk, and driveway sweeping, adjust hood extension to bottom position. Also adjust brushes so they just contact the concrete.

NOTE: IF SWEEPER PUSHES HARD, THE BRUSHES OR HOOD EXTENSION IS SET TOO LOW.



Adjusting Handle Height. Two separate heights are provided for with sweeper handle. To raise handle to high position (see illustration):

1. Remove basket from sweeper.

2. Remove hardware, Ref. Nos. 4, 12 and 13, Fig. 5, which holds upper and lower handles together.
3. Turn handle over so handle level is in high position and replace parts as before.

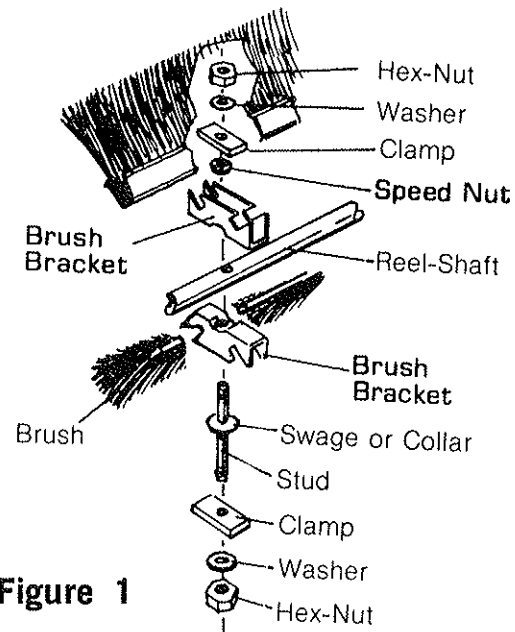


Figure 1

CARE AND BRUSH REPLACEMENT

Should the bristles take a set from use, reverse the brushes on the reel shaft. Never allow the brush bristles to remain in a bent position on any object for any length of time as they can take a set.

TO REMOVE BRUSHES

Turn the Sweeper upside down on the ground. Notice the Stud has either 2 swage bumps or a collar against the Brush Bracket holding it against the Reel Shaft.

Fig. 1 - Remove the Hex Nuts, Washers and Clamps from the Stud on the end having the 2 swage or collar. Remove the Brushes from the Brush Bracket slots, (4 places). Now remove the Hex Nuts, Washers and Clamps from the opposite end of the Studs. Do not remove the Speed Nuts or the Studs will fall away from the Reel Shaft (4 places).

OPERATING INSTRUCTIONS

TO REPLACE BRUSHES

Fig. 1 - Turn the Reel Shaft so you can position the Brush Strips in the slots on the Brush Bracket that are being held on the Stud and Shaft by the Speed Nut. Position the Clamps, Washers and Hex Nuts, center the Brush Strips between the Side Plates, then tighten the Hex Nuts.

Turn the Reel Shaft so the Brushes are on the bottom side. Now place the Brush Strips in the slots on the Brush Brackets, on the top side. Position the Clamps, Washers and Hex Nuts. Center the Brush Strips between the Side Plates, then tighten the Hex Nuts.

BASKET CARE

The Basket should always be emptied immediately after each time the Sweeper is used, especially if the grass or leaves are wet or damp. Allowing the Basket to keep dry will lengthen its service life.

BASKET is removable for dumping.

STORAGE. Remove basket springs from basket bottom, collapse basket and hang with rollers facing wall.

CAUTION: The brush fiber and basket material will burn if in contact with open flame. Avoid dumping basket over fire.

LUBRICATION

Frequent lubrication of the Sweeper will lengthen the service life.

Fig. 2 - Place a few drops of oil in the oil hole located on the hub of each wheel and between the Washer and Bearing Flange on the Reel Shaft inside the Side Plate (Both Sides). This should be done each time before the Sweeper is used.

Before using the Sweeper the first time each season, remove both Wheels and put a good grade of grease on the Pinion Gear and the gear of the Wheel.

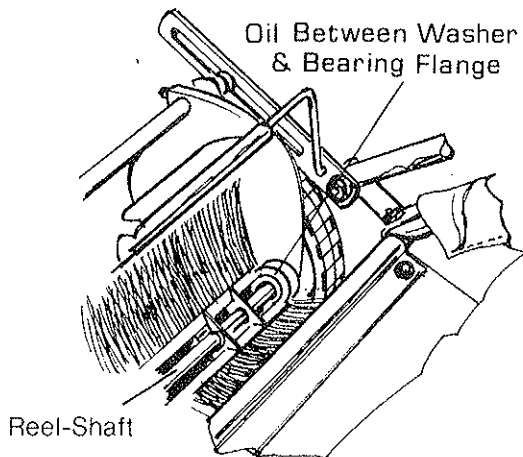


Figure 2

Fig. 3 - Be sure the Pawls and Pinion Gears are in place correctly before putting the Wheels back on. Both the Left and Right Pawl must be turning the same direction. When the Pawls are installed correctly, the top of the Reel Shaft will rotate toward the operator when the Sweeper is pushed forward.

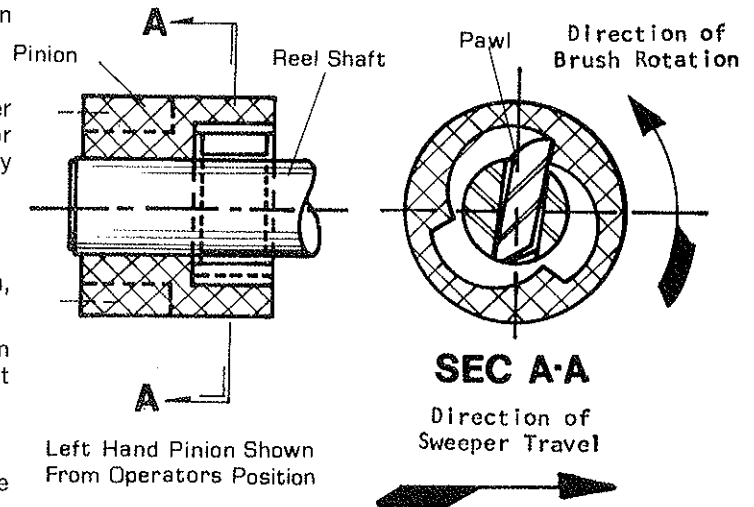


Figure 3

If for any reason it is necessary to disassemble the side plates, the set screws, Item 7, Fig. 4, have been assembled with Loctite and they should also be reassembled the same way. Use Loctite #271-41 (high strength). Before tightening set screws, check to be sure distance between side plates is 25", and that Items 22 and 24, Fig. 4, are parallel with each other and square with the side plates. Do not crush tube, Item 24, with set screw when retightening.

CAUTION: When sweeper is used as a trailing unit, the basket roller assemblies must be replaced with 64-130-C Caster Kit. Failure to do so will result in premature metal fatigue of the basket bottom. Ask your dealer for the SA-360 Pow-R-Tow Hitch with Casters. This includes the Hitch and Caster Kit. This is sold as an accessory only.

Sweep your lawn of unsightly grass clippings and weed cuttings that will smother the grass. To leave clippings on the lawn will cause a "mat" which not only prevents sunlight and air from getting to the roots of the grass, but also is conducive to fungus diseases.

SWEEPER UNIT ASSEMBLY

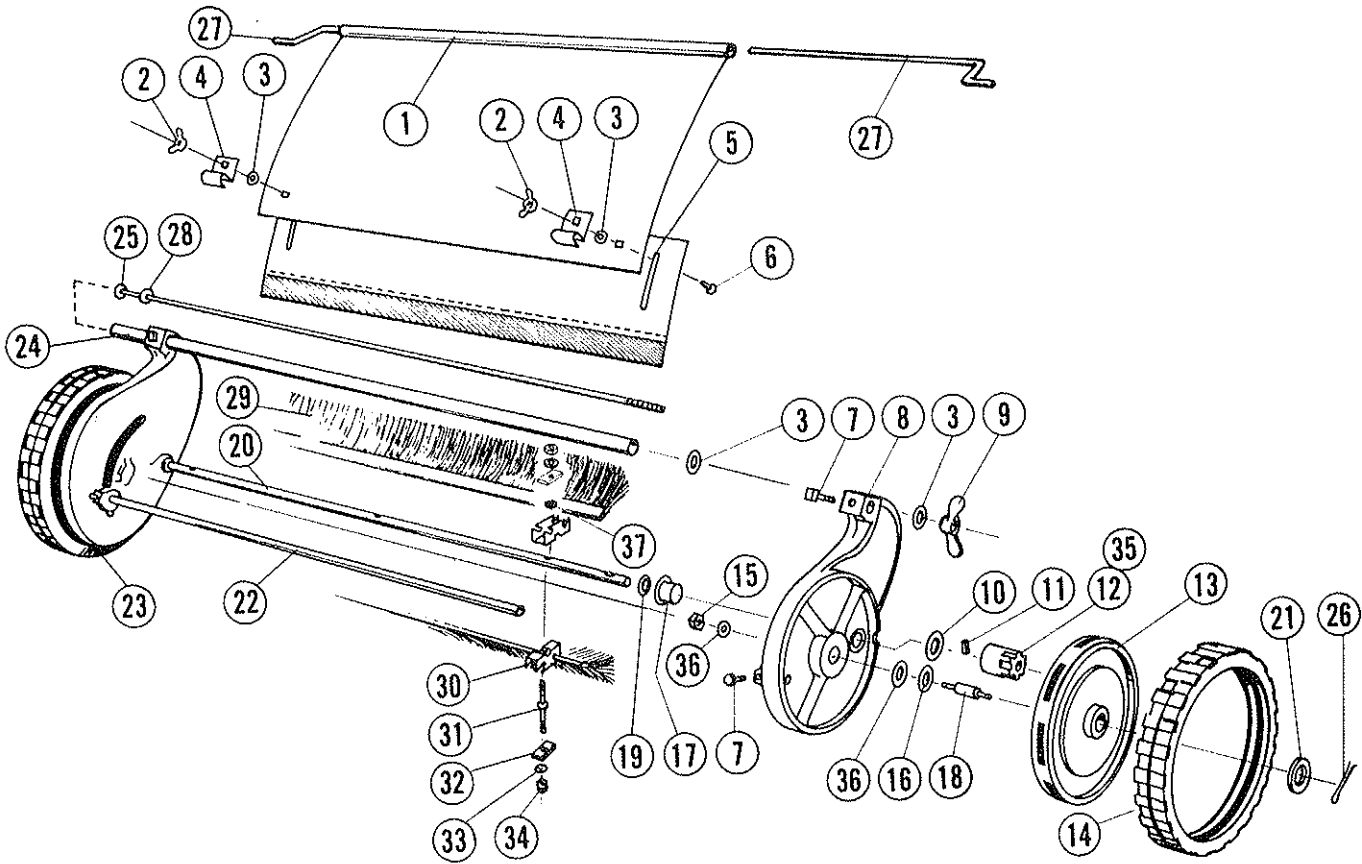


Figure 4

PARTS LIST

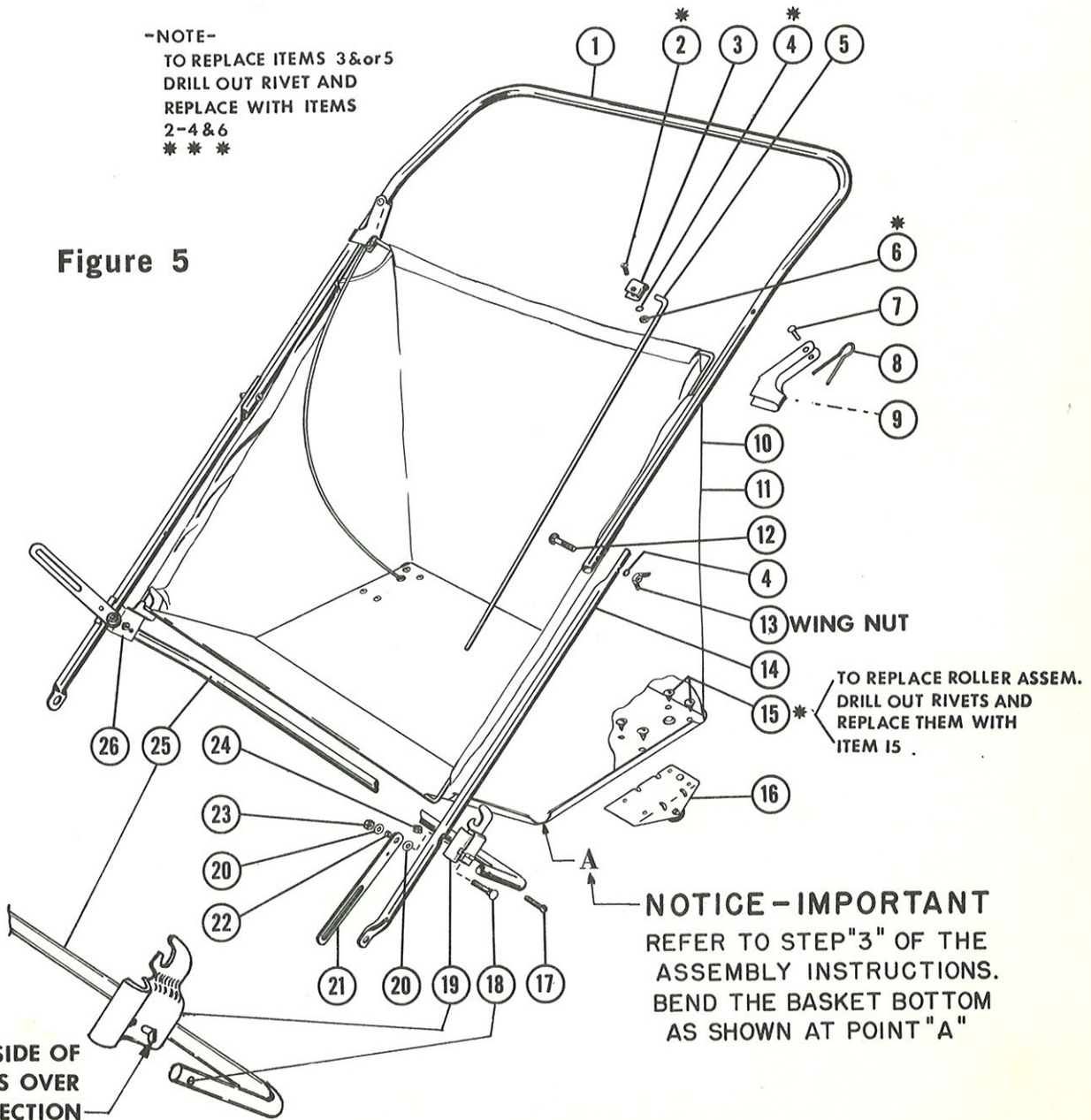
Ref. No.	Part No.	Qty. Per Unit	Description of Part	Ref. No.	Part No.	Qty. Per Unit	Description of Part
1	75-158-C	1	Hood Assembly <i>USE 68-13-C</i>	20	75-201-B	1	Reel Shaft
2	351-416-18	2	Nut-Wing 1/4-20 x 1 1/8 Span	21	46-81-A	2	Washer-Special
3	945-516	4	Washer-Flat 5/16	22	62-04-A	1	Tie Rod
4	60-22-B	2	Clamp-Head	23	71-04-RD	1	Side Plate Die Cast
5	68-10-C	1	Hood Extension	24	68-05-A	1	Tube Adjusting
6	70-416-12	2	Bolt-Carriage 1/4-20 x 3/4	25	69-75-A	1	Bolt-Special
7	560-C-516-10	4	Screw-Sq. Hd. Set 5/16-18 x 5/8	26	380-432-12	2	Cotter Pins 1/8 dia. x 1
8	71-05-LD	1	Side Plate Die Cast.	27	68-14-A	2	Rod-Hood-Control
9	73-71-A	1	Nut-Wing	28	945-616	1	Washer-Flat 3/8 I.D.
10	50-33-A	2	Washer-Special	29	1200-14-5	8	Brush Strip Assembly
11	45-25-A	2	Pawl	30	74-13-C	8	Brush Bracket
12	45-19-LA	1	Pinion LH	31	74-16-A	4	Stud
13	49-377-C	2	Wheel	32	69-04-A	6	Clamps-Brush Strip
14	63-224-B	2	Tire	33	936-416	8	Washer-Internal Tooth Lock 1/4 I.D.
15	345-816	2	Nut-Jam 1/2-20	34	335-416	8	Nut-Hex Plain 1/4-20
16	946-1216-24	2	Washer-Fiber	35	45-18-RA	1	Pinion RH (Not Shown)
17	68-60-A	2	Bearing (Kendal BK-1377-628)	36	71-37-A	4	Washer-Special
18	71-36-A	2	Axle	37	75-89-A	4	Speed Nut
19	55-161-A	2	Washer-Special				

BASKET AND HANDLE ASSEMBLY

Ref. No.	Part No.	Qty. Per Unit	Description of Part	Ref. No.	Part No.	Qty. Per Unit	Description of Part
1	68-20-C	1	Handle-Upper	13	351-416-18	2	Nut-Wing $1/4$ -20
* 2	515-416-10	2	Screw-Round Head $1/4$ -20 x $5/8$	14	55-56-B	2	Handle-Lower
3	53-116-A	2	Clamp-Basket Spring	* 15	534-14-8	8	Screw-Sheet Metal No. 14 x $1/2$
* 4	936-416	2	Washer-Int. Tooth Lock $1/4$	16	52-34-B	2	Roller-Assembly
5	53-114-B	2	Spring-Basket	17	65-416-20	2	Bolt-Hex Head $1/4$ -20 x $1 1/4$
* 6	335-416	2	Nut-Hex $1/4$ -20	18	70-516-24	2	Bolt-Carriage $5/16$ -18 x $1 1/2$
7	58-140-A	2	Rivet	19	53-169-LD	1	Bracket-Left Hand
8	58-27-A	2	Spring	20	945-516	4	Washer-SAE Flat $5/16$
9	58-26-B	2	Bracket-Basket Lock	21	60-21-A	2	Bracket-Brush Adjusting
10	SA-138-C	1	Basket-With Rollers & Springs Replacement	22	54-227-A	2	Spacer
11	68-15-C	1	Basket-Without Rollers & Spring Replacement	23	335-516	2	Nut-Hex $5/16$ -18
12	70-416-24	2	Bolt-Carriage $1/4$ -20 x $1 1/2$	24	364-416	2	Nut-Hex. $1/4$ -20
				25	68-21-B	1	Support-Handle
				26	53-168-RD	1	Bracket-Right Hand

-NOTE-
TO REPLACE ITEMS 3&or5
DRILL OUT RIVET AND
REPLACE WITH ITEMS
2-4 & 6
* * *

Figure 5



HOLE ON INSIDE OF
"U" SUPPORT FITS OVER
PROJECTION

NOTICE-IMPORTANT
REFER TO STEP "3" OF THE
ASSEMBLY INSTRUCTIONS.
BEND THE BASKET BOTTOM
AS SHOWN AT POINT "A"

