



TH-5301 POW-R-TOW HITCH ASSEMBLY

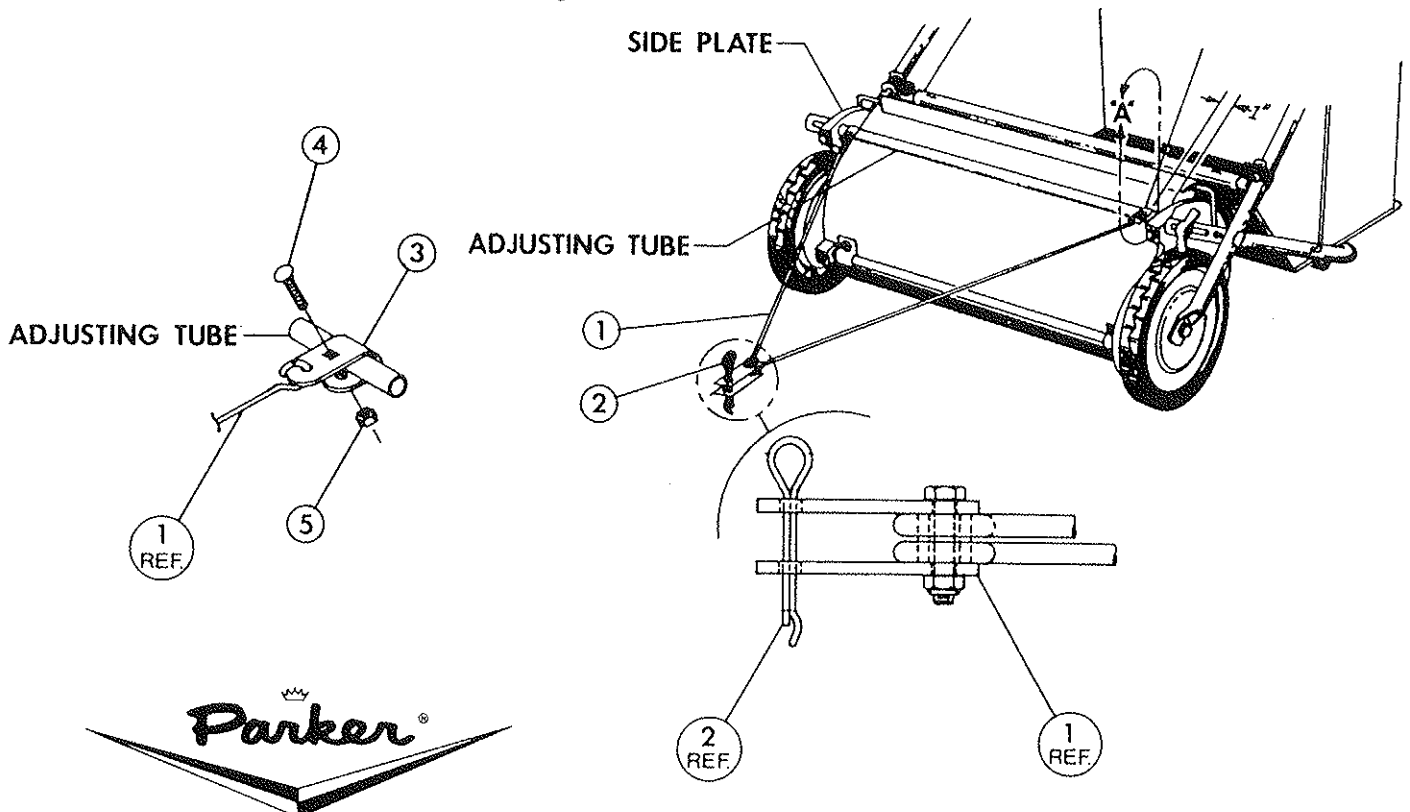
Part No.
MA-495-D

ASSEMBLY INSTRUCTIONS

1. Attach the clamps, Item 3, to the hook end of the Trailing Hitch Assembly, Item 1 as shown below.
2. Hook the clamps on the adjusting tube, with the short side of clamps under the adjusting tube.
3. Place clamps 1" away from the side plates.
4. Install the Carriage Bolts, Item 4, being sure the square shoulder on the Bolts are seated correctly in the square holes in the top of the clamps.
5. Assemble Lock Nuts, Item 5, and tighten.

PARTS LIST

Item	Part No.	Qty.	Description
1	SA-1111-B	1	Trailing Hitch Assembly
2	81-14-A	1	Clinch Pin
3	53-94-A	2	Clamp
4	70-516-20	2	Bolt, Carriage Hd. 5/16-18 x 1 1/4
5	711374	2	Nut, Hex Lock 5/16-18



Parker Sweeper Company
A Division of Minuteman International, Inc.

111 South Rohlwing Road
Addison, Illinois 60101
Phone: (708) 627-6900
Fax: (708) 627-1130

4/85

Printed in U.S.A.

000694