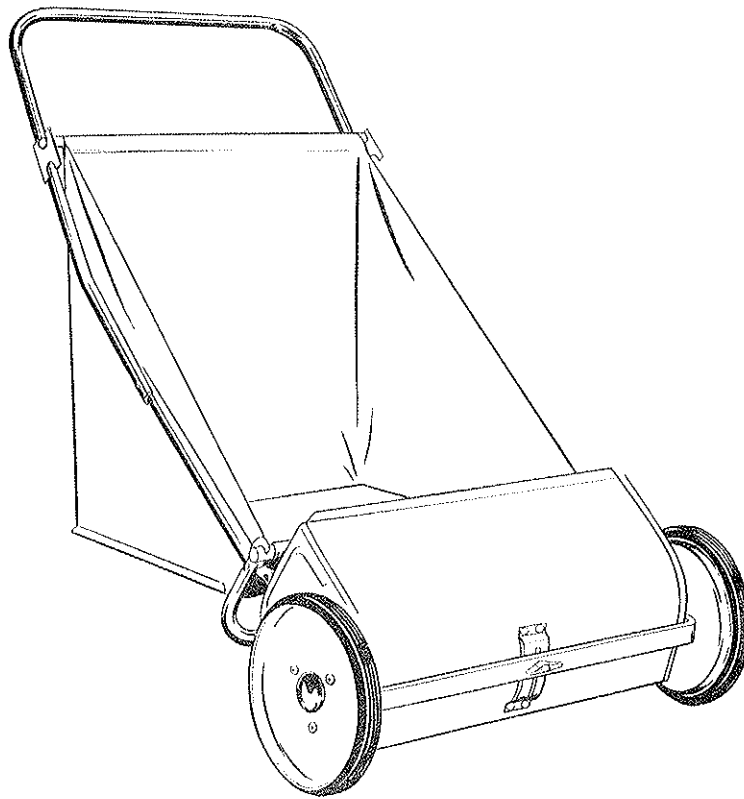


OPERATING INSTRUCTIONS AND PARTS LIST
FOR
LP-120
25" LAWN SWEEPER



NOTICE: We recommend that the user of our LAWN SWEEPER read all instructions carefully before assembling and operating the Sweeper to obtain the best results. While reading assembly instructions study the assembled view and also the exploded view as to the location and arrangement of parts.

MIAMI, INC.

Box 295

SPRINGFIELD, OHIO

DIVISION OF PARKER SWEEPER COMPANY

ASSEMBLY INSTRUCTIONS

1. Install lower handle sections, Ref. No. 38, to inside of sweeper hood, Ref. No. 14, with round head screws, Ref. No. 8, and square nuts, Ref. No. 7. Have square nuts to the inside.
2. Assemble the support handle, Ref. No. 12, to the lower handle sections, Ref. No. 38, with round head screws, Ref. No. 6, and square nuts, Ref. No. 7. Have square nuts to the inside. Hooks in support handle must face forward.
3. Assemble wood roller, Ref. No. 37, to roller bracket, Ref. No. 25, by placing a spacer, Ref. No. 36, through wood roller and positioning roller in bracket and fastening with round head screw, Ref. No. 10, and square nut, Ref. No. 7.
4. Assemble roller assembly to support handle, Ref. No. 12, at center with round head screw, Ref. No. 6, and square nut, Ref. No. 7.

5. Assemble center handle sections (bent), Ref. No. 39, to lower handle sections, Ref. No. 38. Have the bend upward and the formed end on the outside of lower handle sections, with round head screws, Ref. No. 6, and square nuts, Ref. No. 7. Have square nuts to inside.
6. Assemble the upper handle section, Ref. No. 1, to the center handle sections. Also assemble the upper basket brackets, Ref. No. 5, to the handle as shown in exploded view with round head screws, Ref. No. 6, and square nuts, Ref. No. 7. These two nuts may either be to the inside or outside, whichever way is easiest to assemble. Make sure that the openings which receive the basket dowel are upwards.

OPERATING INSTRUCTIONS

ADJUSTING BRUSH HEIGHT

The adjustment of this sweeper is very important for its ease of operation.

The adjustment of brushes is controlled by the wing nut in front of sweeper unit. This adjustment will automatically set the hood assembly to the correct position with your brush height selection. The large adjustment range is designed to compensate for brush wear.

1. For grass clippings that just have been cut or loose leaves, adjust brushes to within $\frac{1}{2}$ " above the grass.
2. Patio, Sidewalk and Driveway Sweeping — adjust brushes to touch cement.

NOTE: If sweeper pushes hard, the brushes are set too low.

LUBRICATION

Lubricate the sweeper about once each season to insure long unit life and easy operation.

1. Oil the wheel gears and pinion gears through oil hole on each side of wheel hub.
2. It is not necessary to oil nylon brush bearings.

CARE AND REPLACEMENT OF BRUSHES

The brushes used on this sweeper are made of the fines' bristles that will give years of service if given proper care.

Should they become bent from constant use, dampening and straightening will reset the bristles upright. It is also possible to straighten bristles by reversing the brushes on the reel shaft.

To reverse or replace brushes:

1. Turn the sweeper upside down on the ground.
2. Remove the bolts which hold the brush sections to the reel shaft. Reverse and replace the brushes and retighten the bolts.

CANVAS BASKET CARE

The canvas will give longer life if it is never compressed or stored when wet or damp. Allow the canvas to dry thoroughly in upright position before storing.

STORAGE

You can hang the sweeper on the wall by the upper handle for storage.

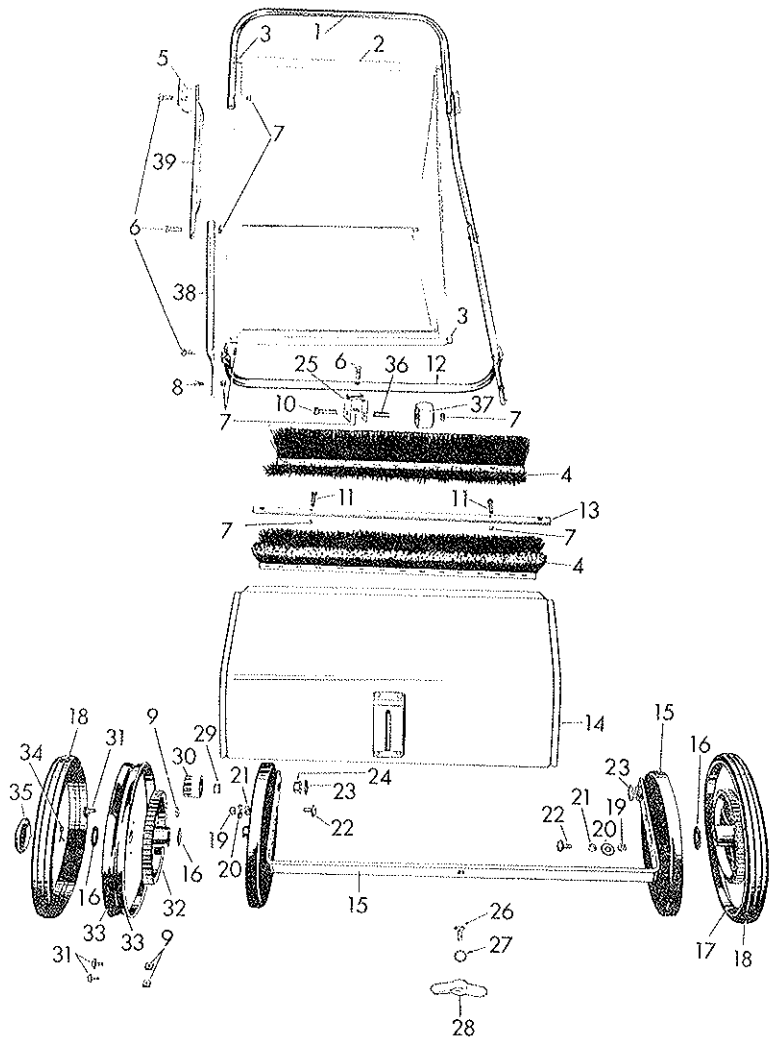
ALWAYS GIVE THE FOLLOWING INFORMATION WHEN ORDERING REPAIR PARTS

1. Part Number 2. Part Name 3. Model Number of Sweeper
Your Unit is Right Hand (R.H.) or Left Hand (L.H.) as you stand behind it.

EXPLODED VIEW OF SWEEPER

PARTS LIST

Ref. No.	Part No.	Description	No. Req'd
1	62-80C	Upper Handle	1
2	62-121D	Basket Assembly	1
3	60-106A	Dowel — Basket	2
4	52-141B	Brush — Assembly	2
5	62-84B	Bracket — Upper Basket	2
6	*515-416-16	Screw — Round Head $\frac{1}{4}$ -20 x 1	7
7	*355-416-1	Stamped Square Nut $\frac{1}{4}$ -20	12
8	*515-416-6	Screw — Round Head $\frac{1}{4}$ -20 x $\frac{3}{8}$	2
9	*355-416	Nut — Square $\frac{1}{4}$ -20	6
10	*515-416-32	Screw — Round Head $\frac{1}{4}$ -20 x 2	1
11	*515-416-24	Screw — Round Head $\frac{1}{4}$ -20 x $1\frac{1}{2}$	2
12	62-81D	Support — Handle	1
13	52-140B	Reel Shaft	1
14	62-126D	Hood Assembly	1
15	59-43D	Frame Assembly	1
16	946-1316-20	Washer — Fiber	4
17	59-44C	Wheel Assembly	2
18	54-197B	Tire	2
19	*335-516	Nut — Hex $\frac{3}{8}$ -18	2
20	*945-516	S.A.E. Flat Washers $\frac{3}{8}$	2
21	59-29A	Spacer	2
22	59-55A	Screw — Truss Head — Sems	2
23	55-161A	Washer — Special	2
24	60-12A	Bearing — Nylon	2
25	62-77B	Bracket — Wood Roller	1
26	*70-516-12	Carriage Bolt $\frac{3}{8}$ -18 x $\frac{3}{4}$	1
27	936-716	Lock Washer — Internal Tooth — Thin	1
28	351-516-40	Wing Nut — Aluminum	1
29	45-25A	Pawl	2
30	56-18RC	Pinion — Right Hand	1
	56-19LC	Pinion — Left Hand	1
31	59-54A	Screw — Truss Head — Phillips — Sems	6
32	59-26B	Gear — Wheel	2
33	59-20C	Rim — Wheel	4
34	380-332-16	Cotter Pin	2
35	59-46A	Hub Cap	2
36	62-76A	Spacer	1
37	62-75A	Roller — Wood	1
38	62-78C	Handle — Lower	2
39	62-79C	Handle — Center	2



NOTE: Use $\frac{1}{4}$ x $1\frac{1}{4}$ Rd. Hd. Screws in place of Ref. No. 6 in assembly instruction 2 and 6

*Standard Hardware Items may be purchased locally.

MIAMI, INC.

Box 295

SPRINGFIELD, OHIO

