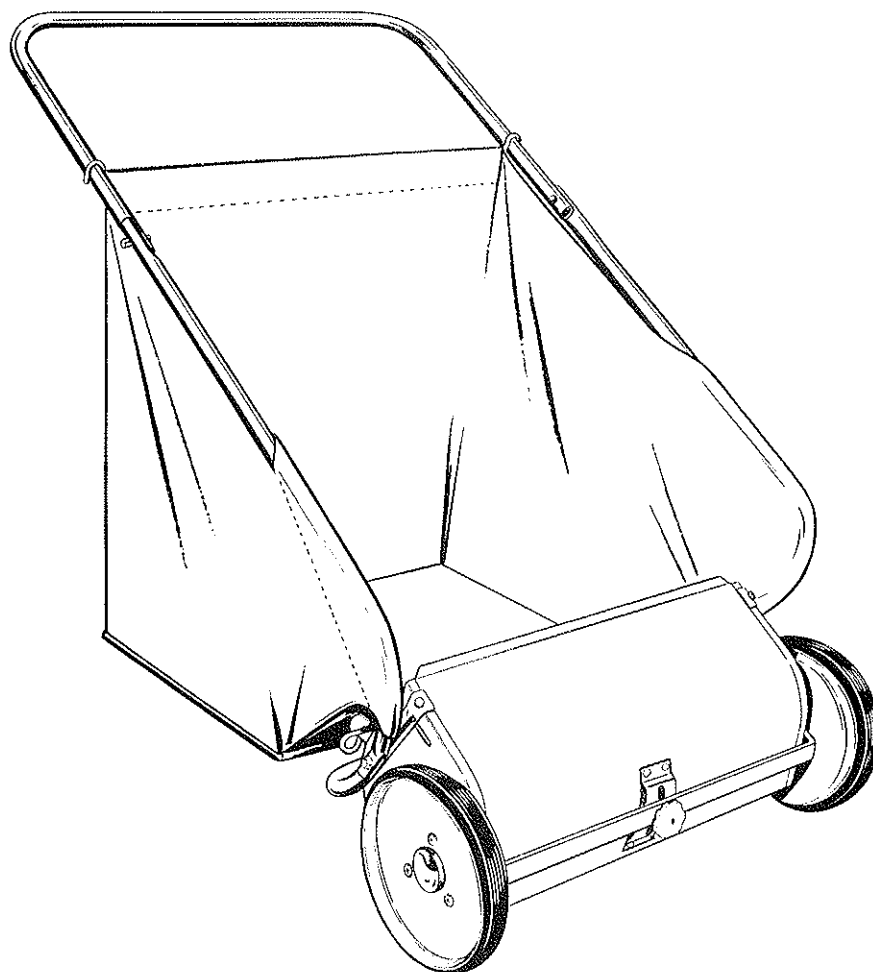


OPERATING INSTRUCTIONS AND PARTS LIST

FOR

LP-120-D

25" LAWN SWEEPER



NOTICE: These instructions were written to assist you in assembling your Lawn Sweeper quickly and correctly. Read instructions thoroughly before attempting assembly so that you are familiar with the complete procedure.

MIAMI INC.

DIVISION OF PARKER SWEEPER COMPANY

Box 295

SPRINGFIELD, OHIO

ASSEMBLY INSTRUCTIONS

1. Place sweeper on ground in upright position.
2. Remove nut and bolt from each side of hood (do not disturb bolts that are in corner of hood), and position curved end of R.H. handle over outside of handle support, Ref. No. 12, and replace hardware as it was before.
3. Repeat instruction No. 2 for L.H. handle.
4. Remove nut and bolt from lower ends of upper handle. Assemble handle to lower handles with bolts and nuts you just removed, bolt heads to be toward inside of handle.
5. Place rods in basket (see exploded view) and place basket into position as shown on front cover.

OPERATING INSTRUCTIONS

Brush Height Adjustment. Loosen adjusting knob, Ref. No. 28. To raise brushes to extreme height, push down on frame assembly, Ref. No. 15, as far as possible. To lower brushes to lowest position, lift up on frame assembly as far as possible. Secure knob when desired adjustment is obtained. When adjusting brushes, the hood assembly will automatically be set in the correct position.

1. For grass clippings or leaves adjust brushes to highest position. After trial run on lawn, should the setting be too high, lower slightly and try again until correct setting is found. Brush life may be prolonged by adjusting so contact with ground is light. The lighter the contact, the longer the wear and easier to push.
2. For patio, sidewalk, and driveway sweeping, adjust brushes so they just contact ground.

NOTE: IF SWEEPER PUSHES HARD, THE HOOD IS SET TOO LOW.

Maintenance. Lubricate the sweeper about once each season to insure long unit life and easy operation.

1. Oil the wheel gear and pinion through oil hole on each side of wheel hub.
2. It is not necessary to oil nylon brush bearings.

Plastic Basket Care. The basket should always be emptied immediately of wet clippings or leaves. Do not handle in extremely cold weather. Can be washed with garden hose. Always store the sweeper in a dry place.

Care and Replacement of Brushes. The brushes used on this sweeper are made of the finest bristles that will give years of service if given proper care. Should they become bent from constant use, dampening and straightening will reset the bristles upright. It is also possible to straighten bristles by reversing the brushes on reel shaft.

To Reverse or Replace Brushes:

1. Turn the sweeper upside down on the ground.
2. Remove the bolts which hold the brush sections to the reel shaft. Reverse and replace the brushes and retighten the bolts.

Storage. Hang sweeper on the wall by the upper handle for storage.

ALWAYS GIVE THE FOLLOWING INFORMATION WHEN ORDERING REPAIR PARTS

If you are unable to obtain parts locally, write to the factory for name of nearest service dealer.

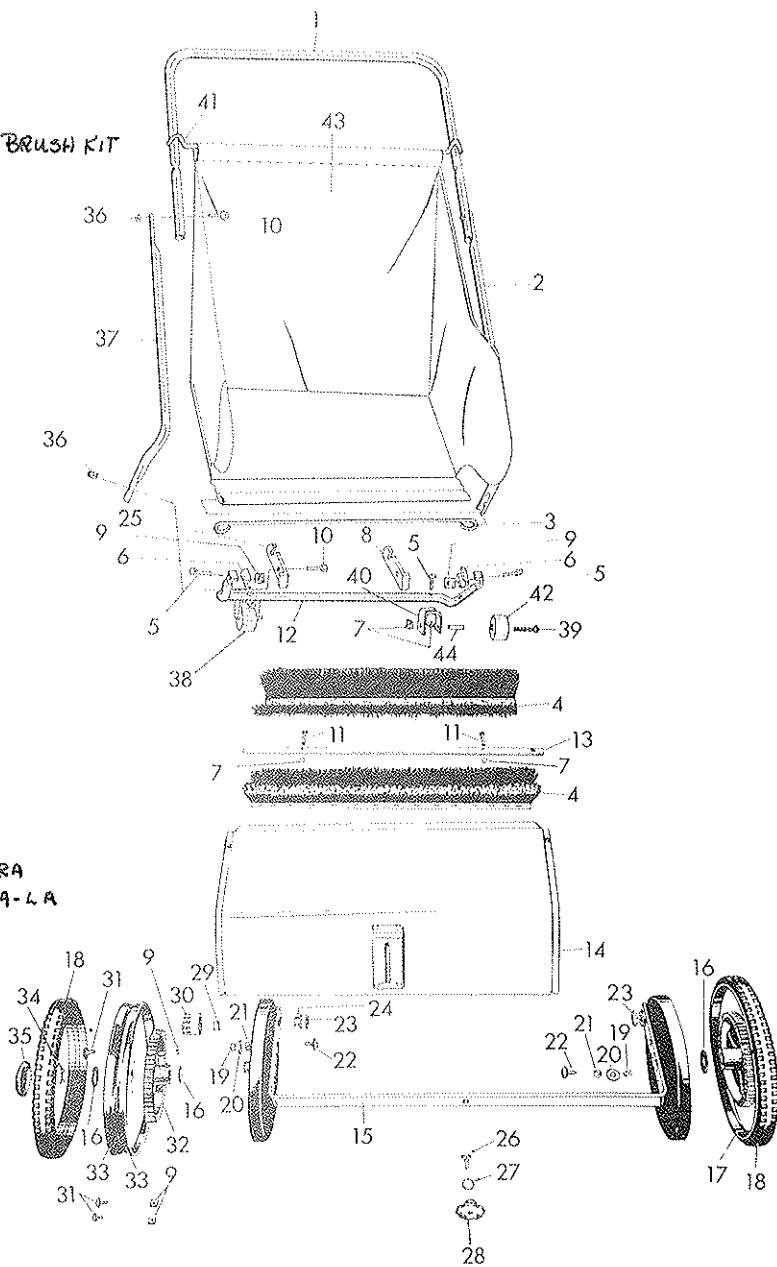
Order all parts from your nearest dealer.

- | | |
|-------------------------------|----------------------------------|
| 1. Part Number (not Ref. No.) | 3. Description of Part. |
| 2. Quantity Needed. | 4. Model Number (found on Hood). |

Your unit is right hand (R.H.) or left hand (L.H.) as you stand behind it.

PARTS LIST

Ref. No.	Part No.	Qty. Per Unit	Description
1	64-174-C	1	Handle — Upper
2	64-177-LC	1	Handle — Lower-L.H.
3	64-173-B	1	Rod — Lower-Basket
4	52-141-B	2	Brush — Strip — USE BK-12 BRUSH KIT
5	65-416-16	4	Bolts — Hex Head ¼-20 x 1
6	59-77-A	2	Clamp
7	355-416-1	6	Nut — Sq. Stamped ¼-20
8	64-162-LA	1	Hanger — Lower-Basket-L.H.
9	355-416	8	Nut — Square ¼-20
10	65-416-20	4	Bolt — Hex Head ¼-20 x 1 ¼
11	65-416-24	2	Bolt — Hex Head ¼-20 x 1 ½
12	63-255-D	1	Support — Handler
13	52-140-B	1	Shaft — Reel
14	64-140-D	1	Hood
15	59-43-D	1	Frame
16	946-1216-20	4	Washer — Fiber ¾ I.D. x 1 ¼ O.D.
17	59-44-C	2	Wheel — Complete
18	54-197-B	2	Tire — USE 63-224-B
19	335-516	2	Nut — Hex ¾-18
20	945-516	2	Washer — Flat S.A.E. ¾
21	59-29-A	2	Spacer
22	59-55-A	2	Screw — Truss-Head
23	55-161-A	2	Washer — Special
24	60-12-A	2	Bearing — Nylon
25	64-161-RA	1	Hanger — Lower-Basket-R.H.
26	70-516-12	1	Bolt — Carriage ¾-18 x ¾
27	936-716	1	Washer — Int. Tooth Lock ¾
28	59-47-B	1	Knob — Adjusting
29	45-25-A	2	Pawl
30	56-18-RC	1	Pinion R.H. (Shown) 45-18-RA
	56-19-LC	1	Pinion L.H. (Not Shown) 45-19-LA
31	55-54-A	6	Screw — Truss-Head-Phillips
32	59-26-CP	2	Gear — Wheel
33	59-20-C	4	Rim — Wheel
34	380-332-16	2	Pin — Cotter ¾ x 1
35	59-46-A	2	Cap — Hub
36	365-416	4	Nut — Hex Lock ¼-20
37	64-176-RC	1	Handle — Lower-R.H.
38	62-112-B	2	Roller — Complete
39	65-416-32	2	Bolt — Hex Head ¼-20 x 2
40	62-77-B	2	Bracket — Roller
41	64-192-B	1	Rod — Upper-Basket
42	62-75-A	2	Roller — Wood
43	64-198-C	1	Basket Assembly
44	62-76-A	2	Spacer



MIAMI INC.

Box 295

SPRINGFIELD, OHIO

