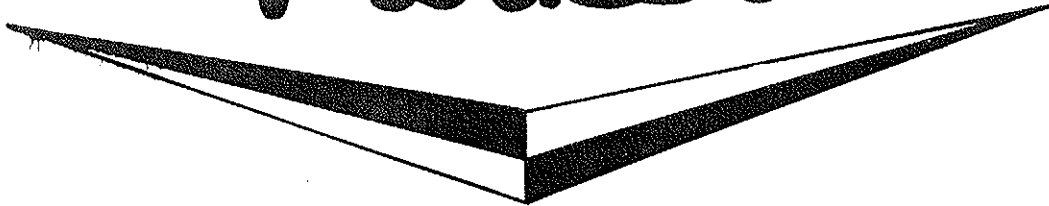


OWNERS GUIDE

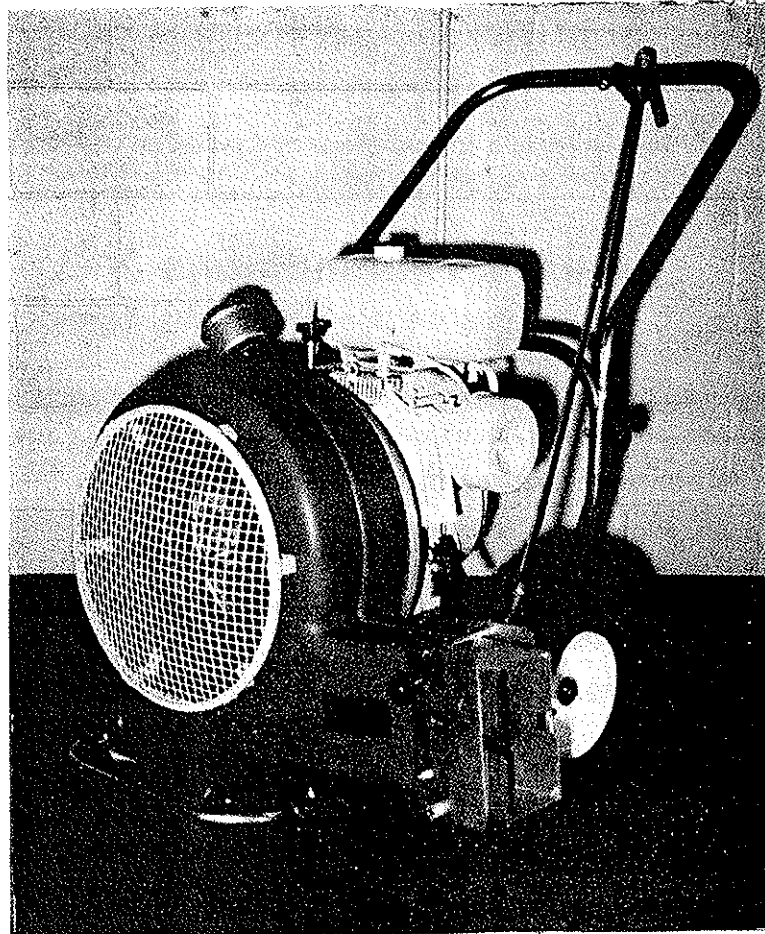


Parker™



hurricane®

MODEL HC-8280/MODEL HC-8180-K



**READ THESE INSTRUCTIONS
BEFORE SETTING UP AND OPERATING MACHINE**

PARKERSWEEPERCOMPANY Box 1728 Springfield, Ohio 45501

Plate No. 645 (Rev. 12-9-81)

TO THE OWNER

These instructions were written to assist you in the assembly and operation of your Hurricane. **READ THE INSTRUCTIONS** thoroughly **BEFORE** attempting to assemble and operate the machine so that you are familiar with the complete procedure and the safety precautions.

RULES FOR SAFE OPERATION



The following safety precautions are suggested to prevent damage to the equipment or injury to the operator or nearby persons.

1. TO PREVENT ACCIDENTAL STARTING ALWAYS REMOVE THE SPARK PLUG before working on the engine or equipment driven by the engine.
2. DO NOT RUN THE ENGINE IN AN ENCLOSED AREA. Exhaust gases contain carbon monoxide which is an odorless and deadly poison.
3. DO NOT FILL GASOLINE TANK WHILE ENGINE IS HOT OR RUNNING. Spilling gasoline on a hot engine may cause a fire or explosion.
4. DO NOT leave machine unattended while running.
5. DO NOT ALLOW machine to blow in direction of people or objects that could be injured by blown materials.
6. AVOID operating machine in dangerous places where steep slopes or loose debris will endanger the safety of operator or other people.

LUBRICATION

The only lubrication necessary is a couple drops of light oil on the throttle control lever and throttle wire where it enters the cable, also on the moving parts on the exhaust deflector.

OPERATING INSTRUCTIONS

1. Before starting the engine, read the Operating and Maintenance Instruction Manual. Add proper gasoline and oil to correct level.
2. Engine should be "broken in" by running at 1/2 throttle for 30 minutes and full throttle for an additional 30 minutes.
3. Machine will operate effectively by either pushing or pulling.
4. Your Hurricane Blower can be used as either a Low Blow or Hi Blow depending on the application.
5. For moving heavy debris such as sticks, cleaning out flower beds, anything heavier than leaves, use the Low Blow.
6. For controlled blowing of leaves into windrows and stacking use the Hi Blow.

IMPORTANT

ALWAYS GIVE THE FOLLOWING INFORMATION WHEN ORDERING REPAIR PARTS:

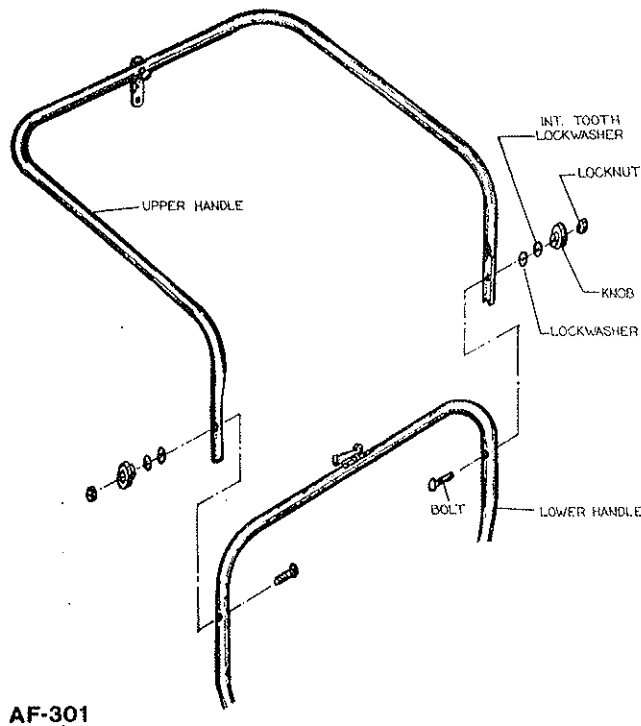
- | | |
|-------------------------------|---------------------------|
| 1. Part Number (Not Ref. No.) | 3. Description of Part |
| 2. Quantity Needed | 4. Model No. of Hurricane |

If unable to obtain parts locally, write down above information and send to:
PARKER SWEEPER CO., BOX 1728, SPRINGFIELD, OHIO 45501

Your unit is right hand (R.H.) or left hand (L.H.) as you stand behind it.

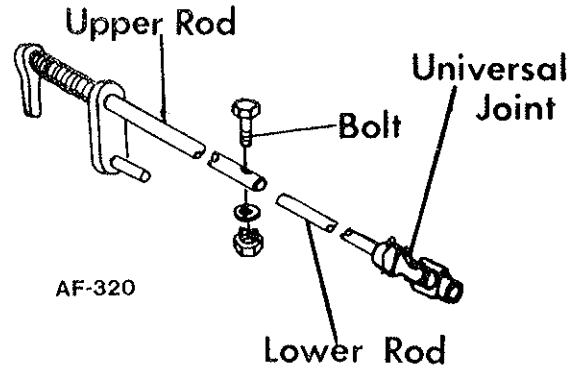
ASSEMBLY INSTRUCTIONS

Remove the Hurricane from its carton. The upper handle is not attached. From the upper handle remove the plastic knobs, bolts, lock washers, and locknuts. Insert the carriage bolts into the square holes on the inside of the lower handle and attach the upper handle, spring lockwashers, and internal tooth lockwashers. Screw on the plastic knobs until tight; screw on the locknuts until approximately two threads clear the nuts.

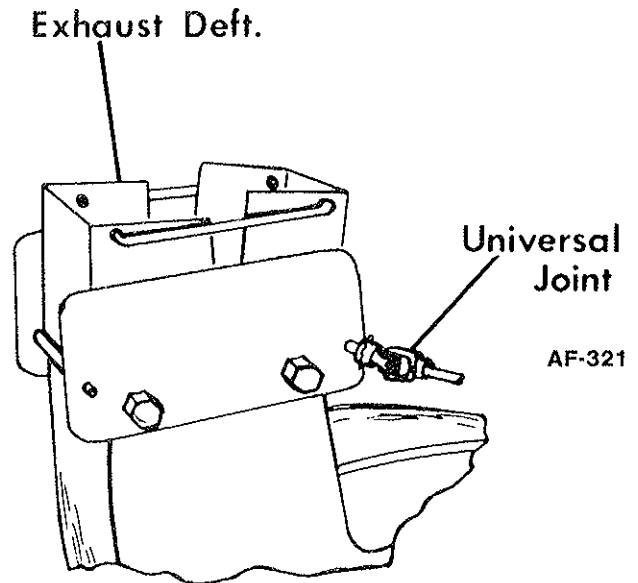


Control Rod Installation

Slip the upper control rod through the weldment, then connect the lower control rod weldment to the deflector assembly. Telescope the control rods together and fasten with the 1/4-20x1 bolt, the internal tooth lock washer, and nut.



To attach Control Rod to Universal Joint, first remove cotter hairpin in Universal Joint and insert lower portion of Control Rod into Universal and reinsert cotter hairpin. Move control lever to make sure Exhaust Deft. Assembly is working correctly.

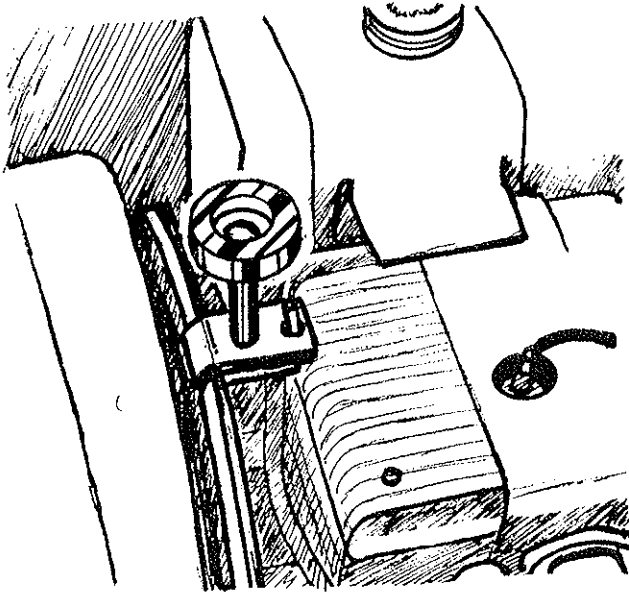


NOTE: Now tighten all the bolts and nuts.

OPERATING INSTRUCTIONS

When adjusting the blower housing to HI or LOW BLOW, engine must be stopped with the spark plug wire disconnected.

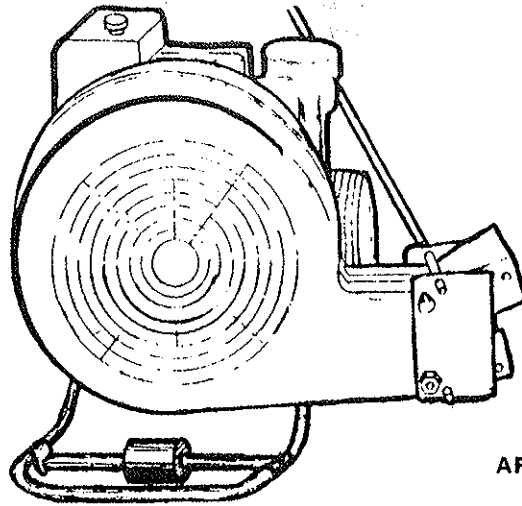
To adjust the blower housing to a desired position, turn the knob counter-clockwise to loosen. Pivot the exhaust deflector to the desired position, and tighten the knob.



AF-293

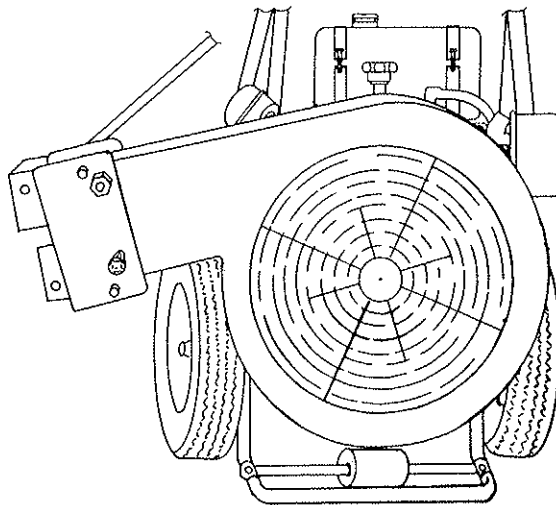
It is not necessary to detach the exhaust deflector control rod assembly. It will pivot with the blower housing to any position.

By turning the knob on the control rod assembly fastened to the upper cross bar, the deflection angle can be changed to control the air flow from the exhaust deflector.



AF-288

Blower housing in the Low Blow position.



AF-289

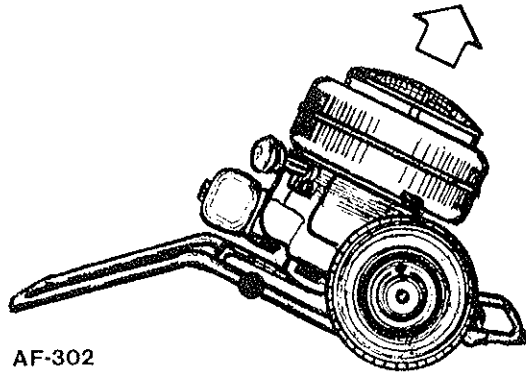
Blower housing in the Hi Blow position.

INSTRUCTIONS FOR REMOVING OR INSTALLING THE BLOWER HOUSING

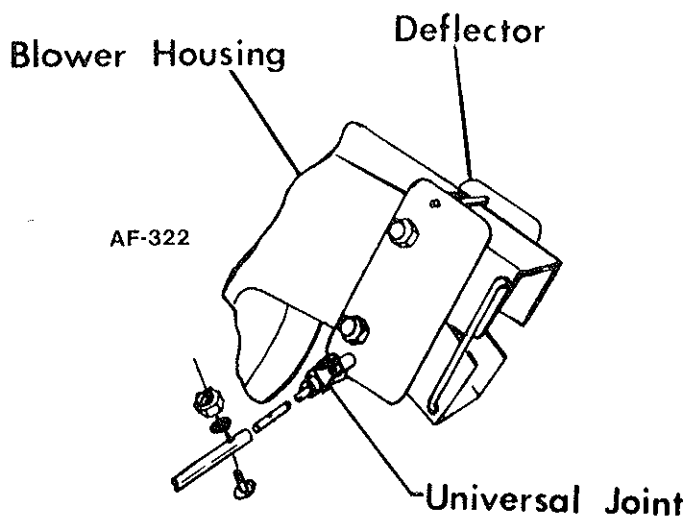
CAUTION: Before starting to work on the Engine or the equipment driven by the Engine, always remove the spark plug to prevent accidental starting.

To Remove the Blower Housing:

Push the handle of the Hurricane down until the handle is resting on the ground, then push the blower guard down until it is also resting on the ground.



Remove the contour head bolt, hex nut and lock washer, holding the upper and lower control rods together. Unhook the lower control rod from the exhaust deflector assembly.



To loosen the top of the blower housing, unscrew the acorn nut and knob and remove the washer, spacer and clamp.

To loosen the bottom of the blower housing, remove the roller guides by unscrewing the nuts on each side. Remove the lock washers and pull out the roller guides bringing the bolts, washers and spacers with them.

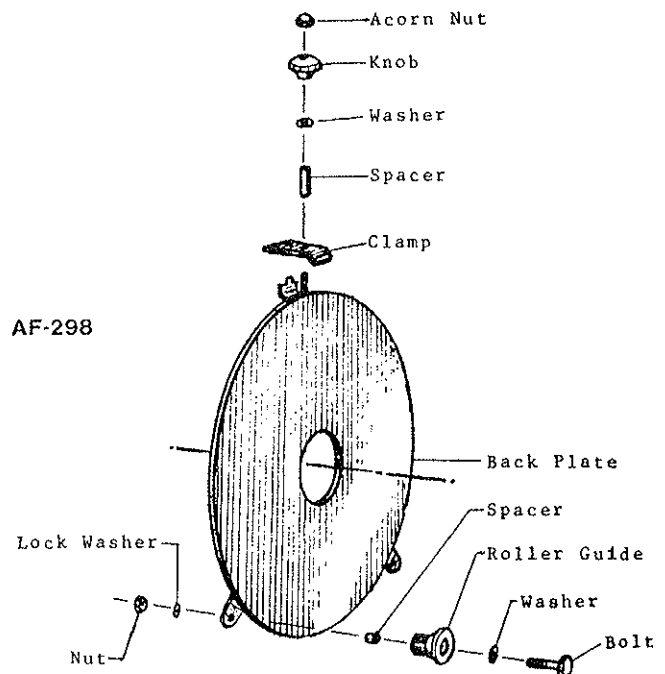
Remove the blower housing by lifting it off the fan.

To Install the Blower Housing:

Place the blower housing over the fan and position the pivot ring against the back plate.

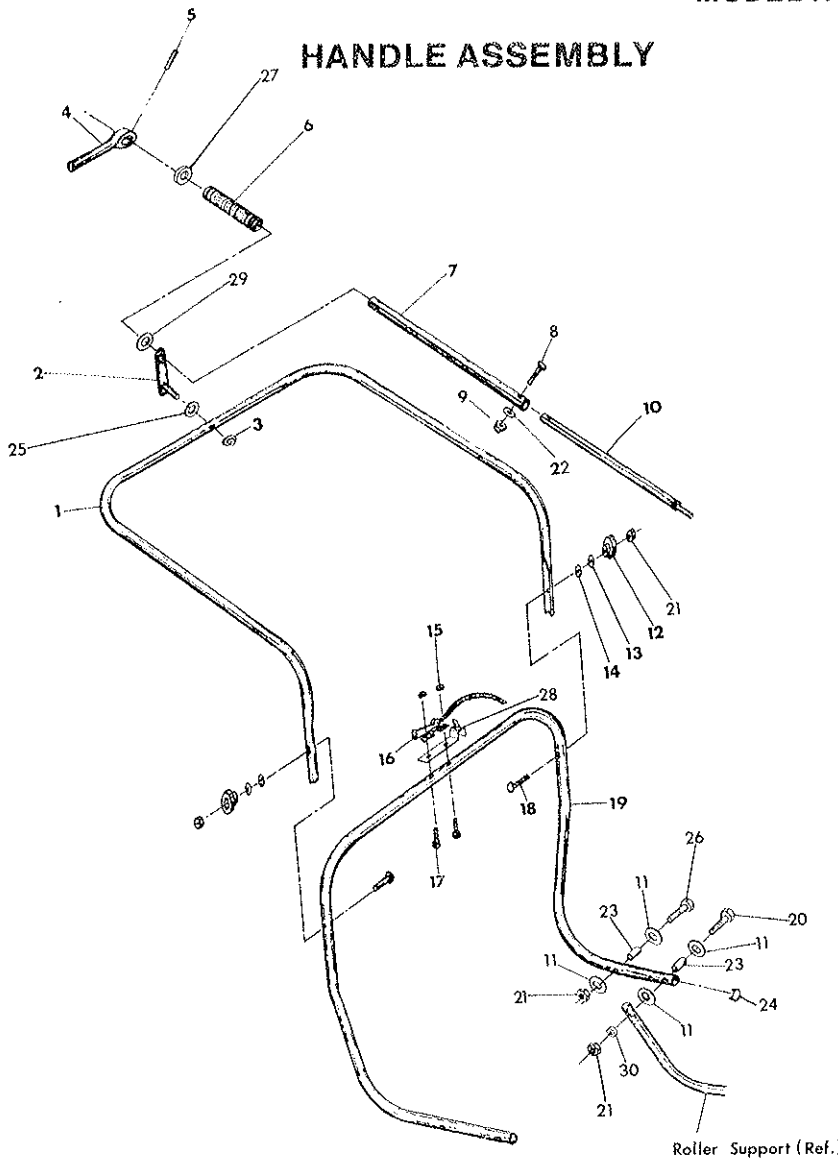
Re-insert the bolts with the roller guides, washers and spacers. Add the washer, screw on the nut, and tighten.

At the top of the housing, replace the clamp, spacer, washer and screw on the knob and acorn nut.



CAUTION: Replace the spark plug, but before attaching the ignition wire to the spark plug, pull the recoil starter cord to rotate the fan, to make sure the fan can rotate freely.

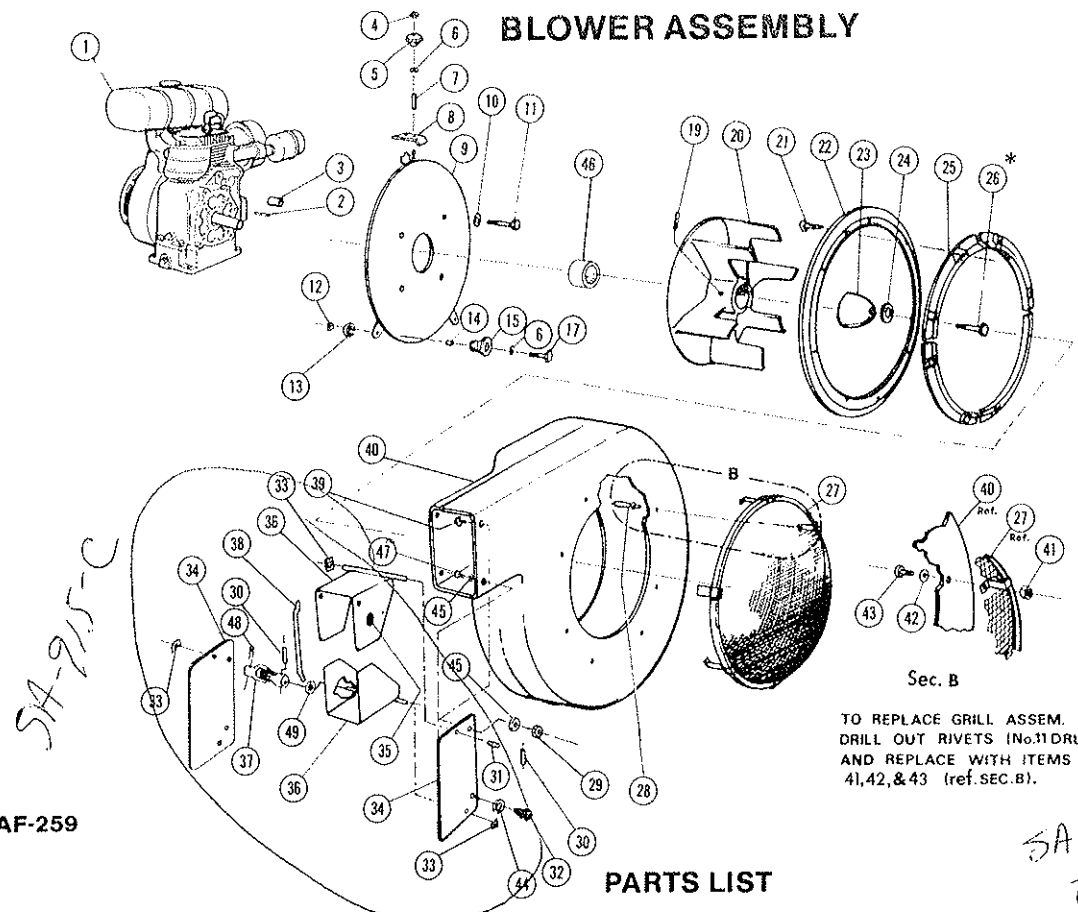
Attach the ignition wire to the spark plug and your Hurricane Blower is ready for operation.



AF-299

PARTS LIST

Ref. No.	Part No.	Qty. Per Unit	Description	Ref. No.	Part No.	Qty. Per Unit	Description
1	80-269-C	1	Upper Handle	16	80-314-A	1	Throttle Control Assembly (Kohler only)
2	80-331-A	1	Hinge Weldment	17	517-10-20	2	Screw Oval Hd. 10-24x1 1/4 (Kohler only)
3	80-51-A	1	Cup Nut	18	81-94-A	2	Carriage Bolt, 5/16-18x2 3/4
4	76-34-A	1	Lever	19	80-220-C	1	Lower Handle (Kohler only)
5	67-521-A	1	Roll Pin	19	81-75-C	1	Lower Handle (Tecumseh only)
6	74-135-A	1	Spring	20	65-516-32	2	Bolt, Hex. Hd., 5/16-18x2
7	76-235-A	1	Control Rod Upper	21	365-516	6	Nut, Hex Lock, 5/16-18
8	69-416-16	1	Bolt, Contour Hd., 1/4-20x1	22	935-416	1	Washer, Lock 1/4
9	335-416	1	Nut, Hex., 1/4-20	23	80-238-A	1	Spacer
10	SA-1003-A	1	Control Rod Assembly	24	80-267-A	2	Plastic Tube Cap
11	945-516	8	Flatwasher	25	945-616	1	Washer, Flat 3/8
12	79-94-A	1	Knob	26	65-516-28	2	Bolt, Hex Hd., 5/16-18-1 3/4
13	936-516	2	Washer, Lock, Int. Tooth, 5/16	27	55-161-A	1	Special Washer
14	935-516	2	Washer, Lock, Spring 5/16	28	SA-961-B	1	Stop Switch Assembly (Kohler only)
15	365-10	2	Nut, Hex Lock, 10-24 (Kohler only)	29	81-164-A	1	Bushing
				30	74-126-A	2	Spacer



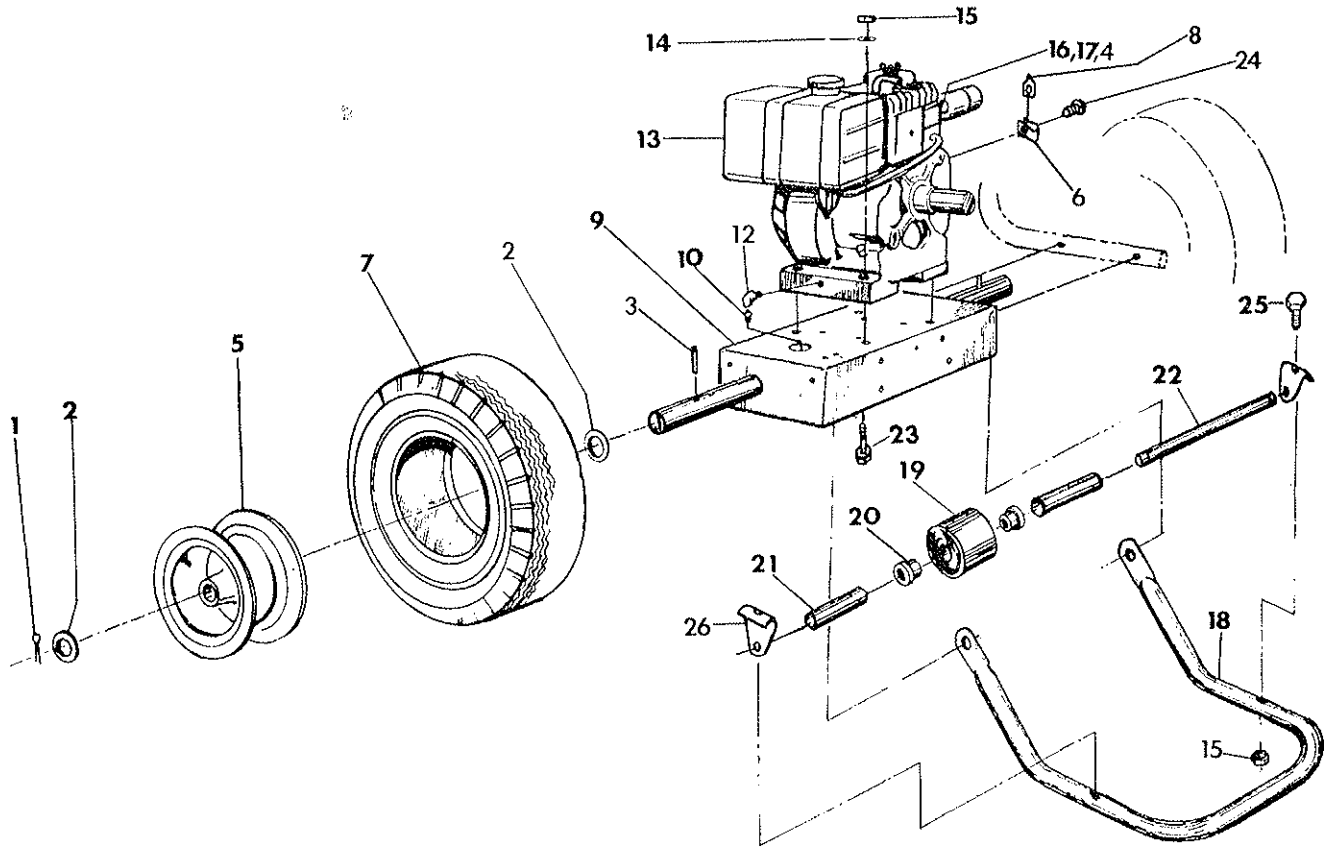
TO REPLACE GRILL ASSEM.
DRILL OUT RIVETS (No. 41 DRL.)
AND REPLACE WITH ITEMS
41, 42, & 43 (ref. SEC. B).

PARTS LIST

Ref. No.	Part No.	Qty. Per Unit	Description	Ref. No.	Part No.	Qty. Per Unit	Description
1		1	Engine	27	73-121-C	1	Grill Assembly
2	63-130-A	1	Fan Key 1/4x1 3/4	28	410-6-402-AA	6	Pop Rivet
3	79-139-A	4	Spacer - Back Plate	29	365-416	3	Nut - Hex Lock 1/4-20
4	335-516-1	1	Nut, Lock 5/16-18 Stamped	30	60-62-A	2	Roll Pin, 1/8 Dia.x3/4
5	79-94-A	1	Knob, 5/16-18	31	73-372-A	1	Spring
6	945-516	3	Washer, 5/16	32	75-79-A	1	Knob
7	79-67-A	1	Spacer	33	75-80-A	2	Shaft, Retainer
8	79-51-A	1	Clamp	34	73-124-B	2	Exhaust, Side Plate
9	80-316-C	1	Back Plate Weldment	35	73-406-A	1	Friction Disc
10	935-616	4	Washer - Spring Lock 3/8	36	73-125-B	2	Exhaust Deft. Weld.
11	65-616-24	4	Bolt - Hex. Hd. 3/8-16x1 1/2	37	81-65-A	1	Universal Joint
12	335-516	2	Nut, Hex. 5/16-18	38	73-126-A	1	Link, Exhaust Def.
13	935-516	2	Washer, Lock 5/16	39	65-416-12	4	Bolt, Hex, Hd. 1/4-20x3/4
14	80-101-A	2	Bushing	40	73-79-F	1	Blower Housing
15	80-144-A	2	Guide, Roller	41	365-10	6	Nut, Hex Lock 10-24
17	65-516-20	2	Bolt, Hex Hd., 5/16-18x1 1/4	42	945-10	6	Washer, Flat
19	564-C-516-6	1	Set Screw 5/16-18x3/8	43	515-10-10	6	Screw, Rd. Hd. 10-24x5/8
20	73-118-D	1	Fan	44	935-416	1	Lockwasher Spring 1/4
21	505-416-20	8	Screw - Flat Hd. 1/4-20x1 1/4	45	945-416	4	Washer Plain 1/4
22	79-129-C	1	Pivot Ring	46	73-415-A	1	Spacer - Fan, Tecumseh Engine
23	73-119-A-3	1	Retainer, Fan	46	74-154-A	1	Spacer - Fan, Kohler Engine
24	936-716	1	Lockwasher, Int. Tooth 7/16	47	65-416-10	1	Bolt Hex. Hd. 1/4-20x5/8
25	73-123-C	4	Anti-Wrap	48	81-106-C	1	Cotter Hairpin
*26	65-39-A	1	Bolt - Fan	49	81-71-A	1	Sleeve

*Torque to 55-59 Ft. lbs.

CHASSIS AND ENGINE ASSEMBLY



AF-300

PARTS LIST

Ref. No.	Part No.	Qty. Per Unit	Description	Ref. No.	Part No.	Qty. Per Unit	Description
1	380-432-20	2	Cotter Pin, 1/8 Dia x 1 1/4	14	945-516	4	Washer, Flat, 5/16
2	945-1216	4	Washer, Flat	15	365-516	6	Nut, Hex., Lock, 5/16
3	67-521-A	2	Roll Pin	16	69-125-A	1	Elbow, Street, 1x45° (Kohler only)
4	73-240-A	1	Conduit Locknut (Kohler only)	17	67-68-A	1	Nipple, 1 x 3 (Kohler only)
5	68-447-B	2	Wheel	18	80-338-C	1	Roller Support
6	75-115-A	1	Throttle Cable Clip (Kohler only)	19	66-346-A	1	Roller
7	68-312-A	2	Tire, 5.30x4.50x6	20	66-432-A	2	Bearing
8	66-96-A	1	Speed Nut 10-24, U-Type (Kohler)	21	80-340-A	2	Spacer
9	73-360-C	1	Chassis Weldment	22	80-339-A	1	Axle
10		1	Plug, Pipe (Supplied with engine)	23	65-516-20	4	Bolt, Hex Hd., 5/16-18x1 1/4
12	57-81-A	1	Elbow (Supplied with Kohler engine)	24	515-10-8	1	Screw 10x24-1/2 Rd. Hd. (Kohler only)
13	78-121-A	1	Engine, Kohler	25	65-516-24	2	Bolt, Hex Hd., 5/16-18x1 1/2
13	81-187-D	1	Engine, Tecumseh	26	81-02-A	2	Bracket

"OBSERVE SAFETY AT ALL TIMES"

Order all parts from your nearest PARKER PARTS DISTRIBUTORS. If unable to locate the part from your Parts Distributor, forward your order to PARKER SWEEPER COMPANY for handling.

Hart-Greer, Inc.
900 N. 24th St.
BIRMINGHAM, AL 35203

Lawn & Garden Supply Co.
2222 N. 27th Ave.
PHOENIX, AZ 85017

Lawn & Garden Supply Co.
5455 S. Nogales Highway
TUCSON, AZ 85706

H.V. Carter Company
1700 E. 14th St.
OAKLAND, CA 94606

Tarzana Mower & Engine Parts,
Inc.
6075 Reseda Blvd.
RESEDA, CA 91335

Colorado Outdoor Equip., Inc.
527 W. Evans
DENVER, CO 80223

Zaun Equipment Co.
2330 Bruner Ln., S.E.
FORT MYERS, FL 33908

Zaun Equipment, Inc.
1741 Hamilton St.
JACKSONVILLE, FL 32210

Florida Turf & Garden
7275 N.W. 64th St.
MIAMI, FL 33166

Zaun Equipment, Inc.,
1140 S. Rio Grande Ave.
ORLANDO, FL 32806

Zaun Equipment, Inc.
3032 44th Ave., N.
ST. PETERSBURG, FL 33714

Lawn & Turf, Inc.
Hwy. Interstate 20, East
CONYERS, GA 30207

Boyd Martin Co.
4554 Chinden Blvd.
BOISE, ID 83704

Geo. A. Davis
5440 Northwest Highway
CHICAGO, IL 60630

Plante's Lawn Equip., Inc.
4 Grant St.
NORTH AURORA, IL 60542

T.E. Booher & Sons
1009 W. State St.
ALBANY, IN 47320

Bruce Engine, Inc.
1791 N.W. 86th St.
DES MOINES, IA 50322

Morton B. Collins
300 Birnie Ave.
SPRINGFIELD, MA 31106

Frost Company
483 Wildwood St.
WOBBURN, MA 01801

Ideal Mower Sales, Inc.
811 Woodward Heights
FERNDALE, MI 48220

Lorenz Service Company
2500 S. Pennsylvania Ave.
LANSING, MI 48220

R.L. Gould Company
3711 N. Lexington Ave.
ST PAUL, MN 55112

Hance Distributors
420 Excelsior Ave., W.
HOPKINS, MN 55343

Gunthers Service & Supply
7320 Wornall Rd.
KANSAS CITY, MO 64114

Henzler, Inc.
2015 Lemay Ferry Rd.
ST. LOUIS, MO 63125

Port Huron Machinery & Supply
801 Q St.
LINCOLN, NE 68508

George Smith & Sons, Inc.
322 Broadway
BETHPAGE, L.I., NY 11714

Grasslands Equip. & Irrigation
892 Troy Schenectady Rd.
LATHAM, NY 12110

Henry W. O'Neil & Associates,
Inc.
410 N. Goodman St.
ROCHESTER, NY 14609

The Messinger Company, Inc.
374 Avery St.
ROCHESTER, NY 14606

American Hdwe. & Equip.
3940 Greensboro St.
CHARLOTTE, NC 28206

Hayward Distributing Co.
460 Neilston St.
COLUMBUS, OH 43215

Schroeder Sales & Service, Inc.
1144 Harrison Ave.
HARRISON, OH 45030

Hershman's, Inc.
12477 Benner Rd.
RITTMAN, OH 44270

Parker Sweeper Company
P.O. Box 1728
SPRINGFIELD, OH 45501
Phone: 513-323-4901

M.P.E. Sales, Inc.
25850 Chardon Rd.
CLEVELAND, OH 44143

Tri-County Sales & Service
15 North West Ave.
YOUNGSTOWN, OH 44502

Wait Sales Company
406-10 S. Peoria, Box 1015
TULSA, OK 74120

Baltz & Son Co.
9817 E. Burnside
PORTLAND, OR 97216

Monroe Machinery & Supplies,
Inc.
1421 S.E. Gidson St.
PORTLAND, OR 97242

Lawn & Golf Supply Co.
647 Nutt Rd.
PHOENIXVILLE, PA 19460

Gardenville Supply Co., Inc.
Route 611
PIPERSVILLE, PA 18947

Bluemont Co.
11125 Frankstown Rd.
PITTSBURGH, PA 15235

Niemeyer Corp.
1135 Phoenixville Pike, Box 531
WEST CHESTER, PA 19380

Fidelity Sales Corp.
6331 Baum Dr.
KNOXVILLE, TN 37919

Fidelity Sales Corp.
447 E. Market St.
KINGSPORT, TN 37662

Fidelity Sales Corp.
6044 Lee Highway
CHATTANOOGA, TN 37421

Goldthwaite's of Dallas, Inc.
2700 Forest Ln., Box 34660
DALLAS, TX 75234

Goldthwaite's of Ft. Worth
1401 Foch St.
FT. WORTH, TX 76107

Goldthwaite's of Houston, Inc.
220 Fariss
HOUSTON, TX 77025

Goldthwaite's of Texas, Inc.
10751 Sentinel
SAN ANTONIO, TX 78217

Boyd Martin Company
1260 N.W. Temple
SALT LAKE CITY, UT 84116

Denver Wholesale Florist Co.
1211 S. Swanner
SALT LAKE CITY, UT 94104

Wetsel Seed Co.
941 N. Liberty
HARRISONBURG, VA 22801

The Bentley Company
4126 Airport Way, S.
SEATTLE, WA 98108

Northwest Mower, Inc.
926 N. 165th St.
SEATTLE, WA 98133

Interstate Radiator & Lawn
Mower Co.
1611 4th Ave.
CHARLESTON, WV 25312

R.L. Gould
344 Berger St.
GREEN BAY, WI 54302

Four Seasons Equipment, Inc.
7373 S. 6th St.
OAK CREEK, WI 53154

Farm & Tiller Sales, Ltd.
1205 E. Hastings St.
VANCOUVER, B.C., CANADA
V6A155

Hoffars Sales, Ltd.
14251 Burrows Rd.
RICHMOND, B.C., CANADA
V6V 1K9

Robertson Seed, Ltd.
9241-48th St.
EDMONTON, ALBERTA,
CANADA T6B 2R9

Morin Equipment, Inc.
90 Rue D'Anvers
Parc Industriel
ST. AUGUSTIN, QUEBEC,
CANADA G0A 3E0

Morin Equipment, Inc.
270 Ave. Du
Parc Industriel
LONGUEVIL, MONTREAL,
CANADA J4H 3V6

Uniquip Canada Ltd.
2813 Botham
MONTREAL, QUEBEC,
CANADA H4S 1H8

Duke Lawn Equipment
1184 Plains Road, East
BURLINGTON, ONTARIO,
CANADA L7S 1W6

Uniquip Canada, Ltd.
6295 Shawson Dr., Unit 8
MISSISSAUGA, ONTARIO,
CANADA L5T 1H4

