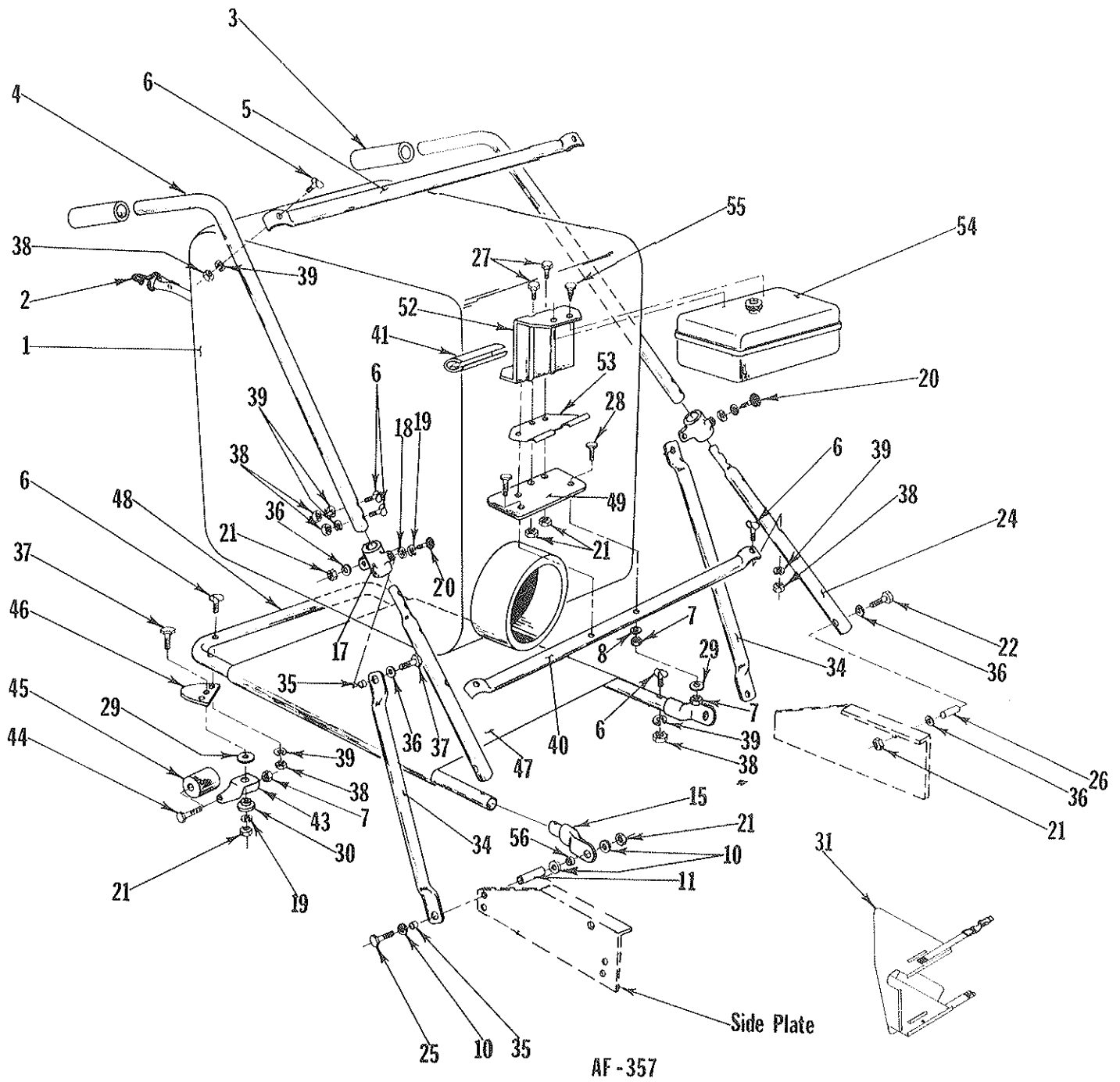


HANDLE AND BAG ASSEMBLY



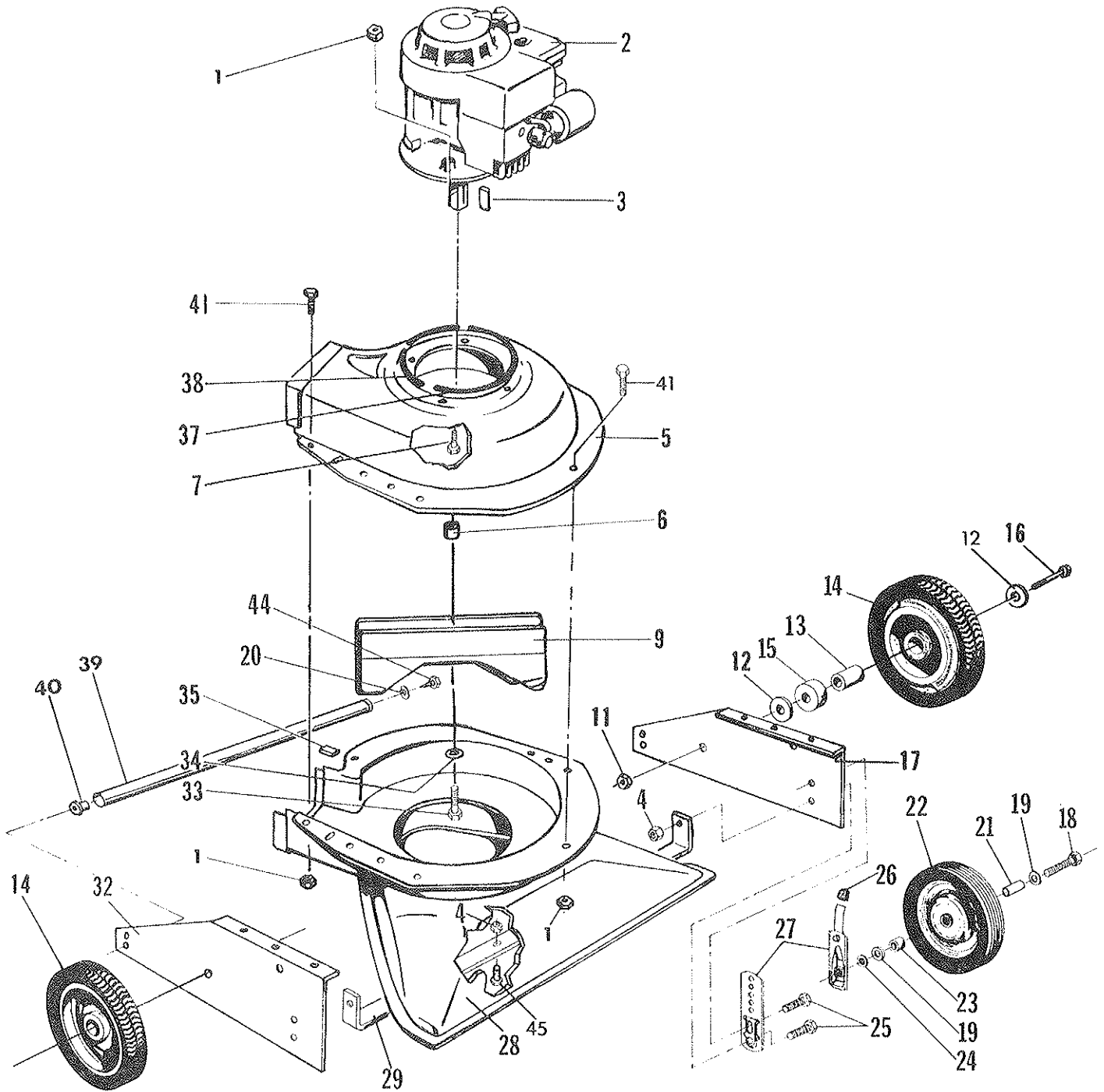
HANDLE AND BAG ASSEMBLY

PARTS LIST

REF NO.	PART NO.	QTY. PER UNIT	DESCRIPTION
1	SA-790-D	1	Dust Bag Assy.
2	63-304-A	2	Bag Hook
3	80-233-A	2	Handle Grip, Blue
4	80-321-C	2	Upper Handle
5	81-157-B	1	Cross Bar Upper
6	69-416-24	14	Bolt, Contour Hd. 1/4-20x1 1/2
7	365-416	4	Nut, Hex. Lock 1/4-20
8	945-416	2	Flatwasher 1/4
10	76-36-A	6	Special Washer
11	82-31-A	2	Spacer
15	81-116-A	2	Tubing End Cap
17	80-246-B	2	Pivot Bracket
18	936-516	2	Lockwasher, Int. Tooth 5/16
19	935-516	4	Lockwasher, Spring 5/16
20	80-228-A	2	Knurled Torque Knob
21	365-516	11	Nut, Hex. Lock 5/16-18
22	65-516-28	2	Bolt, Hex. Hd. 5/16-18x1 3/4
24	81-60-B	2	Middle Handle
25	65-516-36	2	Bolt, Hex. Hd. 5/16-18x2 1/4
26	80-238-A	2	Handle Inserts
27	65-516-12	3	Bolt, Hex. Hd. 5/16-18x3/4
28	65-416-32	2	Bolt, Hex. Hd. 1/4-20x2
29	50-230-A	4	Special Washer
30	78-130-A	2	Caster Bearing
31	82-194-C	1	Deflector Assy.
34	80-187-C	2	Truss Brace
35	54-227-A	4	Spacer
36	945-516	8	Flatwasher 5/16
37	65-516-16	4	Bolt, Hex. Hd. 5/16-18x1
38	335-416	14	Nut, Hex. Plain 1/4-20
39	935-416	14	Lockwasher 1/4
40	81-156-B	1	Cross Bar Lower
41	81-200-A	1	Bag Protector
43	76-136-B	2	Caster Fork
44	76-202-A	2	Axle
45	81-79-A	2	Roller
46	82-02-B	2	Caster Plate
47	81-117-C	1	Bag Platform
48	81-96-C	1	Frame, Bag Platform
49	81-145-B	1	Tank Bracket
*52	22-553-153	1	Lower Bracket
*53	22-533-154	1	Tank Support
*54	1-A-116-251-26	1	Gas Tank, 4 Qt.
*55	42-481-60	2	Self Tapping Screw
56	81-120-A	2	Spacer

*(Tecumseh Part No.)

CHASSIS ASSEMBLY



AF - 356

PARTS LIST

REF NO.	PART NO.	QTY. PER UNIT	DESCRIPTION
1	365-516	14	Nut, Hex. Lock 5/16-18
2	81-128-D-1	1	Engine, Tecumseh 5 H.P.
3	6165-A	1	Key, Engine
4	365-616	5	Nut, Hex. Lock 3/8-16
5	82-04-C	1	Upper Housing
6	73-414-A	1	Spacer
7	65-516-24	3	Bolt, Hex. Hd. 5/16-18x1½
9	SA-1014-B <i>R/W SA-1035-B</i>	1	Impeller Assembly
11	363-816	2	Nut, Hex. Lock 1/2-20
12	58-05-A	4	Flatwasher 1/2
13	58-06-A	2	Sleeve
14	SA-1036-C	2	Wheel & Tire Assy.
15	76-325-A	2	Spacer
16	60-816-52	2	Bolt, Hex. Hd. 1/2-20x3¼
17	81-115-A	1	Side Plate, L.H.
18	65-616-44	2	Bolt, Hex. Hd. 3/8-16x2¾
19	945-616	4	Flatwasher 3/8
20	935-516	2	Lockwasher, Spring 5/16
21	70-85-A	2	Spacer Bushing
22	70-69-A	2	Front Wheel
23	79-139-A	2	Blower Spacer
24	936-616	2	Lockwasher, Int. Tooth 3/8
25	81-129-B-5	4	Bolt, Hex. Hd. 3/8-16x1
26	81-129-B-4	2	Vinyl Spring Tip, Red
27	81-129-B-3	2	Spring Lever Assy.
	81-129-B-1	2	Slide Plate
	81-129-B-2	2	Back Plate
28	82-06-D	1	Housing Assembly
29	82-11-C	1	Support, Side Plate
32	81-114-A	1	Side Plate RH
*33	60-616-28	1	Bolt, Hex. Hd. 3/8-24x1¾
34	935-616	1	Lockwasher, Spring 3/8
35	400-1	1	Rub-R-Shim 1"
37	400-9.5	1	Rub-R-Shim 9½"
38	400-6	2	Rub-R-Shim 6"
39	81-123-A	1	Cross Brace
40	76-270-A	2	Insert
41	65-516-12	11	Bolt, Hex. Hd. 5/16-18x3/4
44	76-269-A	2	Lag Bolt 5/16x1
45	65-616-12	1	Bolt, Hex. Hd. 3/8-16x3/4

*Torque to 29-33 Ft. lbs.