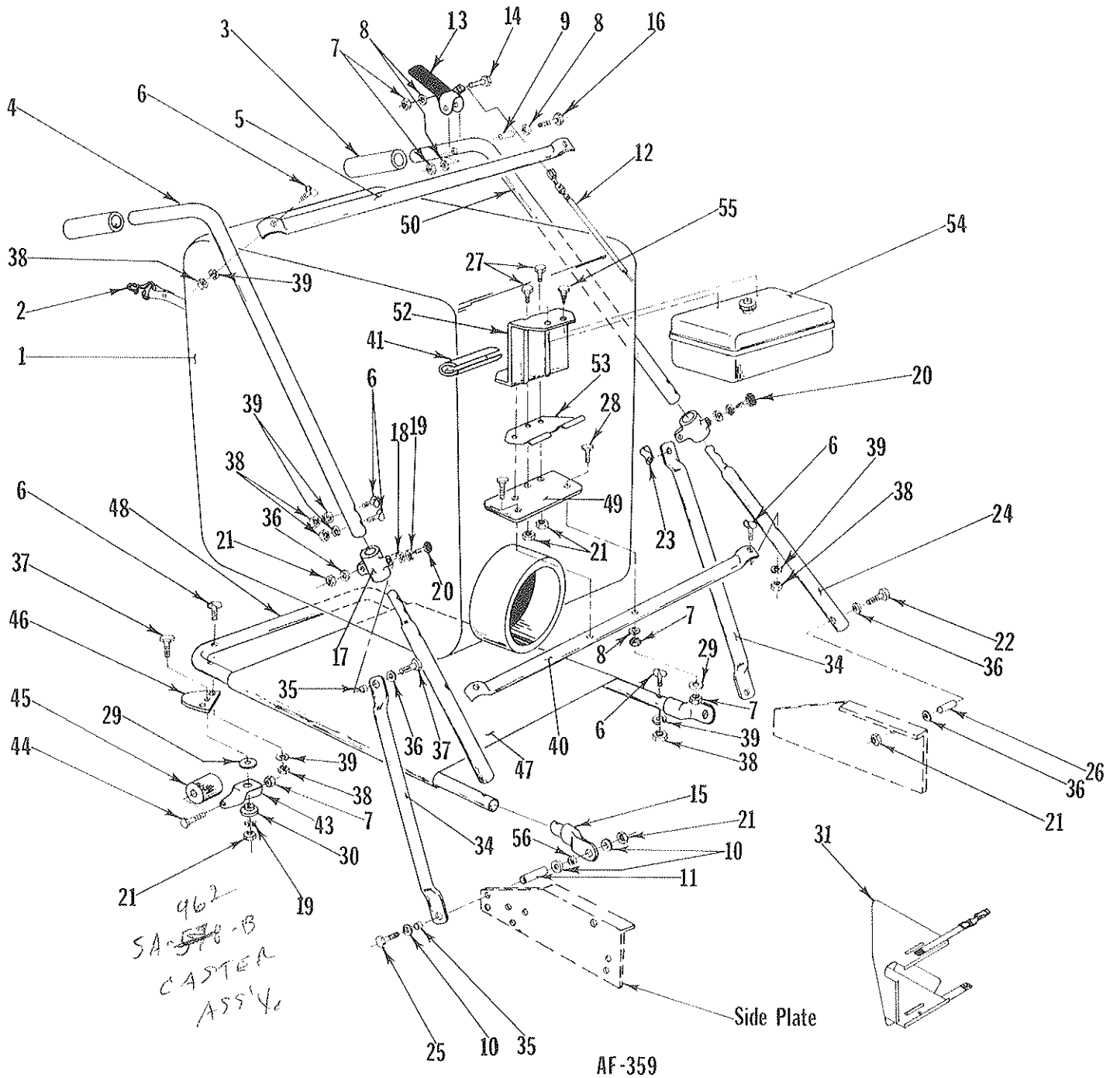


AF - 358

PARTS LIST

REF. NO.	PART NO.	QTY. PER UNIT	DESCRIPTION	REF. NO.	PART NO.	QTY. PER UNIT	DESCRIPTION
1	81-127-D1	1	Engine	44	82-53-A	1	Belt
2	65-516-32	3	Bolt Hex. Hd. 5/16-18x2	45	78-69-C	2	Dust Cover
3	77-112-B	1	Adapter Ring	46	79-104-A	2	Retaining Ring
4	80-317-A	1	Spacer	47	74-78-RB	1	Pinion Left Hand
5	80-244-A	1	Clutch Arm	48	74-79-LB	1	Pinion Right Hand
6	80-193-A	1	Extension Spring	49	74-80-A	4	Roller Pawl
7	81-129-B5	4	Bolt Hex. Hd. 3/8-16x1 (Special)	50	80-01-B	2	Pinion Cover
8	80-213-A	1	Spacer	51	61-416-6	4	Bolt Hex. Hd. 1/4-30x3/8
9	76-456-A	1	Clutch Pulley	52	58-05-A	4	Special Washer 1/2
10	80-180-A	1	Coupling	53	58-06-A	2	Sleeve
11	564-C-416-4	2	Set Screw 1/4-20x1/4	54	58-14- 0-1	2	Wheel
12	65-416-16	5	Bolt Hex. Hd. 1/4-20x1	55	75-88-C	2	Tire
13	SA-863-A	1	Bearing Support	56	935-516	2	Lockwasher 5/16
14	81-132-B	1	Guard	57	60-816-56	2	Bolt Hex. Hd. 1/2-20x3/2
15	77-27-A	6	Self Tapping Screw	58	76-37-A	4	Pawl Spring
16	61-65-A	1	Engine Key	59	65-616-12	1	Bolt Hex. Hd. 3/8-16x3/4
17	81-162-C	1	Upper Side Plate	60	82-11-C	1	Side Plate Support
18	65-516-16	7	Bolt Hex. Hd. 5/16-18x1	61	363-816	2	Hex. Lock Nut 1/2-20
20	81-165-A	1	Belt Popper	62	79-104-A	2	Retaining Ring
21	945-416	6	Flatwasher 1/4	63	81-114-A	1	Side Plate R.H.
22	65-616-44	2	Bolt Hex. Hd. 3/8-16x2 3/4	64	82-24-A	1	Fan Spacer
23	80-44-A	2	Clevis Pin	65	400-9172	1	Rubber Shim <i>64-178-A-9.5</i>
24	380-332-8	2	Cotter Pin	66	400-6	2	Rubber Shim <i>64-178-A-6</i>
25	81-161-A	1	Clutch Shaft	67	79-39-A	1	Hi-Pro Key #504
26	78-197-A	1	Flexible Coupling Assy.	68	81-126-A	1	Shaft
27	SA-864-A	1	Bearing & Sheave	69	80-283-A	1	Sheave
28	365-416	16	Hex. Lock Nut 1/4-20	70	935-616	1	Lockwasher 3/8
29	63-132-A	1	Hi-Pro Key #606	71	81-124-A	1	Clutch Control Rod
30	82-04-C	1	Upper Blower Housing	72	265-616	7	Lock Nut 3/8-16
31	365-516	20	5/16-18 Hex. Lock Nut	73	564-C-416-6	2	1/4-20x3/8 Allen Hd. Set Screw
32	70-69-A	2	Wheel, Front	74	76-269-A	2	Lag Bolt 5/16-18x1 1/2
33	SA-1035-B	1	Fan Blade Assy.	75	945-1016	2	Flat Washer 5/8
34	79-139-A	2	Spacer	76	65-416-12	10	Hex. Hd. Bolt 1/4-20x3/4
35	81-129-B	2	Wheel Adjuster Assy.	77	945-516	9	Flat Washer 5/8
36	936-616	2	Int. Tooth Lockwasher	78	65-516-12	12	Bolt Hex. Hd. 5/16-18x3/4
37	60-616-40	1	Bolt Hex. Hd. 3/8-24x2 1/2	79	SA-984-A	1	Cross Brace Assy.
38	400-164-178-A	1	Rubber Shim	80	81-167-A	1	Belt Popper
39	82-08-D <i>81-58-D</i>	1	Housing & Silkscreen	81	51-23-A	1	Spacer
40	81-125-A	1	Drive Shaft	82	80-282-A	1	Sheave
41	945-616	5	Flatwasher 3/8	83	74-167-A	1	Spring
42	78-70-B-M2	2	Bearing Support	84	70-85-A	1	Spacer Bushing
43	81-115-A	1	Side Plate L.H.	85	68-60-A	1	Bearing

HANDLE & BAG ASSEMBLY



HANDLE AND BAG ASSEMBLY

PARTS LIST

REF. NO.	PART NO.	QTY. PER UNIT	DESCRIPTION	REF. NO.	PART NO.	QTY. PER UNIT	DESCRIPTION
1	SA-790 MA-426-7	1	Dust Bag Assy.	27	65-516-12	3	Bolt, Hex. Hd. 5/16-18x3/4
2	63-304-A	2	Bag Hook	28	65-416-32	2	Bolt, Hex. Hd. 1/4-20x2
3	80-233-A 80-232-A	2	Handle Grip, Blue	29	50-230-A	4	Washer Special 5/16
4	80-321-C	1	Upper Handle R.H.	30	78-130-A	2	Caster Bearing
5	81-157-B	1	Cross Bar Upper	31	82-194-C	1	Deflector Assy.
6	69-416-24	14	Bolt, Contour Hd. 1/4-20x1 1/2	34	80-187-C	2	Truss Brace
7	365-416	8	Nut, Hex. Lock 1/4-20	35	54-227-A	4	Spacer
8	945-416	5	Flatwasher 1/4	36	945-516	8	Flatwasher 5/16
9	80-225-A 80-264-A	1	Spacer	37	65-516-16	4	Bolt, Hex. Hd. 5/16-18x1
10	76-36-A	6	Special Washer	38	335-416	14	Nut, Hex. 1/4-20
11	82-31-A	2	Spacer	39	935-416	14	Lockwasher 1/4
12	80-303-A	1	Cable, Clutch	40	81-156-B	1	Cross Bar Lower
13	80-300-A	1	Clutch Grip	41	81-200-A	1	Bag Protector
14	65-416-16	1	Bolt Hex. Hd. 1/4-20x1	43	76-136-B	2	Caster Fork
15	81-116-A	2	Tubing End Cap	44	76-202-A	2	Axle
16	65-416-28	1	Bolt Hex. Hd. 1/4-20x1 3/4	45	81-79-A	2	Roller
17	80-246-B	2	Pivot Bracket	46	82-02-B	2	Caster Plate
18	936-516	2	Lockwasher, Int. Tooth 5/16	47	81-117-C	1	Bag Platform
19	935-516	4	Lockwasher, Spring 5/16	48	81-96-C	1	Frame, Bag Platform
20	80-228-A	2	Knurled Torque Knob	49	81-145-B	1	Tank Bracket
21	365-516	11	Nut, Hex. Lock 5/16-18	50	80-234-C	1	Upper Handle L.H.
22	65-516-28	2	Bolt, Hex. Hd. 5/16-18x1 3/4	*52	22-553-153	1	Lower Bracket
23	82-54-A	1	Clamp	*53	22-553-154	1	Tank Support
24	81-60-B	2	Middle Handle	*54	1-A-116-251-26	1	Gas Tank, 4 Qt.
25	65-516-36	2	Bolt, Hex. Hd. 5/16-18x2 1/4	*55	42-481-60	2	Self Tapping Screw
26	80-238-A	2	Handle Inserts	56	81-120-A	2	Spacer

*(Tecumseh Part No.)