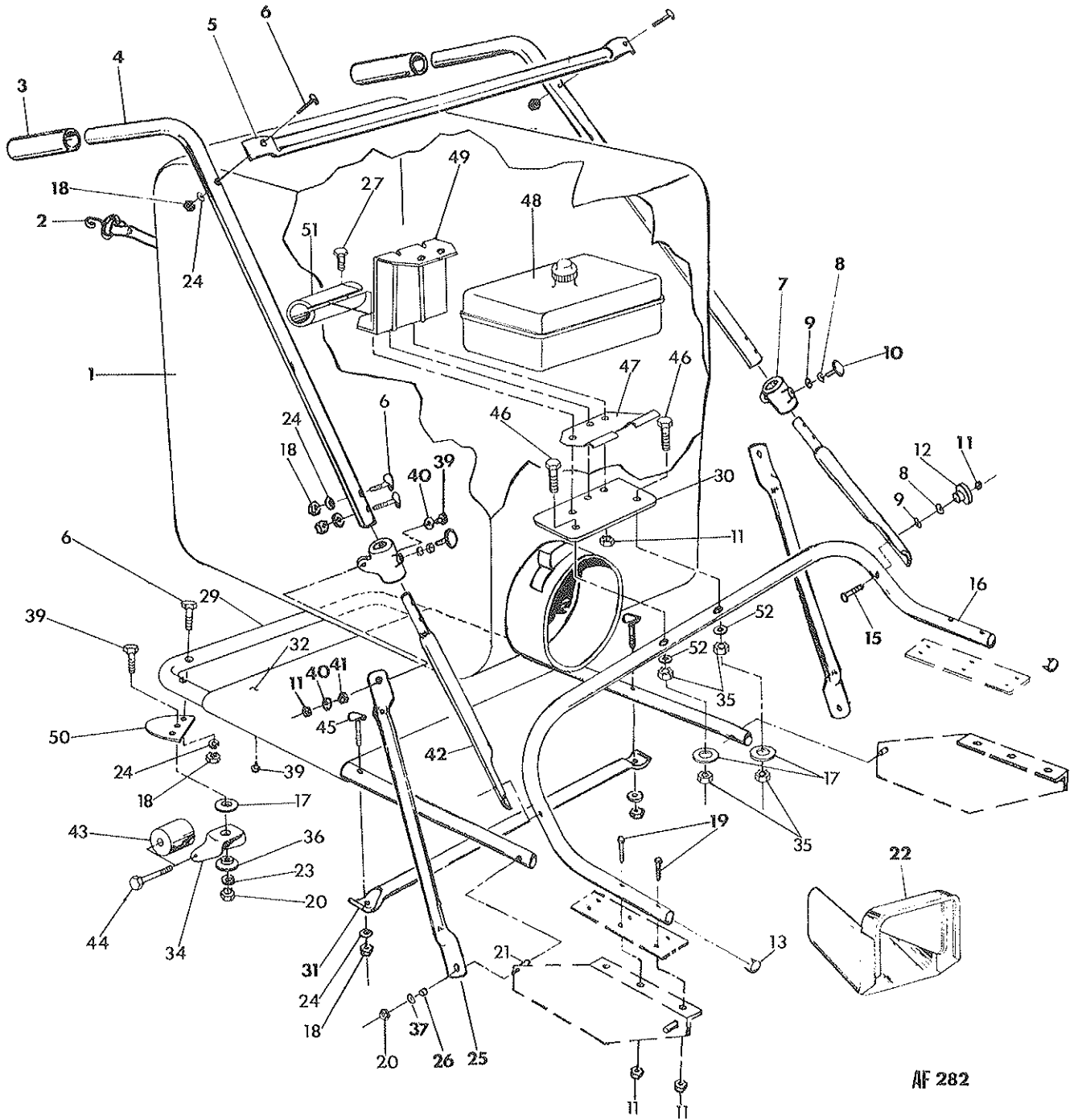


HANDLE AND BAG ASSEMBLY

AF-282



AF 282

HANDLE AND BAG ASSEMBLY

(AF-282)

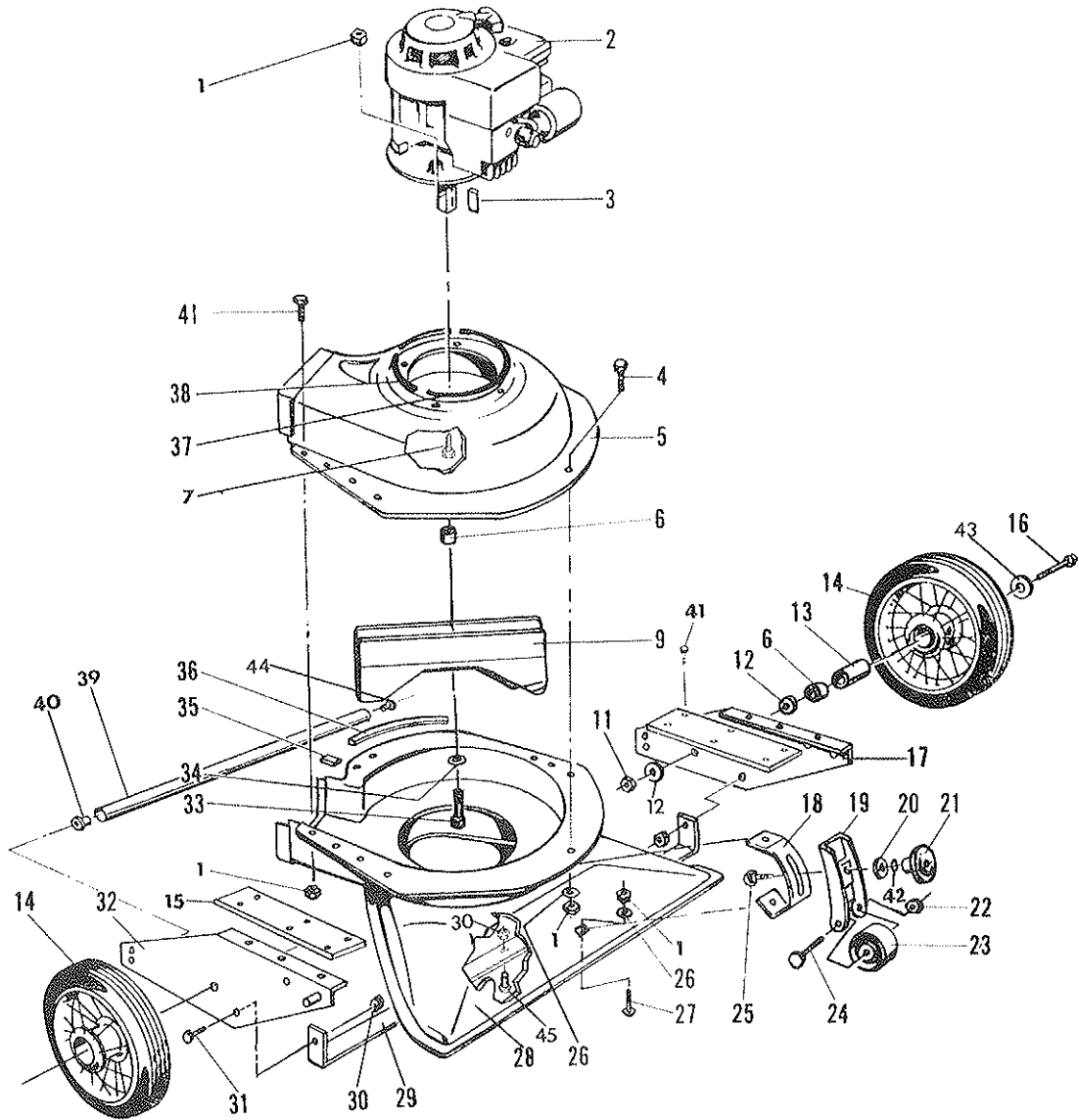
PARTS LIST

Ref. Part No.	Part No.	Qty. Per Unit	Description	Ref. Part No.	Part No.	Qty. Per Unit	Description
1	SA-790-D	1	Dust Bag Assembly	27	65-516-12	6	Bolt, Hex Hd., 5/16-18x¾
2	63-304-A	2	Bag Hook	28	69-516-32	1	Bolt, Cont. Hd., 5/16-18x2
3	80-232-A	2	Grip, Handle - Blue	29	81-195-C	1	Frame, Bag Platform
4	80-321-C	2	Upper Handle	30	81-145-B	1	Tank Plate
5	80-313-B	1	Cross Bar - Upper	31	80-172-C	1	Cross Brace
6	69-416-24	10	Bolt, Cont. Hd., ¼-20x1½	32	80-170-C	1	Bag Platform
7	80-246-B	2	Pivot	33	80-265-A	1	Pivot Bearing Block
8	936-616	4	Lock Washer, ¾ Int. Tooth	34	76-136-B	2	Caster Fork
9	935-616	4	Lock Washer, ¾	35	365-416	6	Nut, Hex Lock, ¼-20
10	80-228-A	2	Knurled Torque Knob	36	50-230-A	3	Washer, Special
11	365-516	11	Nut, Hex Lock, 5/16-18	37	935-516	4	Lockwasher Int. Tooth
12	79-94-A	2	Plastic Knob	38	77-27-A	1	Screw, Self-Tapping, 10-16x¾
13	80-267-A	2	Cap, Tube	39	65-516-16	4	Bolt, Hex Hd, 5/16-18x1
14	59-77-A	1	Clamp	40	945-516	4	Flat Washer, 5/16
15	81-94-A	2	Bolt, Carriage, 5/16-18x2¾	41	54-227-A	2	Spacer
16	81-150-C	1	Lower Handle	42	80-320-C	2	Middle Handle
17	78-130-A	2	Bearing, Caster	43	81-79-A	2	Roller
18	335-416	12	Nut, Hex, Plain, ¼-20	44	76-202-A	2	Axle
19	65-516-28	4	Bolt, Hex Hd., 5/16-18x1¾	45	69-416-20	2	Bolt, Cont. Hd. ¼-20x1¾
20	335-516	3	Nut, Hex Plain	46	65-416-32	2	Bolt, Hex. Hd. ¼-20x2
21	80-299-A	2	Pin, Hinge	*47	22-553-154	1	Bracket, Lower
22	80-215-C	1	Deflector Weldment	*48	1A-116-251-26	1	Gas Tank
23	935-516	2	Lock Washer 5/16	*49	22-553-153	1	Bracket
24	935-416	12	Lock Washer, ¼	50	81-95-B	2	Caster Plate
25	80-187-C	2	Truss Brace	51	81-200-A	1	Bag Protector
26	54-227-A	2	Spacer	52	945-416	2	¼ Flatwasher

*(Tecumseh Part No.)

CHASSIS ASSEMBLY

AF-281



AF 281

CHASSIS ASSEMBLY

(AF-281)

PARTS LIST

Ref. No.	Part No.	Qty. Per Unit	Description	Ref. No.	Part No.	Qty. Per Unit	Description
1	365-516	12	Nut, Hex Lock, 5/16	22	265-616	1	Nut, Hex Lock, 3/8-16
2	81-128-D	1	Engine, Tecumseh 5 H.P.	23	64-169-A	1	Roller
3	61-65-A	1	Key, Engine	24	65-616-48	1	Bolt, Hex Hd. 3/8-16x3
4	65-516-16	1	Bolt, Hex Hd 5/16-18x1	25	70-516-32	1	Bolt, Carriage, 5/16-18x2
5	63-280-F	1	Upper Housing	26	945-516	2	Flat Washer, 5/16
6	73-414-A	3	Spacer	27	70-516-12	1	Bolt, Carriage, 5/16-18x3/4
7	65-516-24	3	Bolt, Hex Hd, 5/16-18x1 1/2	28	81-147-D	1	Housing Assembly
9	SA-654-B	1	Impeller Assembly	29	80-165-B	1	Support, Side Plate
11	368-816	2	Nut, Thin Hex Lock, 1/2-20	30	365-416	4	Nut, Hex Lock, 1/4-20
12	68-95-A	4	Flat Washer, 1/2	31	65-416-16	2	Bolt, Hex Hd., 1/4-20x1
13	73-33-A	2	Wheel Bushing	32	78-60-RB	1	Side Plate, R.H.
14	SA-357-C	2	Wheel Assembly	*33	60-616-28	1	Bolt, Hex Hd., 3/8-24x1 3/4
15	80-168-B	2	Extension Plate	34	935-616	1	Washer, Lock, 3/8
16	60-816-76	2	Bolt, Hex Hd., 1/2-20x4 3/4	35	400-1	1	Rub-R-Shim 1"
17	78-59-LB	1	Side Plate, L.H.	36	63-299-A	1	Rubber Molding
18	66-216-B	1	Front Roller Support	37	400-9.5	1	Rub-R-Shim 9/2"
19	64-197-B	1	Fork, Roller	38	400-6	1	Rub-R-Shim 6"
20	935-516	1	Washer, Lock, 5/16	39	80-166-A	1	Cross Brace, Tube
21	79-94-A	1	Adjusting Knob	40	76-270-A	2	Insert
				41	65-516-12	12	Bolt, Hex Hd., 5/16-18x3/4
				42	936-516	1	Washer, Lock, Int. Tooth
				43	945-816	2	Flat Washer 1/2
				44	76-269-A	2	Lag Bolt 5/16x1 1/2
				45	65-416-10	1	Hex Hd. Bolt 1/4-20x3/8

*Torque to 29-33 ft. lbs.