

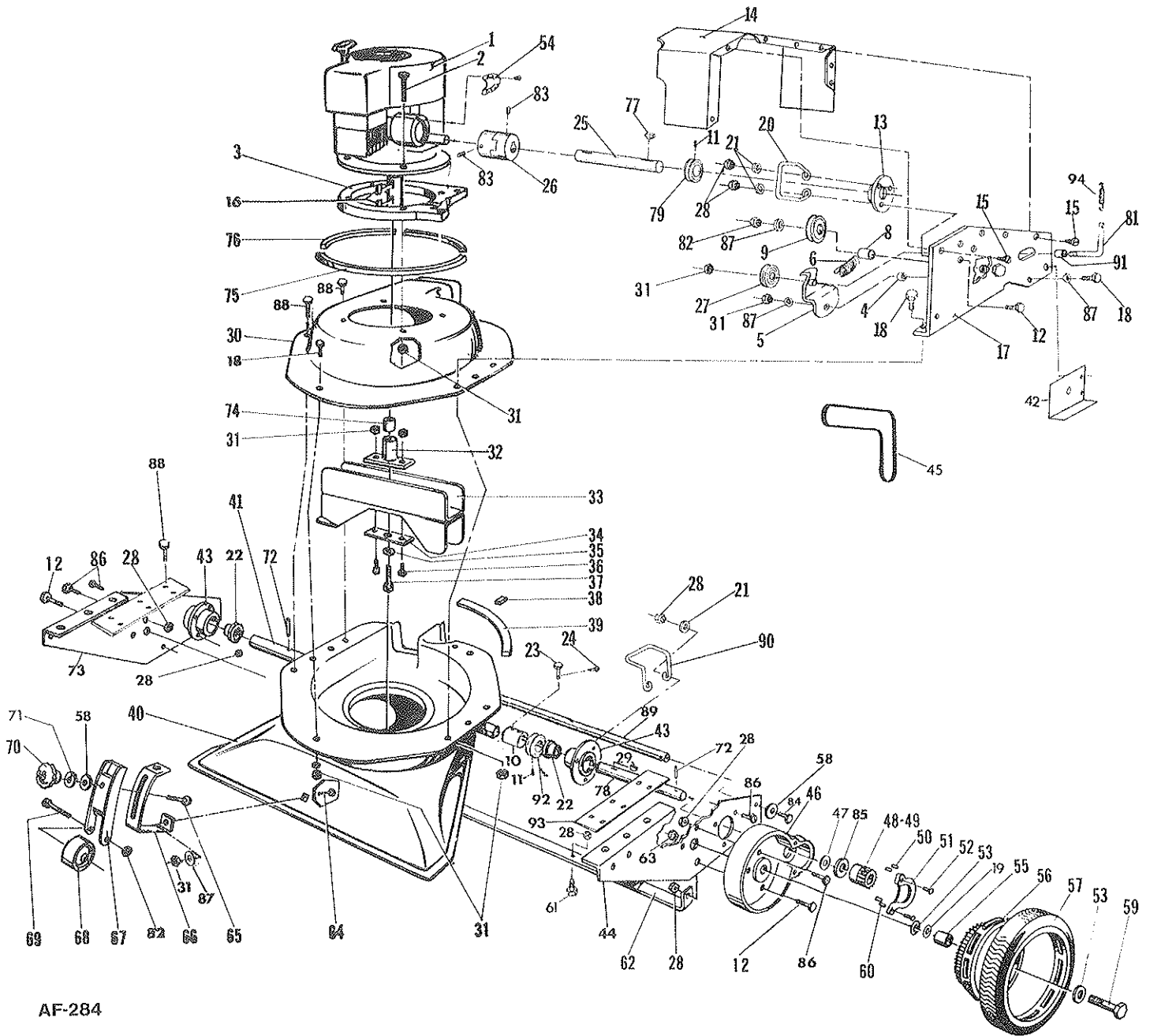
HANDLE & BAG ASSEMBLY

(AF-283)

PARTS LIST

Ref. No.	Part No.	Qty. Per Unit	Description	Ref. No.	Part No.	Qty. Per Unit	Description
1	SA-790-D	1	Dust Bag Assembly <i>MA-426-1</i>	26	80-173-C	1	Lower Handle
2	63-304-A	2	Bag Hook	27	945-516	2	Washer, Flat, 5/16
3	80-233-A	2	Handle Grip, Blue <i>80-232-A</i>	28	65-516-32	4	Bolt, Hex Hd., 5/16-18x2
4	80-321-C	1	Upper Handle, R.H.	29	50-230-A	1	Washer, Special, 5/16
5	80-313-D	1	Cross Bar, Upper	30	78-130-A	1	Bearing, Caster
6	69-416-24	2	Bolt, Cont. Hd., 1/4-20x1 1/2	31	80-215-C	1	Deflector Weldment <i>82-194-c</i>
7	365-416	9	Nut, Hex Lock, 1/4-20	32	365-516	4	Nut, Hex Lock, 5/16-18
8	945-416	4	Washer, Flat, 1/4	33	69-416-20	2	Bolt, Contour Hd., 1/4-20x1 1/2
9	81-15-A	1	Spacer	34	80-187-C	2	Truss Brace
10	80-267-A	2	Cap, Tube	35	54-227-A	4	Spacer
11	59-77-A	1	Clamp	36	945-516	3	Flat Washer, 5/16
12	80-303-A	1	Cable, Clutch	37	65-516-16	2	Bolt, Hex Hd., 5/16-18x1
13	80-300-A	1	Grip Assy., Clutch <i>SA-1176-4</i>	38	335-416	8	Nut, Hex 1/4-20
14	65-416-16	1	Bolt, Hex, 1/4-20x1	39	935-416	2	Washer, Lock, 1/4
15	69-416-24	4	Bolt, Contour Hd., 1/4-20x1 1/2	40	80-172-C	1	Cross Brace
16	65-416-32	1	Bolt, Hex Hd., 1/4-20x2	41	335-516	1	Nut, Hex 5/16-18
17	80-246-B	2	Pivot	42	935-516	1	Washer, Lock, 5/16
18	936-516	4	Lock Washer Int. Tooth, 5/16	43	76-136-B	1	Caster Fork
19	935-516	4	Lock Washer, 5/16	44	76-202-A	1	Axle
20	80-228-A	2	Knurled Torque Knob	45	76-58-A	1	Roller
21	365-516	4	Nut, Hex Lock, 5/16	46	80-265-A	1	Pivot Bearing Block
22	79-94-A	2	Plastic Knob	47	80-170-C	1	Bag Platform <i>81-195-c</i>
23	77-27-A	2	Screw, Self Tapping, Truss Head, #10-15x5/8	48	80-169-C	1	Frame, Bag Platform <i>81-195-c</i>
24	80-320-C	2	Middle Handle	49	69-516-32	1	Bolt, Contour Hd., 5/16-18x2
25	70-156-44	2	Bolt, Carriage, 5/16-18x2 3/4	50	80-324-C	1	Upper Handle, L.H.
	<i>70-516-44</i>			51	80-335-A	1	Clamp

CHASSIS ASSEMBLY



AF-284

CHASSIS ASSEMBLY

(AF-284)

PARTS LIST

Ref. No.	Part No.	Qty. Per Unit	Description	Ref. No.	Part No.	Qty. Per Unit	Description
1	78-156-A	1	Engine	48	74-78-RB	1	Pinion, R.H.
2	65-516-32	3	5/16-18x2 Hex Hd. Bolt	49	74-79-LB	1	Pinion, L.H.
3	77-112-B	1	Adapter Ring	50	74-80-A	4	Roller - Pinion
4	80-317-A	1	Spacer	51	80-01-B	2	Pinion Cover
5	80-244-A	1	Clutch Arm	52	61-416-6	4	1/4-20x3/8 Hex Hd. Bolt
6	80-193-A	1	Extension Spring	53	58-05-A	4	1/2" Special Washer
8	80-213-A	1	Spacer	54	80-266-A	1	Muffler Deflector
9	76-456-A	1	Clutch Pulley	55	58-06-A	2	Sleeve
10	80-180-A	1	Coupling	56	58-14-0-1	2	Wheel
11	564-C-416-4	2	Set Screw 1/4-20x1/4	57	75-88-C	2	Tire
12	65-416-16	1	Bolt, Hex Hd. 1/4-20x1	58	935-516	3	Lockwasher 5/16
13	SA-863-A	1	Bearing Support	59	60-816-56	2	1/2-20x3 1/2 Hex Hd. Bolt
14	80-183-D	1	Guard	60	76-37-A	4	Pawl Spring
15	77-27-A	7	Self-Tapping Screws	61	65-416-10	1	1/4-20x3/8 Hex Hd. Bolt
16	64-43-A	2	Hi-Pro Key #505	62	80-165-B	1	Side Plate Support
17	80-210-C	1	Upper Side Plate	63	363-816	2	1/2-20 Hex Lock Nut
18	65-516-16	5	5/16-18x1 Hex Hd. Bolt	64	70-516-12	1	5/16-18x3/4 Carriage Bolt
19	946-1416-20	2	Fiber Washer	65	70-516-32	1	5/16-18x2 Carriage Bolt
20	80-211-A	1	Belt Popper	66	66-216-B	1	Front Roller Support
21	945-416	3	Washer, Flat, 1/4	67	64-167-B	1	Roller Fork
22	68-60-A	2	Bearing	68	64-169-A	1	Roller
23	80-44-A	1	Clevis Pin	69	65-616-48	1	3/8-16x3 Hex Hd. Bolt
24	380-332-8	1	Cotter Pin	70	79-94-A	1	Knob, Plastic, 5/16-18
25	80-182-A	1	Clutch Shaft	71	936-516	1	Lockwasher, Int. Th. 5/16
26	78-197-A	1	Flexible Coupling Assy.	72	67-521-	2	Roll Pin, 3/16x1
27	SA-864-A	1	Bearing & Sheave	73	79-83-RC	1	Side Plate, R.H.
28	365-416	17	1/4-20 Hex Lock Nut	74	77-106-A	1	Fan Spacer
29	63-132-A	1	Hi-Pro Key, #606 <i>81-144-D</i>	75	400-94	1	Rubber Shim <i>64-178-B-9.5</i>
30	63-280-F	1	Upper Blower Housing Weldment	76	400-6	2	Rubber Shim <i>64-178-B-6</i>
31	365-516	20	5/16-18 Hex Lock Nut	77	79-39-A	1	Hi-Pro Key, #405
32	77-103-A	1	Blade Adapter	78	80-179-A	1	Shaft
33	63-287-B	1	Fan Blade Assy.	79	80-283-A	1	Sheave
34	63-305-A	1	Anchor Plate	81	80-315-A	1	Clutch Control Rod
35	935-516	1	3/8 Lock Washer	82	365-616	2	Lock Nut 3/8-16
36	65-516-20	2	5/16-18x1 1/4 Hex Hd. Bolt	83	564-C-416-6	3	1/4-20x3/8 Allen Hd. Set Screw
37	60-616-40	1	3/8-24x2 1/2 Hex Hd. Bolt	84	76-269-A	2	5/16x1 1/2 Lag Bolt
38	400-1	1	Rubber Shim <i>64-178-A</i>	85	945-1016	2	3/8 Flat Washer
39	63-299-A	1	Rubber Molding	86	65-416-12	12	1/4-20x3/4 Hex Hd. Bolt
40	80-322-D	1	Housing & Silkscreen	87	945-516	4	Flat Washer 5/16
41	80-178-A	1	Drive Shaft	88	65-516-12	8	5/16-18x3/4 Hex Hd. Bolt
42	80-207-A	1	Side Guard	89	SA-856-A	1	Cross Brace Assy.
43	78-70-B-M2	2	Bearing Support	90	80-212-A	1	Belt Popper
44	79-82-LC	1	Side Plate, L.H.	91	51-23-A	1	Spacer
45	80-222-A	1	Belt	92	80-282-A	1	Sheave
46	78-69-C	2	Dust Cover	93	80-168-B	2	Extension Plate
47	79-104-A	2	Retaining Ring	94	74-167-A	1	Spring