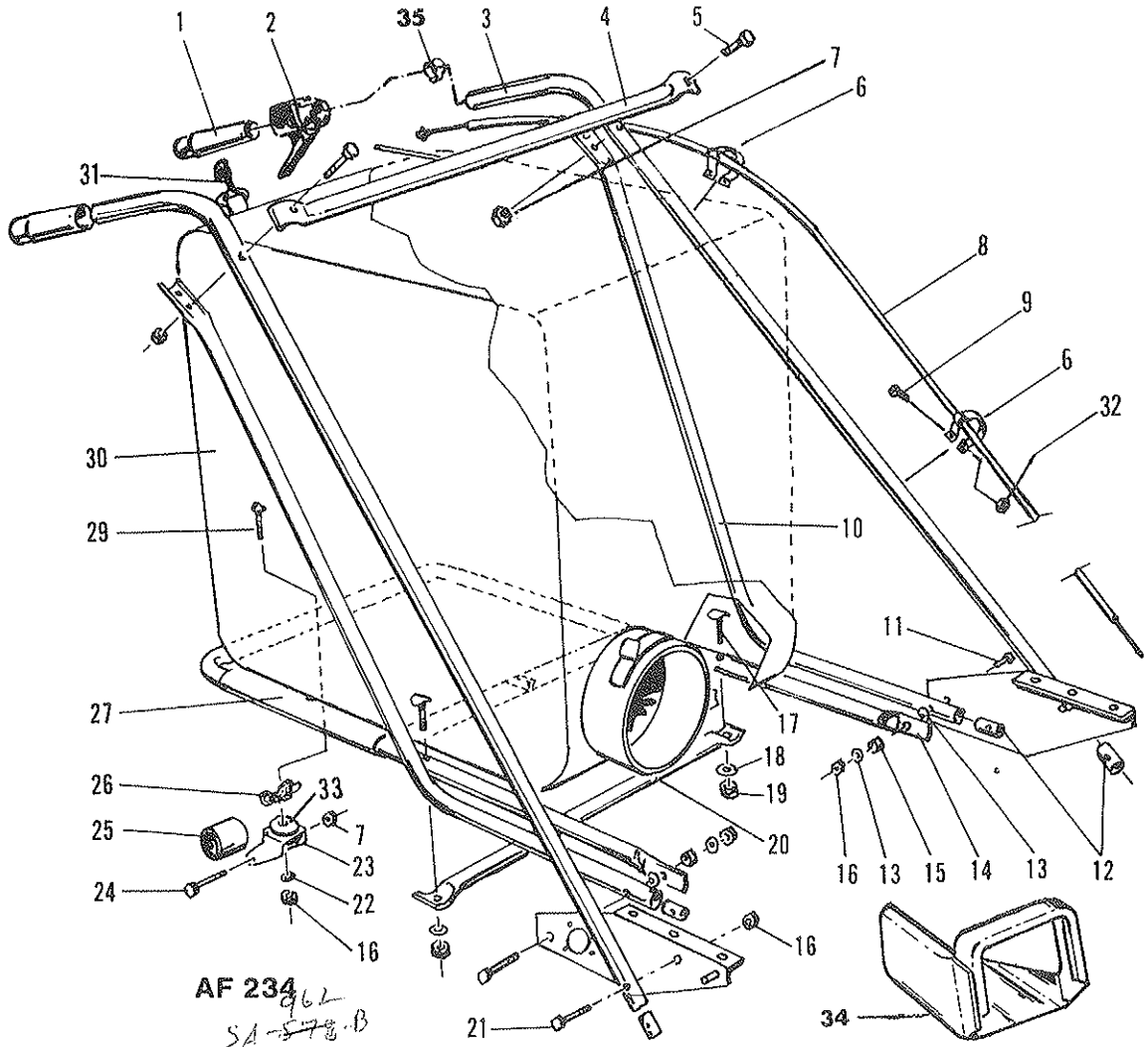


HANDLE & BAG ASSEMBLY



PARTS LIST

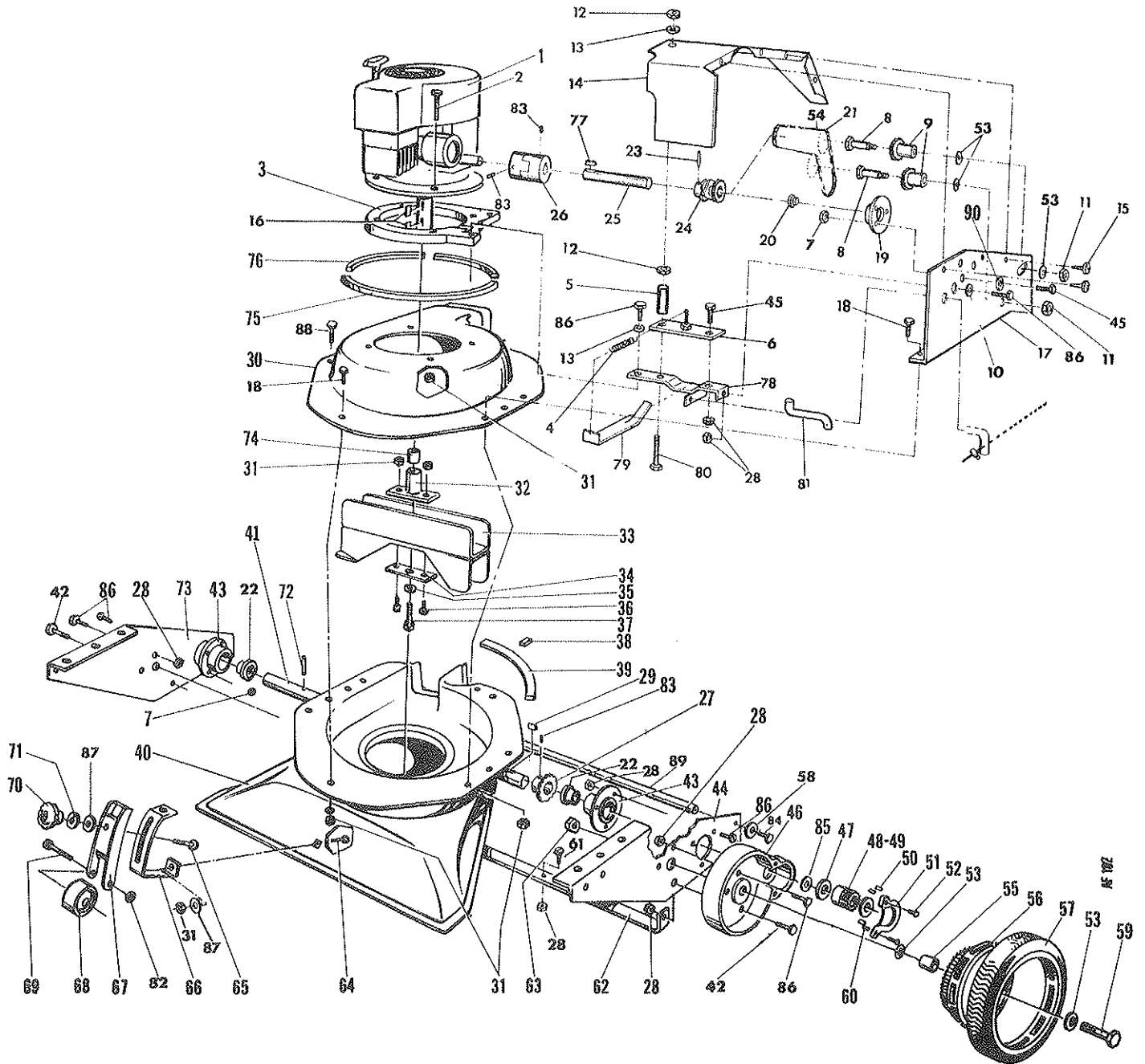
Ref. No.	Part No.	Qty. Per Unit	Description	Ref. No.	Part No.	Qty. Per Unit	Description
1	78-64-A	2	Handle Grip	18	935-416	2	Lockwasher 1/4" Spring
2	77-108-A	1	Clutch Lever Assy.	19	335-416	2	Nut 1/4-20 Hex Plain
3	77-98-B	2	Handle	20	77-114-B	1	Cross Brace
4	77-105-B	1	Cross Brace	21	65-516-24	2	Bolt 5/16-18 x 1 1/2, Hex
5	65-416-24	2	Bolt 1/4-20 x 1 1/2 Hex. Hd.	22	50-230-A	1	Special Washer 5/16
6	79-35-A	2	Cable Clamps	23	76-136-B	1	Caster Fork Assy.
7	365-416	1	Nut 1/4-20 Hex Lock	24	76-202-A	1	Axle
8	79-40-A	1	Clutch Cable	25	76-58-A	1	Roller
9	515-8-10	2	8-32 x 3/8 Mach. Screw	26	79-174-A	1	Pivot Block 80-265-A
10	77-99-B	2	Truss Brace	27	77-115-B	1	Platform Sleeve
11	65-516-24	2	Bolt 5/16-18 x 1 1/2 Hex Hd.	29	69-516-28	1	Bolt 5/16-18 x 1 1/2 Contour
12	76-178-A	4	Handle Insert	30	MA-426	1	Dust Bag Assy.
13	945-516	4	Flat Washer 5/16	31	63-304-A	2	Bag Hook
14	77-113-B	1	Frame - Bag Platform	32	365-8	2	8-32 Hex Lock Nut
15	54-227-A	2	Spacer	33	78-130-A	1	Caster Bearing
16	365-516	5	Nut 5/16-18 Hex Lock	34	65-421-C	1	Deflector Weldment 82-194-C
17	69-416-20	2	Bolt 1/4-20 x 1 1/4 Contour Head	35	79-38-A	1	Retainer Ring

CHASSIS ASSEMBLY

PARTS LIST

REF. NO.	PART NO.	QTY. PER UNIT	DESCRIPTION	REF. NO.	PART NO.	QTY. PER UNIT	DESCRIPTION
1	78-156	1	Engine	45	65-416-12	4	¼-20x¾ Hex Hd. Bolt
2	65-516-32	3	5/16-18x2 Hex Hd. Bolt	46	78-69-C	2	Dust Cover
3	77-112-B	1	Adapter Ring	47	50-33-A	2	⅝" Special Washer
4	77-19-A	1	Clutch Spring	48	74-78-AB	1	Pinion, R.H.
5	79-20-A	1	Special Guard Spacer	49	74-79-LB	1	Pinion L.H.
6	79-32-A	1	Retainer Clutch Arm Weldment	50	74-80-A	4	Roller - Pinion
7	365-416	3	¼-20 Nut, Lock, Hex	51	56-94	2	Pinion Cover 80-01-B
8	79-88-A	2	Bolt, Shoulder	52	505-416-8	4	¼-20x½ Flt. Hd. Screw
9	SA-778-A	2	Sprocket Assy. with Bearings	53	58-05-A	7	⅜" Special Washer
10	945-816	1	Washer, Flat ½"	54	47-282-A	1	Master Link
11	363-816	2	Nut, ½-20 Hex Lock	55	58-06-A	2	Sleeve
12	335-416	2	¼-20 Plain Hex Nut	56	58-14-D-1	2	Wheel
13	935-416	2	¼ Spring Lock Washer	57	75-88-C	2	Tire
14	79-79-D	1	Guard	58	935-516	2	Lockwasher 5/16
15	77-27-A	4	Self-Tapping Screws	59	60-816-56	2	½-20x3½ Hex Hd. Bolt
16	64-43-A	2	Hi-Pro Key #505	60	76-37-A	4	Plastic Tube
17	79-81-D	1	Upper Side Plate	61	65-416-10	1	¼-20x¾ Hex Hd. Bolt
18	65-516-16	4	5/16-18x1 Hex Hd. Bolt	62	78-63-B	1	Side Plate Support
19	79-155-B	1	Bearing Support	63	363-816	2	½-20 Hex Lock Nut
20	79-24-A	1	Bearing	64	70-516-12	1	5/16-18x¾ Carriage Bolt
21	79-91-A	1	Chain, Roller, #35	65	70-516-32	1	5/16-18x2 Carriage Bolt
22	68-60-A	1	Bearing	66	66-216-B	1	Front Roller Support
23	67-521	1	Roll Pin	67	64-167-B	1	Roller Fork
24	SA-746-B	1	Clutch Assy.	68	64-169-A	1	Roller
25	79-76-A	1	Clutch Shaft	69	65-616-48	1	⅜-16x3 Hex Hd. Bolt
26	78-197-A	1	Flexible Coupling Assy.	70	79-94-A	1	Knob, Plastic, 5/16-18
27	78-195-B	1	Drive Sprocket Assy.	71	935-516	1	5/16 Lock Washer
28	365-416	15	¼-20 Hex Lock Nut	72	67-521	1	Roll Pin
29	63-132-A	1	Hi-Pro Key, #606	73	79-83-RC	1	Side Plate, R.H.
30	63-280	1	Upper Blower Housing Weldment ^{81-144-D}	74	77-106-A	1	Fan Spacer
31	365-516	16	5/16-18 Hex Lock Nut	75	400-97	1	Rubber Shim 64-178-A-9.5
32	77-103-A	1	Blade Adapter	76	400-6	2	Rubber Shim 64-178-A-C
33	63-287-B	1	Fan Blade Assy.	77	79-39-A	1	Hi-Pro Key, #504
34	63-305-A	1	Anchor Plate	78	79-78-D	1	Support Clutch Arm
35	935-516	1	⅜ Lock Washer	79	78-188-B	1	Clutch Arm
36	65-516-20	2	5/16-18x1½ Hex Hd. Bolt	80	65-416-36	1	¼-20x2½ Hex Hd. Bolt
37	60-616-40	1	⅜-24x2½ Hex Hd. Bolt	81	79-77-A	1	Clutch Control Rod
38	400-1	1	Rubber Shim 64-178-A	82	365-616	1	Lock Nut ⅜-16
39	63-299	1	Rubber Molding	83	564-C-416-6	3	¼-20x¾ Allen Hd. Set Screw
40	67-76	1	Nozzle & Lower Blower 80-308-F	84	65-516-8	2	5/16-18x½ Hex Hd. Bolt
41	79-75-A	1	Drive Shaft	85	945-1016	2	⅝ Flat Washer
42	65-416-16	2	¼-20x1 Hex Hd. Bolt	86	65-416-12	12	¼-20x¾ Hex Hd. Bolt
43	78-70-B-M2	2	Bearing Support	87	945-516	2	Flat Washer 5/16
44	79-82-LC	1	Side Plate, L.H.	88	65-516-12	6	5/16-18x¾ Hex Hd. Bolt
				89	SA-799-B	1	Cross Brace Assy.
				90	945-416	2	Flat Washer, ¼

CHASSIS ASSEMBLY



AF-233

