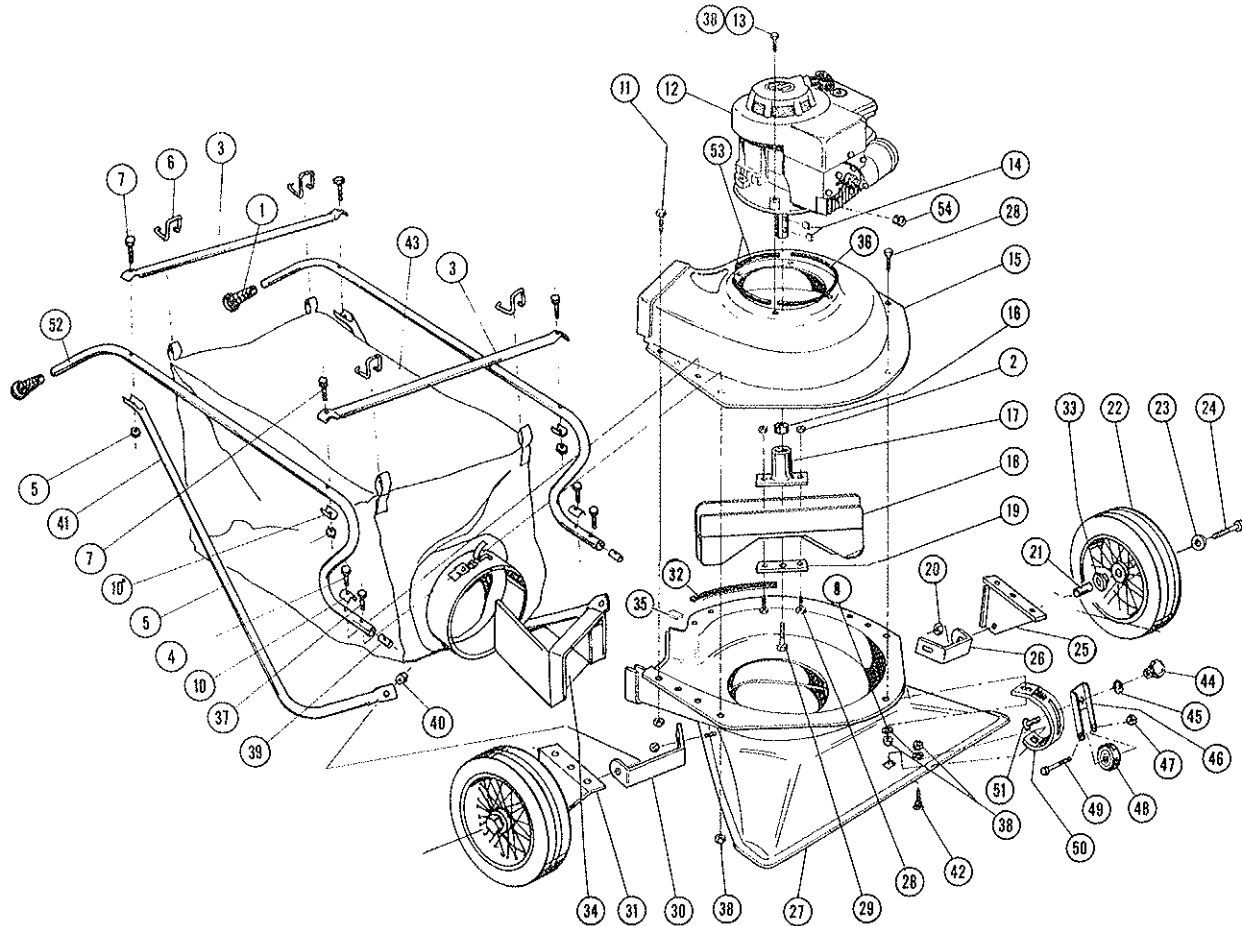


SV-7630 SCAVENGER®

30" VACUUM SWEEPER

SECTION 6



350885 DUST BAG

PARTS LIST

Ref. No.	Part No.	Qty. Per Unit	Description of Part	Ref. No.	Part No.	Qty. Per Unit	Description of Part
1	64-152-A	2	Grip-Handle	28	65-516-16	3	Bolt-Hex Head $\frac{5}{16}$ -18 x 1"
2	364-516	2	Nut Hex Lock Esna $\frac{5}{16}$ -18 Thin	29	60-616-28-	1	Bolt-Hex Head $\frac{3}{8}$ -24 x 1 $\frac{3}{4}$
3	63-275-B	2	Cross Bar	30	75-196-B	1	Brace-Wheel Long
4	65-516-28	2	Bolt-Hex Head $\frac{5}{16}$ -18 x 1 $\frac{3}{4}$	31	75-192-C	1	Bracket-Wheel R.H.
5	364-416	4	Nut-Hex Lock Esna $\frac{1}{4}$ -20 Thin	32	63-299-A	1	Molding-Rubber
6	63-304-A	4	Hook-Bag Hanger	33	73-97-A	4	Bearing-Wheel
7	65-416-24	4	Bolt-Hex Head $\frac{1}{4}$ -20 x 1 $\frac{1}{2}$	34	65-421-C	1	Deflector 82-194-C
8	945-516	2	Washer-Flat $\frac{5}{16}$ SAE	35	400-1	1	Rub-R-Shim #64 $\frac{5}{16}$ x $\frac{3}{8}$ 64-178-A
9	67-78-A	1	Siphon Pump (Not Shown)	36	400-9-1/2	1	Rub-R-Shim #64 $\frac{5}{16}$ x $\frac{3}{8}$ 64-178-A-9.5
10	59-77-A	4	Clamp-Tube	37	65-516-24	2	Bolt-Hex Head $\frac{5}{16}$ -18 x 1 $\frac{1}{2}$
11	65-516-12	5	Bolt-Hex Head $\frac{5}{16}$ -18 x $\frac{3}{4}$	38	365-516	16	Nut-Hex Esna $\frac{5}{16}$ -18
12	65-428-A	1	Engine	39	75-30-A	2	Insert-Handle
13	65-516-20	3	Bolt-Hex Head $\frac{5}{16}$ -18 x 1 $\frac{1}{4}$	40	363-8	2	Nut-Hex Lock
14	64-43-A	2	Key-Hi Pro HP-505	41	75-197-C	2	Handle-Truss Brace
15	63-280-F	1	Housing-Upper 82-04-C	42	73-516-12	1	Step-Bolt $\frac{5}{16}$ -18 x $\frac{3}{4}$
16	64-25-A	1	Spacer-Engine Shaft 73-414-A	43	64-171-F	1	Dust Bag MA-426-1
17	63-298-A	1	Adapter-Fan Blade	44	59-47-B	1	Knob-Adjusting
18	63-287-B	1	Fan Assembly	45	935-516	1	Washer-Lock $\frac{5}{16}$
19	63-305-A	1	Plate-Retainer	46	64-167-B	1	Fork-Roller
20	368-816	2	Nut-Hex $\frac{1}{2}$ -20 N.F.	47	365-616	1	Nut-Hex Lock $\frac{3}{8}$ -16
21	73-33-A	2	Bushing-Wheel	48	64-169-A	1	Wheel-With Bushing
22	73-29-A	2	Wheel SA-357-C	49	65-616-48	1	Bolt-Hex Head $\frac{3}{8}$ -16 x 3"
23	945-816	2	Washer-Flat SAE $\frac{1}{2}$	50	66-216-B	1	Support-Front Roller
24	60-816-80	2	Bolt-Hex Hd. $\frac{1}{2}$ -20 x 5	51	70-516-32	1	Bolt-Carriage $\frac{5}{16}$ -18 x 2"
25	75-193-C	1	Bracket-Wheel L.H.	52	75-198-D	1	Handle
26	75-195-B	1	Brace-Wheel Short	53	400-6	2	Rub-R-Shim #64 $\frac{5}{16}$ x $\frac{3}{8}$ 64-178-A-6
27	67-76-F	1	Nozzle Assembly 80-308-C	54	64-84-A	1	Plug-Rubber