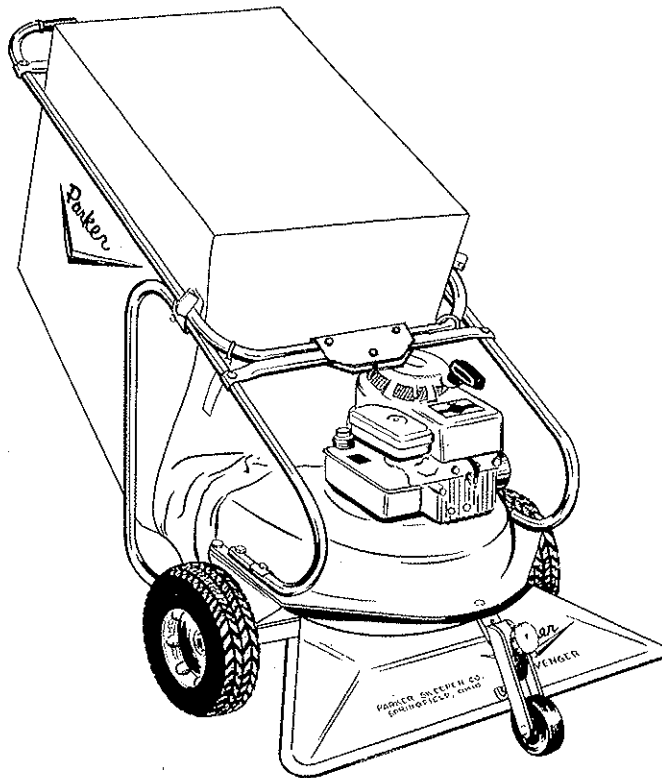


ASSEMBLY INSTRUCTIONS
OPERATING INSTRUCTIONS
AND PARTS LIST
FOR

Parker

SV-6830 SCAVENGER

30" VACUUM SWEEPER
AND
OPTIONAL EQUIPMENT



NOTICE: These instructions were written to assist you in assembling your Lawn Sweeper quickly and correctly. Read instructions thoroughly before attempting assembly so that you are familiar with the complete procedure.

PARKER SWEEPER COMPANY

BOX 720

Printed in U.S.A.

SPRINGFIELD, OHIO

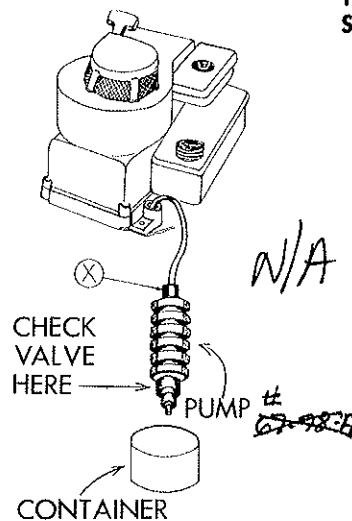
SV-6830 SCAVENGER

ASSEMBLY INSTRUCTIONS

1. Remove sweeper from carton and place on ground or floor in an upright position.
2. Remove upper handle parts from carton. Place handle bracket, Ref. 8, Fig. 2, over the lower end of handles, Ref. 52 and 53 and secure in place with bolts, Ref. 7. Run $\frac{1}{4}$ " thin nuts, Ref. 5, onto bolts, (do not tighten). Next, place the cross brace, Ref. 3, Fig. 2, on upper part of handles, insert $\frac{1}{4} \times 1\frac{1}{4}$ " bolts, Ref. 4, apply clamps, Ref. 10, and run $\frac{1}{4}$ " thin nuts, Ref. 5 onto bolts loosely. Place assembly with Ref. 8, over cross brace, as shown on front cover. Drop handles into channel locks, Ref. 9 and 33, which are assembled on machine. Insert $\frac{1}{4} \times 1\frac{1}{4}$ " carriage bolt, Ref. 54, through (2) square holes in bracket, apply $\frac{1}{4}$ " spring lockwasher and run on wing nut, Ref. 55. Close cams on channel locks. Tighten four nuts, Ref. 5, and handle is ready to use.
3. The bag hooks, Ref. 6, Fig. 2, are taped together and placed in bag. Remove these and insert them in the bag support straps. Install the bag as shown in Fig. 2, by placing the four bag hooks over the cross bars.
4. Fasten bag to debris opening on sweeper with bag strap.
5. Operate engine at Full Throttle for best results.
6. Assemble roller and Fork assembly to front roller support, Ref. 50, Fig. 2, by inserting carriage bolt, Ref. 51, Fig. 2, into slot from the back side. Place Fork over carriage bolt and align with roller support. Place lock washer, Ref. 45, Fig. 2, over carriage bolt; now install adjusting knob, Ref. 44, Fig. 2, on carriage bolt. Adjust roller to maintain desired height of Scavenger housing and tighten adjusting knob.

OPERATING INSTRUCTIONS FOR SWEEPER

1. **IMPORTANT:** Read engine manual and add proper gasoline and oil to engine.
2. Choke engine each time it is started (see engine manual). Throttle is located on engine.
3. **MAKE SURE BAG OR CONVERTA-BLO IS IN PLACE WHENEVER VAC IS BEING PUSHED.**
4. To insure dust bag breathing, empty bag often, never allow debris to remain in bag after use.
5. No lubrication is required on Vac (except engine).
6. Clean and re-oil air cleaner every 25 hours (more often under dusty conditions — see engine manual).
7. To adjust height of handle, remove wing nut, Ref. 55, and carriage bolt, Ref. 54. Release cams on channel locks. Remove upper handle assembly from frame and turn over. Reassemble onto lower cross brace, replace carriage bolt, lock washer and wing nut, and close cams.



To Drain Crankcase Using Siphon Pump:

1. Place this end thru oil fill hole of engine.
2. Hold pump below bottom of crankcase.
3. Squeeze pump several times until oil appears in tube above pump.
4. Disconnect at "X" before oil enters pump, and allow oil to siphon into container.

Note: Before starting draining process, warm up engine to heat oil for easier flowing.

OPERATING INSTRUCTIONS FOR CONVERTA-BLO — OPTIONAL EQUIPMENT

1. To convert the Scavenger Vacuum Sweeper to high velocity blowing for cleaning and drying, proceed as follows:
2. Remove the bag and deflector from the machine. The deflector is removed from the blower housing by lifting vertically to slide the channel section over the bag retainer bars.
3. Next install the Converta-Blo attachment by sliding the channel section over the bag retainer bars, Fig. 1. The unit is now ready for blowing.
4. Care should be exercised in operating this machine as a blower. Do not allow persons to stand in the area of the blower discharge where debris is being moved. The movement of air is equivalent to approximately a 60 m.p.h. wind.
5. Operate engine at Full Throttle for best results.

IMPORTANT — Always Give the Following Information When Ordering Repair Parts:

- | | |
|-------------------------------|---|
| 1. PART NUMBER (Not Ref. No.) | 4. SERIAL No. (Found on Guarantee Card) |
| 2. QUANTITY NEEDED | 5. MODEL No. SV-6830 |
| 3. DESCRIPTION OF PART | |

If unable to obtain parts locally, write down above information and send to:
PARKER SWEEPER CO., BOX 720, SPRINGFIELD, OHIO 45501

Your unit is right hand (R.H.) or left hand (L.H.) as you stand behind it.

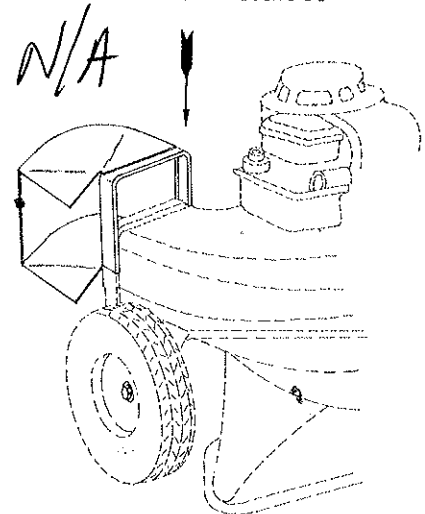


FIG. 1

SCAVENGER VACUUM SWEEPER	SIZE 30"	PRODUCTION YEAR 1968	MODEL No. SV-6830
-------------------------------------	--------------------	--------------------------------	-----------------------------

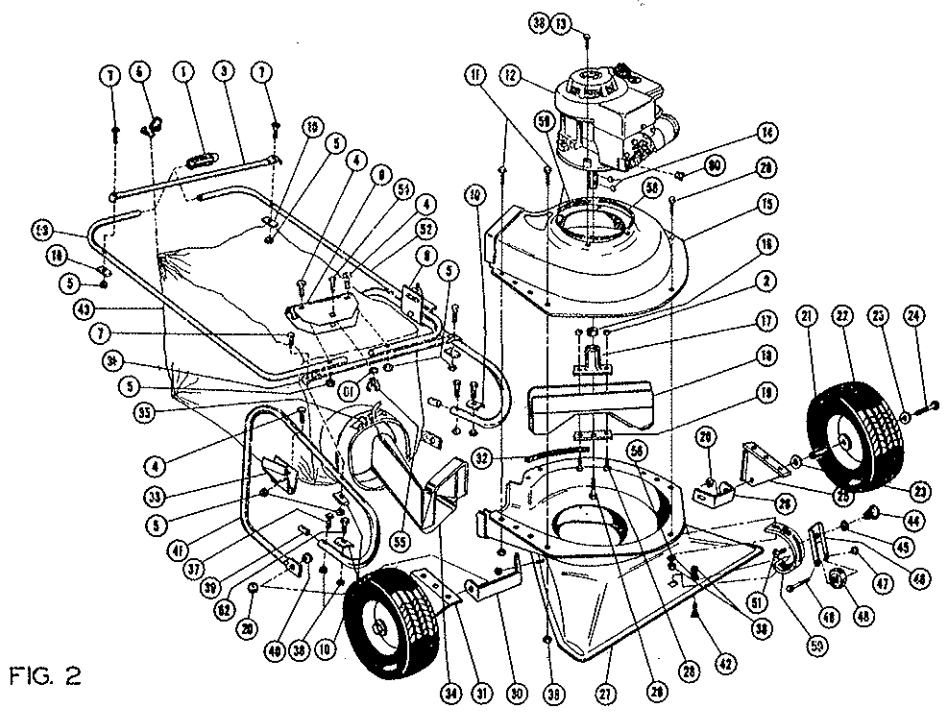


FIG. 2

PARTS LIST

Ref. No.	Part No.	Qty. Per Unit	Description of Part	Ref. No.	Part No.	Qty. Per Unit	Description of Part
1	64-152-A	2	Grip - Handle	31	63-283-RC	1	Bracket - Wheel R.H.
2	364-516	2	Nut Hex Lock Esna 3/8-18 Thin	32	63-299-A	1	Molding - Rubber
3	63-275-B	1	Cross Bar - Upper	33	65-419-RA	1	Bracket - Cam Lock R.H.
4	65-416-24	4	Bolt - Hex Head 1/4-20 x 1 1/2	34	65-421-C	1	Deflector USE - 82-194-C
5	364-416	8	Nut - Hex Lock Esna 1/4-20 Thin	35	63-274-A	1	Strap and Buckle Assembly USE - SA-794
6	63-304-A	4	Hook - Bag Hanger	36	68-67-B	1	Cross-Brace - Lower
7	65-416-24	4	Bolt - Hex Head 1/4-20 x 1 1/2	37	65-516-24	2	Bolt - Hex Head 3/8-18 x 1 1/2
8	68-72-A	1	Handle Bracket	38	365-516	16	Nut - Hex Esna 3/8-18
9	65-420-LA	1	Bracket - Cam Lock L.H.	39	61-13-A	2	Insert - Handle USE - 75-30-A
10	59-77-A	6	Clamp - Tube	40	367-816	2	Nut - Hex Jam Lock 1/2-20 N.F.
11	65-516-12	5	Bolt - Hex Head 3/8-18 x 3/4	41	67-71-C	2	Handle - Lower USE - 65-414-C
12	65-428-A	1	Engine	42	73-516-12	1	Step - Bolt 3/8-18 x 3/4
13	65-516-20	3	Bolt - Hex Head 3/8-18 x 1 1/2	43	64-171-F	1	Dust Bag USE MA-426-1
14	64-43-A	2	Key - Hi Pro HP-505	44	59-47-B	1	Knob - Adjusting
15	63-280-F	1	Housing - Upper	45	935-516	1	Washer - Lock 3/8
16	64-25-A	1	Spacer - Engine Shaft	46	64-167-B	1	Fork - Roller
17	63-298-A	1	Adapter - Fan Blade	47	365-616	1	Nut - Hex Lock 3/8-16
18	63-287-B	1	Fan Assembly	48	64-169-A	1	Wheel - With Bushing
19	63-305-A	1	Plate - Retainer	49	65-616-48	1	Bolt - Hex Head 3/8-16 x 3"
20	325-816	2	Nut - Hex 1/2-20 N.F.	50	66-216-B	1	Support - Front Roller
21	66-244-A	2	Bushing - Wheel	51	70-516-32	1	Bolt - Carriage 3/8-18 x 2"
22	66-243-B	2	Wheel	52	68-68-LC	1	Upper Handle L.H.
23	945-816	4	Washer - Flat SAE 1/2	53	68-69-RC	1	Upper Handle R.H.
24	66-245-A	2	Axle	54	70-416-20	1	Bolt - Carriage 1/2-20 x 1 1/4
25	63-283-LC	1	Bracket - Wheel L.H.	55	351-416-18	1	Nut - Wing 1/2-20 x 1 1/4
26	63-269-B	1	Brace - Wheel Short	56	945-516	2	Washer - Flat 3/8 SAE
27	63-297-F	1	Nozzle Assembly	57	67-78-A	1	Siphon Pump
28	65-516-16	3	Bolt - Hex Head 3/8-18 x 1"	58	400-9 1/2	1	Rub-R-Shim #64 3/8 x 3/8
29	60-616-28-1	1	Bolt - Hex Head 3/4-24 x 1 1/2	59	400-6	2	Rub-R-Shim #64 3/8 x 3/8
30	66-251-A	1	Brace - Wheel Long	60	64-84-A	1	Plug - Rubber
				61	935-416	1	Washer - Lock 1/2
				62	65-516-28	2	Bolt - Hex Head 3/8-18 x 1 1/4

BAG PLATFORM

OPTIONAL EQUIPMENT

PARTS LIST MA-136-D

Ref. No.	Part No.	Qty. Per Unit	Description of Part
1	63-52-A	1	Roller Sub Assembly
2	64-189-A	1	Strap Assembly
3	67-73-C	1	Bag Platform
4	67-74-B	1	Brace Bag Platform
5	67-81-C	1	Bottom
6	60-29-B	1	Fork Swivel Caster
7	45-71-A	1	Bushing Caster Roller
8	59-68-B	1	Block - Pivot Bearing
9	64-188-A	1	Buckle Slide
10	67-83-A	1	Strap Hook
11	59-77-A	4	Clamp - Tube
12	54-27-A	3	Spacer
13	55-156-A	2	Washer - Special
14	65-416-20	2	Bolt - Hex Hd. 1/4-20 x 1 1/4
15	65-416-24	2	Bolt - Hex Hd. 1/4-20 x 1 1/2
16	65-416-44	1	Bolt - Hex Hd. 1/4-20 x 2 3/4
17	526-516-28	1	Bolt - Truss Hd. 3/8-18 x 1 3/4
18	364-416	5	Nut - Hex Lock 1/4-20 Thin
19	364-516	1	Nut - Hex Lock 3/8-18 Thin
20	945-416	4	Washer - Flat SAE 1/4

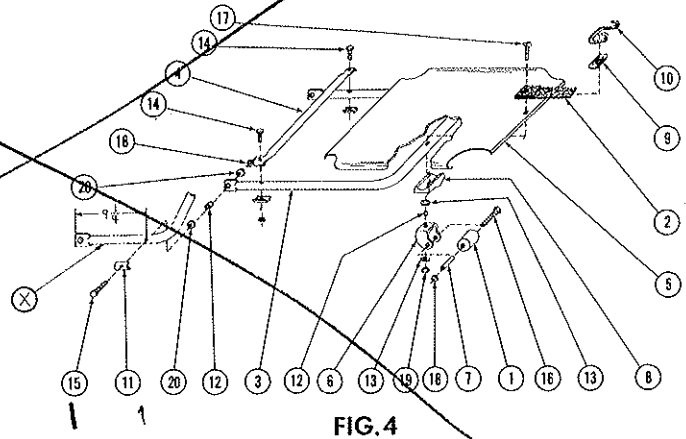


FIG. 4

4" HOSE KIT (WHITE)

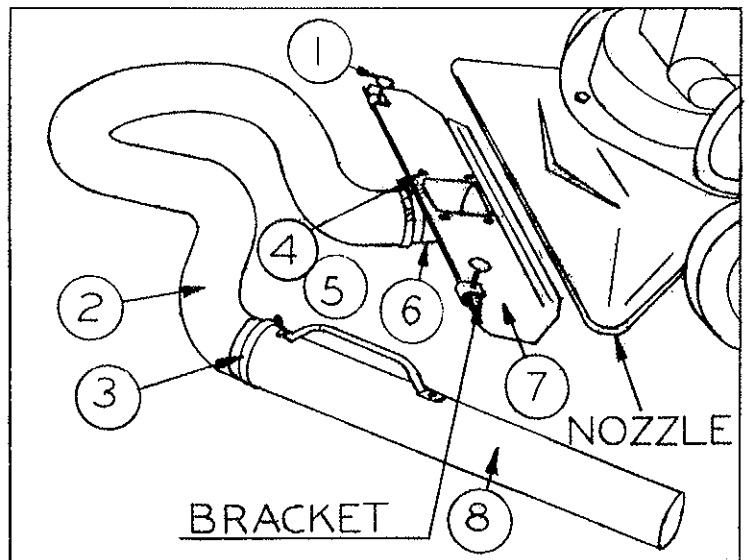
OPTIONAL EQUIPMENT

SV-6430 SCAVENGER AND NH-6425 VAC-25

STOCK No. ~~64-29-D~~ R/W MA-482-C
 + SV-6830

ASSEMBLY INSTRUCTIONS

1. Fit one end of hose over aluminum casting Ref. 6, and hold in place with clamp, Ref. 3.
2. Fit other end of hose over extension, Ref. 8, and hold with other clamp.
3. IMPORTANT - Do not use the two thumbscrews Ref. 1, yet. Instead, tip machine back so nozzle is off ground.
4. Pick up cover piece, Ref. 7, and position under nozzle. TO BE CORRECTLY IN PLACE, THE BACK EDGE OF COVER PIECE MUST GO UP INSIDE NOZZLE WHILE THE TWO BRACKETS ON THE FRONT EDGE MUST HOOK UP OVER FRONT OF NOZZLE.
5. Screw thumbscrews into holes in brackets and tighten down.
6. When using hose kit follow regular sweeper operation instructions. Note: Do not pull sweeper by hose.



PARTS LIST

Ref. No.	Part No.	Qty. Per Unit	Description of Part	Ref. No.	Part No.	Qty. Per Unit	Description of Part
1	64-44-A	1	Thumbscrew	5	936-10	4	Lock Washer No. 10
2	64-32-A	1	4" Hose	6	64-30-C	1	Casting
3	64-36-A	2	Clamp	7	64-45-B	1	Cover
4	515-10-6	4	Rd. Hd. Screw 10-24 x 3/8	8	64-35-C	1	Extension

