

SCAVENGER VACUUM SWEEPER	SIZE 30"	PRODUCTION YEAR 1967	MODEL No. SV-6730
-------------------------------------	---------------------	---------------------------------	------------------------------

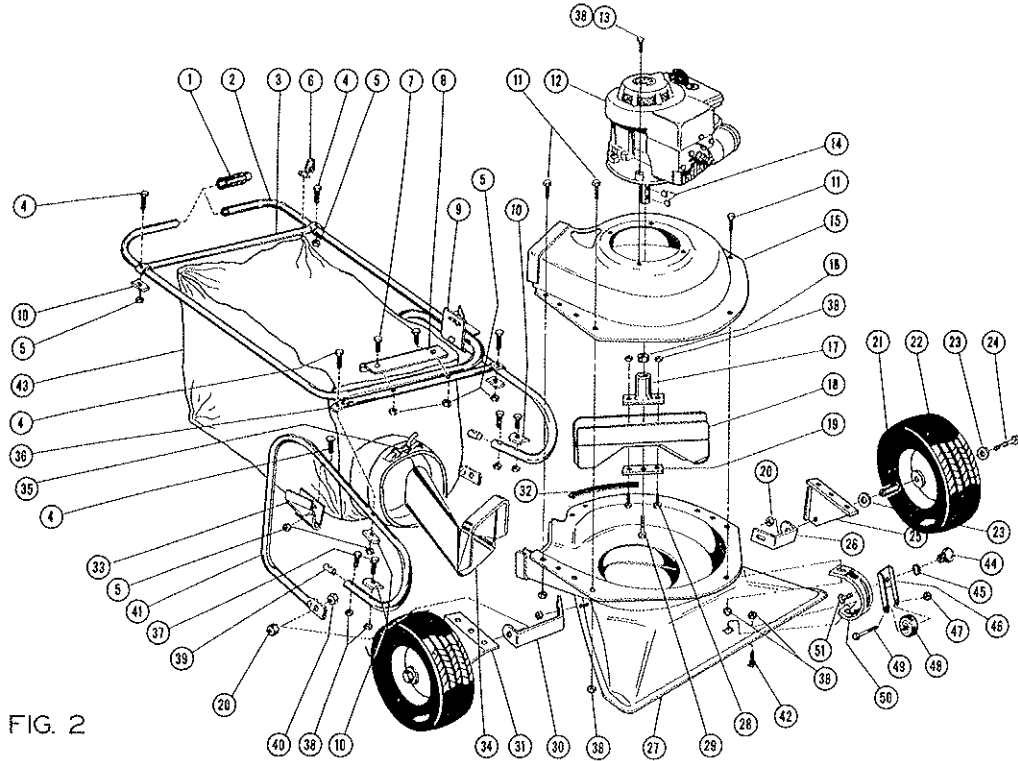


FIG. 2

PARTS LIST

Ref. No.	Part No.	Qty. Per Unit	Description of Part	Ref. No.	Part No.	Qty. Per Unit	Description of Part
1	64-152-A	2	Grip Handle	27	63-297-F	1	Nozzle Assembly <i>USE 67-76-F</i>
2	65-413-C	1	Handle Upper	28	65-516-16	2	Bolt-Hex Head- $\frac{5}{16}$ -18 x 1
3	63-275-B	1	Cross Bar-Upper	29	60-616-28-1	1	Bolt-Hex Head- $\frac{3}{8}$ -24 x 1 $\frac{1}{4}$
4	65-416-20	6	Bolt-Hex Head- $\frac{1}{4}$ -20 x 1 $\frac{1}{4}$	30	66-251-A	1	Brace Wheel Long
5	364-416	8	Nut-Hex Lock Esna- $\frac{1}{4}$ -20 thin	31	63-283-RC	1	Bracket Wheel R.H.
6	63-304-A	4	Hook-Bag Hanger	32	63-299-A	1	Molding Rubber
7	65-416-16	2	Bolt-Hex Head- $\frac{1}{4}$ -20 x 1	33	65-419-RA	1	Bracket Cam Lock R.H.
8	65-416-A	1	Handle-Bracket	34	65-421-C	1	Deflector <i>USE 82-194-C</i>
9	65-420-LA	1	Bracket Cam Lock L.H.	35	63-274-A	1	Strap and Buckle Assembly <i>USE SA-794-E</i>
10	59-77-A	6	Clamp-Tube	36	65-415-B	1	Cross Brace Lower
11	65-516-12	6	Bolt-Hex Head- $\frac{5}{16}$ -18 x $\frac{3}{4}$	37	65-516-24	4	Bolt-Hex Head- $\frac{5}{16}$ -18 x 1 $\frac{1}{2}$
12	65-428-A	1	Engine	38	365-516	18	Nut-Hex Lock Esna- $\frac{3}{16}$ -18
13	65-516-20	3	Bolt-Hex Head- $\frac{5}{16}$ -18 x 1 $\frac{1}{4}$	39	61-13-A	2	Insert-Handle <i>USE 75-80-A</i>
14	64-43-A	2	Key-Hi Pro HP-505	40	367-816	2	Nut-Hex Jam Lock- $\frac{1}{2}$ -20 N.F.
15	63-280-F	1	Housing-Upper	41	65-414-C	2	Handle Lower
16	64-25-A	1	Spacer-Engine Shaft <i>USE # 73-414A</i>	42	66-237-A	1	Stop Bolt $\frac{5}{16}$-18 x $\frac{3}{4}$
17	63-298-A	1	Adaptor-Fan Blade	43	64-171-F	1	Dust Bag <i>USE MA-426-1</i> \rightarrow <i>USE</i>
18	63-287-B	1	Fan Assembly	44	59-47-B	1	Knob-Adjusting
19	63-305-A	1	Plate-Retainer	45	935-516	1	Washer-Lock $\frac{3}{16}$
20	325-816	2	Nut-Hex- $\frac{1}{2}$ -20 N.F.	46	64-167-B	1	Fork-Roller
21	66-244-A	2	Bushing Wheel	47	365-616	1	Nut-Hex Lock $\frac{3}{16}$ -16
22	66-243-B	2	Wheel	48	64-169-A	1	Wheel-With Bushing
23	945-816	4	Washer-Flat SAE $\frac{1}{2}$	49	65-616-48	1	Bolt-Hex Hd. $\frac{3}{8}$ -16 x 3
24	66-245-A	2	Axle	50	66-216-B	1	Support Front Roller
25	63-284-LC	1	Bracket Wheel L.H.	51	70-516-32	1	Bolt-Carriage- $\frac{5}{16}$ -18 x 2
26	63-269-B	1	Brace Wheel Short				