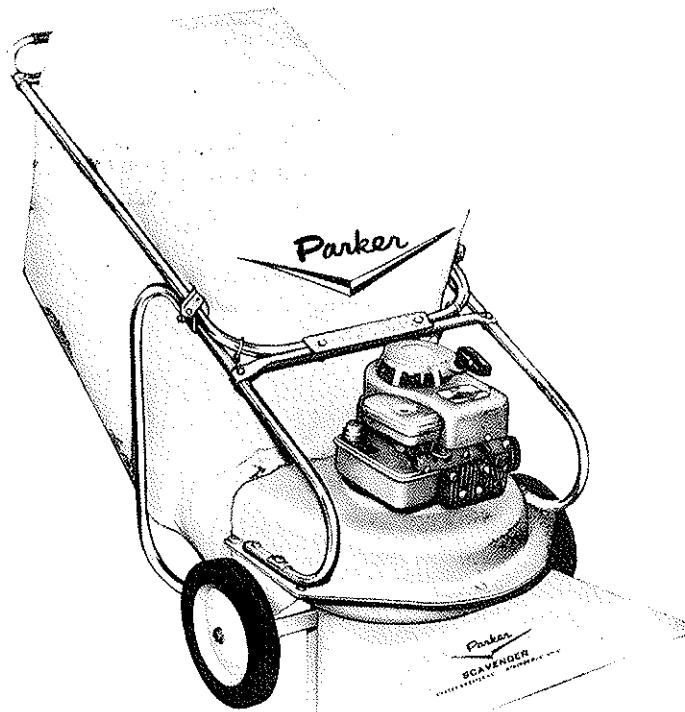


ASSEMBLY INSTRUCTIONS
OPERATING INSTRUCTIONS
AND PARTS LIST
FOR

Parker

SV-6630 SCAVENGER

30" VACUUM SWEEPER
AND
CONVERTA-BLO



NOTICE: These instructions were written to assist you in assembling your Vacuum Sweeper quickly and correctly. Read instructions thoroughly before attempting assembly so that you are familiar with the complete picture.

PARKER SWEEPER COMPANY

BOX 720

SPRINGFIELD, OHIO 45501

ASSEMBLY INSTRUCTIONS

1. Remove sweeper from carton and place on ground or floor in an upright position.
2. Remove upper part of handle from machine by unlocking cams. Insert lower end under anchor plate, Item 8, Figure 2. Place handle in channel locks, Items 9 and 33, Figure 2 and secure into position by turning locking cams into place.
3. The bag hooks, Item 6, Figure 2, are taped to the cross bar on the upper handle. Remove these and insert them in the bag support straps. Install the bag as shown in Figure 3, by placing the four bag hooks over the cross bars.
4. Fasten bag to debris opening on sweeper with bag strap.
5. Operate engine at Full Throttle for best results.

OPERATING INSTRUCTIONS FOR SWEEPER

1. **IMPORTANT:** Read engine manual and add proper gasoline and oil to engine.
2. Choke engine each time it is started (see engine manual).
3. **MAKE SURE BAG OR CONVERTA-BLO IS IN PLACE WHENEVER VAC IS BEING PUSHED.**
4. To insure dust bag breathing, empty bag often, never allow debris to remain in bag after use.
5. No lubrication is required on Vac (except engine).
6. Clean and re-oil air cleaner every 25 hours (more often under dusty conditions — see engine manual).

OPERATING INSTRUCTIONS FOR CONVERTA-BLO

1. To convert the Scavenger Vacuum Sweeper to high velocity blowing for cleaning and drying, proceed as follows:
2. Remove the bag and deflector from the machine. The deflector is removed from the blower housing by lifting vertically to slide the channel section over the bag retainer bars.
3. Next install the Converta-Blo attachment by sliding the channel section over the bag retainer bars, Figure 1. The unit is now ready for blowing.
4. Care should be exercised in operating this machine as a blower. Do not allow persons to stand in the area of the blower discharge where debris is being moved. The movement of air is equivalent to approximately a 60 m.p.h. wind.
5. Operate engine at Full Throttle for best results.

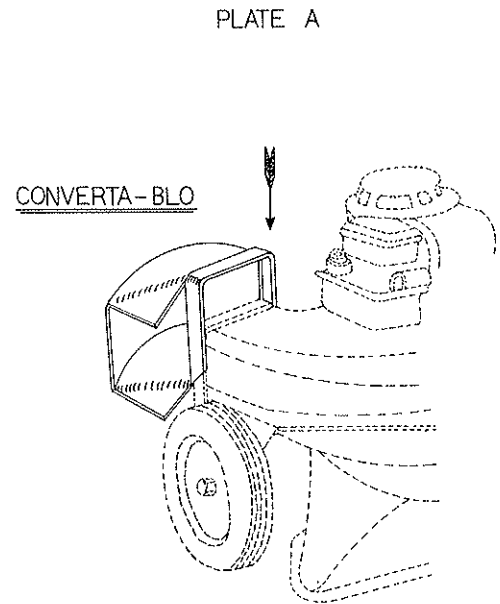


Fig. 1

ALWAYS GIVE THE FOLLOWING INFORMATION WHEN ORDERING REPAIR PARTS:

- | | |
|-------------------------------|---|
| 1. PART NUMBER (Not Ref. No.) | 4. SERIAL No. (Found on Guarantee Card) |
| 2. QUANTITY NEEDED | 5. MODEL No. SV-6630 |
| 3. DESCRIPTION OF PART | |

If unable to obtain parts locally, write down above information and send to:
PARKER SWEEPER CO., BOX 720, SPRINGFIELD, OHIO 45501

Your unit is right hand (R.H.) or left hand (L.H.) as you stand behind it.

IMPORTANT

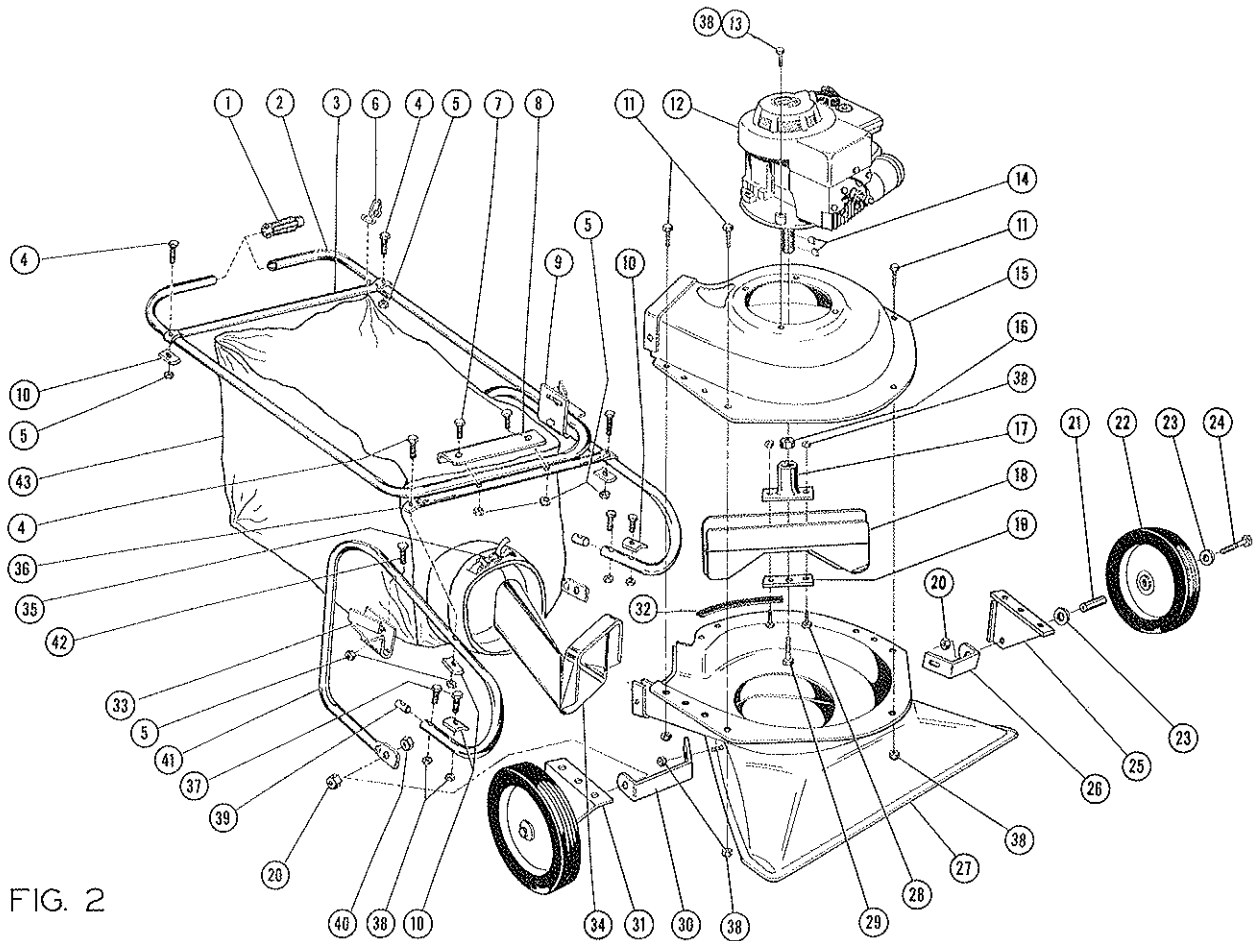


FIG. 2

PARTS LIST

Ref. No.	Part No.	Qty. Per Unit	Description of Part	Ref. No.	Part No.	Qty. Per Unit	Description of Part
1	64-152-A	2	Grip—Handle	23	945-816	4	Washer—Flat SAE ½
2	65-413-C	1	Handle—Upper	24	63-272-A	2	Axle
3	63-275-B	1	Cross Bar—Upper	25	63-284-EC	1	Bracket—Wheel L.H.
4	65-416-24	4	Bolt—Hex Head—¼-20 x 1½	26	63-269-B	1	Brace—Wheel Short
5	365-416	8	Nut—Hex Lock Esna—¼-20	27	63-297-F	1	Nozzle Assembly 67-76-F
6	63-304-A	4	Hook—Bag Hanger	28	65-516-16	2	Bolt—Hex Head—⅝-18 x 1
7	65-416-20	2	Bolt—Hex Head—¼-20 x 1¼	29	60-616-28-*	1	Bolt—Hex Head—⅜-24 x 1¼
8	65-416-A	1	Handle—Bracket	30	63-270-B	1	Brace—Wheel Long
9	65-420-1A	1	Bracket—Cam Lock L.H.	31	63-283-RC	1	Bracket—Wheel R.H.
10	59-77-A	6	Clamp—Tube	32	63-299-A	1	Molding—Rubber
11	65-516-12	6	Bolt—Hex Head—⅝-18 x ¾	33	65-419-RA	1	Bracket—Cam Lock R.H.
12	65-428-A	1	Engine	34	65-421-C	1	Deflector 82-194-C
13	65-516-20	3	Bolt—Hex Head—⅝-18 x 1¼	35	63-274-A	1	Strap and Buckle Assembly SA-794-B
14	64-43-A	2	Key—Hi Pro HP-505	36	65-415-B	1	Cross Brace—Lower
15	63-280-F	1	Housing—Upper 81-144-D	37	65-516-24	4	Bolt—Hex Head—⅝-18 x 1½
16	64-25-A	1	Spacer—Engine Shaft 73-414-A	38	365-516	17	Nut—Hex Lock Esna—⅝-18
17	63-298-A	1	Adaptor—Fan Blade	39	61-13-A	2	Insert—Handle 75-30-A
18	63-287-B	1	Fan Assembly	40	367-816	2	Nut—Hex Jam Lock—½-20 N.F.
19	63-305-A	1	Plate—Retainer	41	65-414-G	2	Handle—Lower
20	325-816	2	Nut—Hex—½-20 N.F.	42	70-416-24	2	Bolt—Carriage—¼-20 x 1½
21	63-276-A	2	Bushing—Wheel	43	64-171-F	1	Dust Bag MA-426-1
22	63-271-A	2	Wheel 66-228-4				

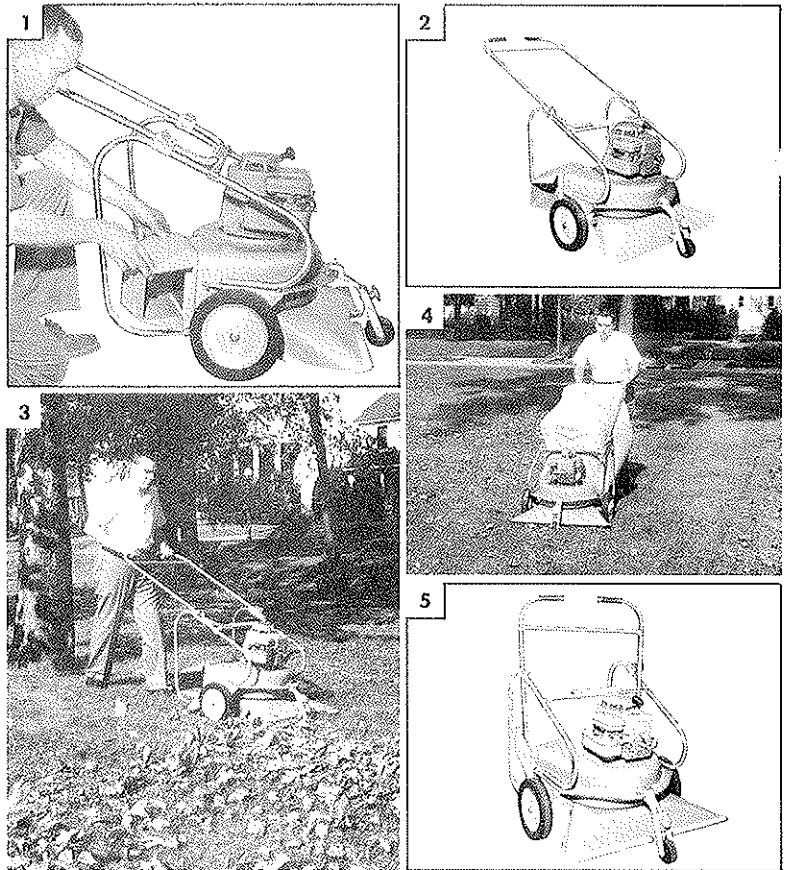
PARKER SWEEPER COMPANY

BOX 720

SPRINGFIELD, OHIO 45501

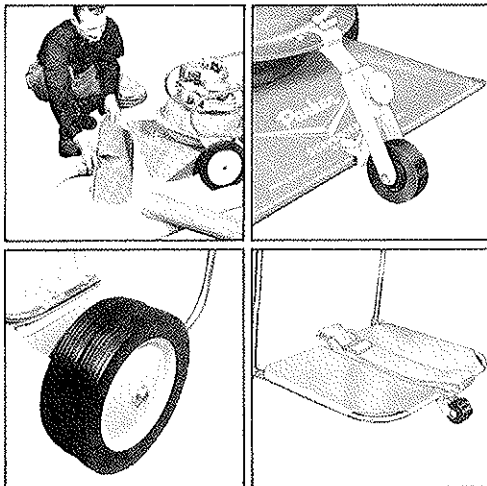
New Converta-blo Attachment for Scavenger (65-424-C) Makes Dual Purpose Unit

With the Converta-blo attachment the Scavenger is converted into a blower unit directing a blast of air without turbulence toward the ground, blowing debris up to 25 feet, windrows leaves—gathers them in a central area, cleans out around shrubs and flower beds, blows debris from ground cover. Then, debris is quickly cleared away with vacuum action of the Scavenger . . . in its dual role as a sweeper.



- 1 Remove Bag and Bag Deflector. Slide Converta-blo unit into place.
- 2 Converta-blo in position, ready for operation.
- 3 Blows leaves & litter into windrows or central point.
- 4 Vacuums open areas with utmost ease.
- 5 Handle removes for storage.

Optional Accessories for Scavenger



SNAP-ON HOSE ATTACHMENT (No. 64-29 D). Installed in seconds. The 4 in. x 10 ft. flexible hose, with metal tube and handle (overall length 12 ft.) is the ideal way for cleaning ground cover, under shrubs, flower beds, and plantings, and for cleaning inside bins, overhead shelves or similar hard-to-reach areas.

CLAMP-ON ROLLER KIT (No. 64-166 C). Solid rubber roller, clamps on in seconds. For easier handling and better control of the machine, especially for turf sweeping. Adjustable $\frac{3}{8}$ " to $3\frac{1}{2}$ ".

BAG PLATFORM (No. 64-170 D). Easily installed under bag. Supports bag when filled with heavy load.

DUAL WHEEL KIT (No. 64-27 C). For easier maneuvering in extra thick turf.

EXTRA HOSE SECTIONS (No. 64-32 A). Extra 10-ft. sections of flexible hose, easily threaded together, no adapters needed.

LUMITE® BAG (No. 64-38 A). Polypropelene material—won't fade, shrink, lose shape, mildew or rot. Ideal when dampness and moisture are a problem.

FLEECE-LINED BAG (No. 64-171 F). New heavy duty fleece-lined bags. Minimizes dust problems. Fits all previous models. Large 10 cu. ft. size—holds approximately 8 bushels of leaves.



PARKER SWEEPER COMPANY
Box 720 Springfield, Ohio