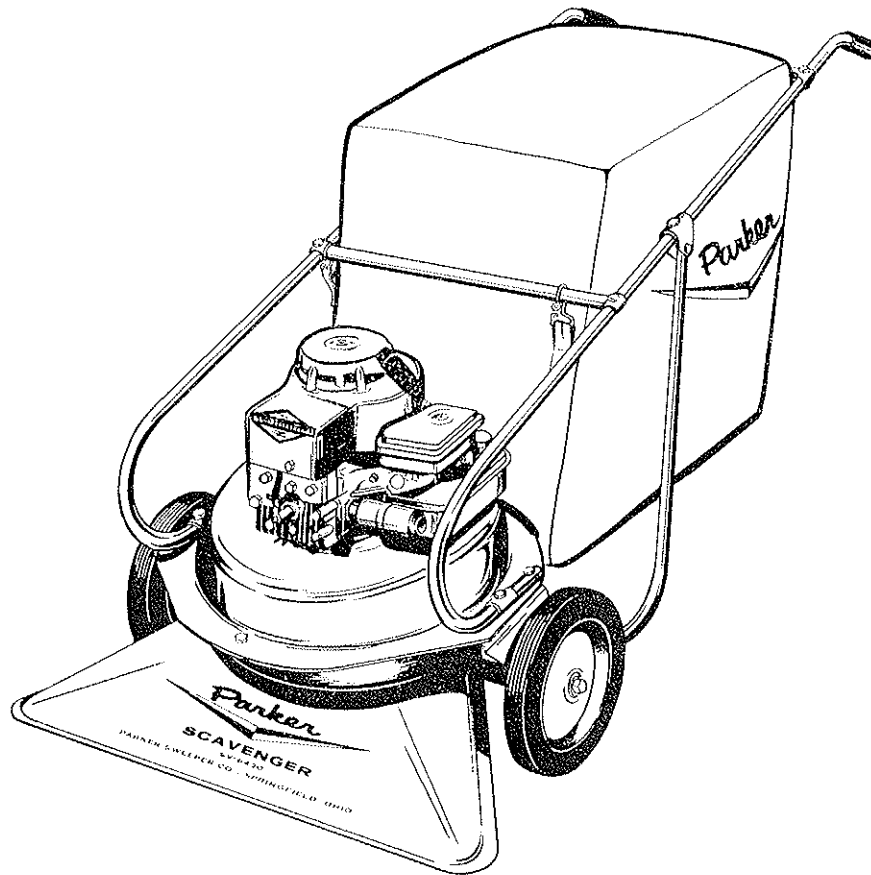


ASSEMBLY INSTRUCTIONS
OPERATING INSTRUCTIONS
AND PARTS LIST
FOR

Parker

SV-6430 SCAVENGER

30" VACUUM SWEEPER



NOTICE: These instructions were written to assist you in assembling your Vacuum Sweeper quickly and correctly. Read instructions thoroughly before attempting assembly so that you are familiar with the complete picture.

PARKER SWEEPER COMPANY

BOX 1728

SPRINGFIELD, OHIO 45501-1728

ASSEMBLY INSTRUCTIONS

1. Swing deflector down and fasten in place with the four Phillips screws provided. See Fig. 1.
2. Remove bolt at point "A", Fig. 1, on both sides of sweeper. Also remove bolt which holds steel plug in end of lower handle. Position lower handles on sweeper and replace bolts and nuts as they were.
3. Remove nut on end of each axle at point "B," Fig 2. Swing handle-support forward and position on to axle. Replace nuts.

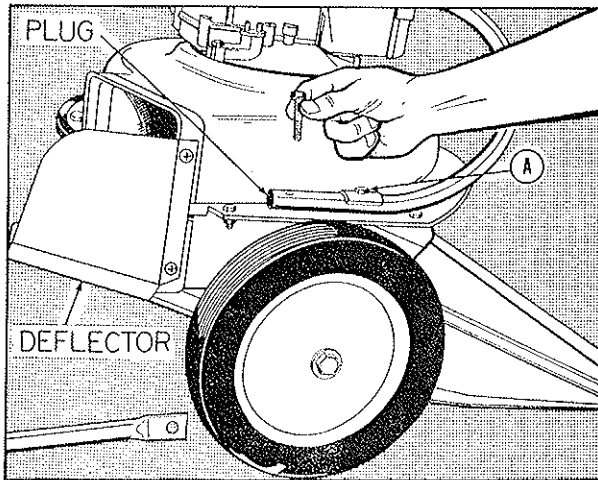


Fig. 1

4. Remove bolts at point "C," Fig. 2. Insert ends of upper handles into lower handles. Replace bolts and nuts.
5. Fasten bag to debris opening on sweeper with bag strap. Place four bag hooks over cross bars.

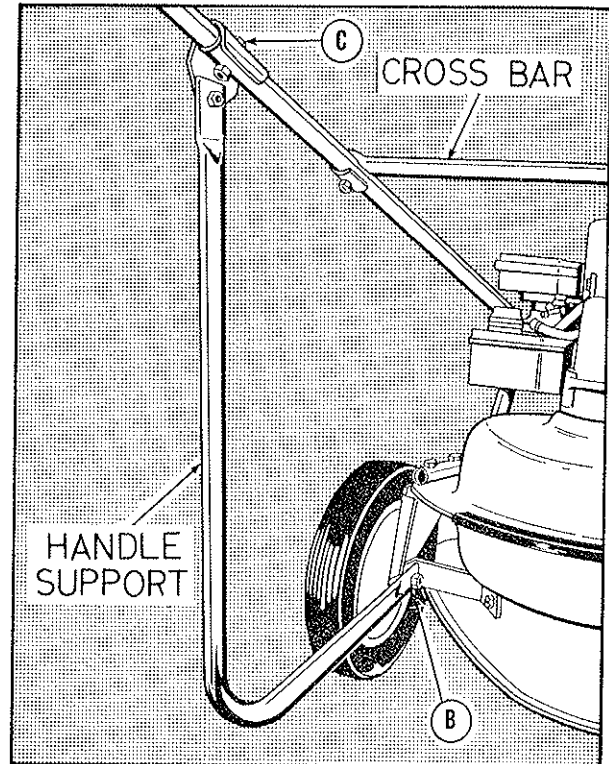


Fig. 2

OPERATING INSTRUCTIONS

1. **IMPORTANT:** Read engine manual and add proper gasoline and oil to engine.
2. Choke engine each time it is started (see engine manual).
3. Make sure bag is in place whenever Vac is being pushed.
4. To insure dust bag breathing, empty bag often, never allow debris to remain in bag after use.
5. No lubrication is required on Vac (except engine).
6. Clean and re-oil air cleaner every 25 hours (more often under dusty conditions --- see engine manual).

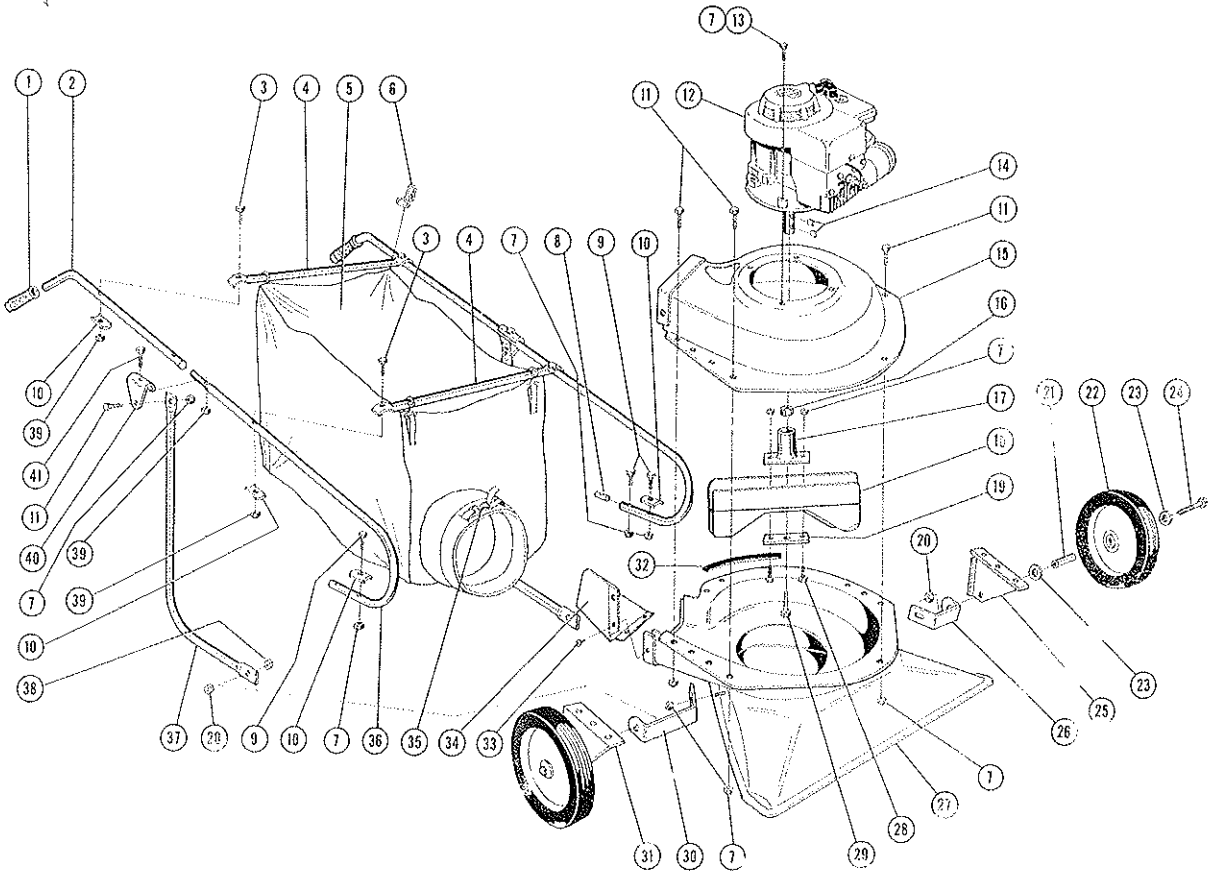
ALWAYS GIVE THE FOLLOWING INFORMATION WHEN ORDERING REPAIR PARTS:

IMPORTANT

1. PART NUMBER (Not Ref. No.)
2. QUANTITY NEEDED
3. DESCRIPTION OF PART
4. SERIAL No. (Found on Guarantee Card)
5. MODEL No. SV-6430

If unable to obtain parts locally, write down above information and send to:
PARKER SWEEPER CO., BOX 720, SPRINGFIELD, OHIO

*Standard hardware items may be purchased locally (see Parts List)



PARTS LIST

Ref. No.	Part No.	Qty. Per Unit	Description	Ref. No.	Part No.	Qty. Per Unit	Description
1	61-26-A	2	Grip—Handle	23	*945-816	4	Washer—Flat SAE 1/2
2	63-301-C	2	Handle—Upper	24	63-272-A	2	Axle
3	*65-416-24 ✓	4	Bolt—Hex Head—1/4-20 x 1 1/2	25	63-284-1C	1	Bracket—Wheel L.H.
4	63-275-B	2	Bar—Cross	26	63-269-B	1	Brace—Wheel—Short
5	63-278-F	1	Bag—Dust <i>MA-426</i>	27	63-306-C	1	Nozzle—Assembly <i>23</i>
6	63-304-A	4	Hook—Bag Hanger	28	*65-516-16 ✓	2	Bolt—Hex Head—3/8-18 x 1
7	365-516	20	Nut—Hex Lock—3/8-18	29	60-616-28	1	Bolt—Hex Head—3/8-24 x 1 3/4 (Nylon Insert)
8	61-13-A	2	Insert—Handle <i>75-30-A</i>	30	63-270-B	1	Brace—Wheel—Long
9	*65-516-24 ✓	4	Bolt—Hex Head—3/8-18 x 1 1/2	31	63-283-RE	1	Bracket—Wheel R.H.
10	59-77-A	6	Clamp—Tube	32	63-299-A	1	Molding—Rubber
11	*65-516-12 ✓	8	Bolt—Hex Head—3/8-18 x 3/4	33	59-54-A	4	Screw—Phillips Head Truss (Sems) <i>79-41-A</i>
12	63-269-A	1	Engine	34	63-277-D	1	Deflector <i>82-194-C</i>
13	*65-516-20 ✓	3	Bolt—Hex Head—3/8-18 x 1 1/4	35	63-274-A	1	Strap & Buckle Assembly <i>SA-794-B</i>
14	64-43-A	2	Key—Hi-Pro HP-505	36	63-302-G	2	Handle—Lower
15	63-280-F	1	Housing—Upper	37	63-303-C	2	Support—Handle
16	64-25-A	1	Spacer—Engine Shaft <i>73-414-A</i>	38	967-816	2	Nut—Hex Jam Lock 1/2-20 N.F.
17	63-298-A	1	Adapter—Fan Blade <i>81-193-A</i>	39	365-416	6	Nut—Hex Lock—1/4-20
18	63-287-B	1	Fan Assembly	40	57-182-A	2	Bracket—Handle
19	63-305-A	1	Plate—Retainer	41	*65-416-20	2	Bolt—Hex Head—1/4-20 x 1 1/4
20	*945-816	2	Nut—Hex—1/2-20 N.F.				
21	63-276-A	2	Bushing—Wheel				
22	63-271-A	2	Wheel				

11-11-11

11

11

11

11